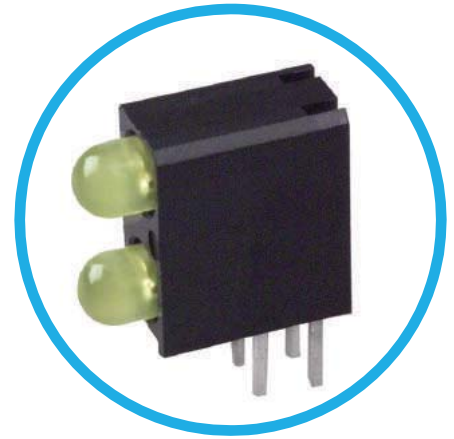


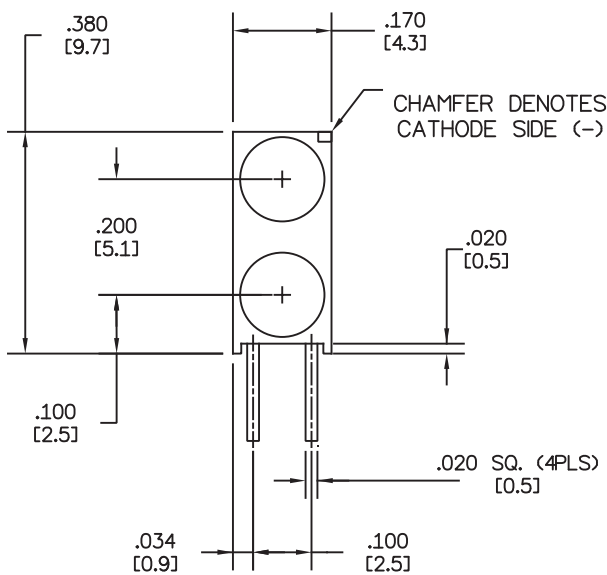


553 Series Circuit Board Indicators LED 2 Position Bi-Color 3mm

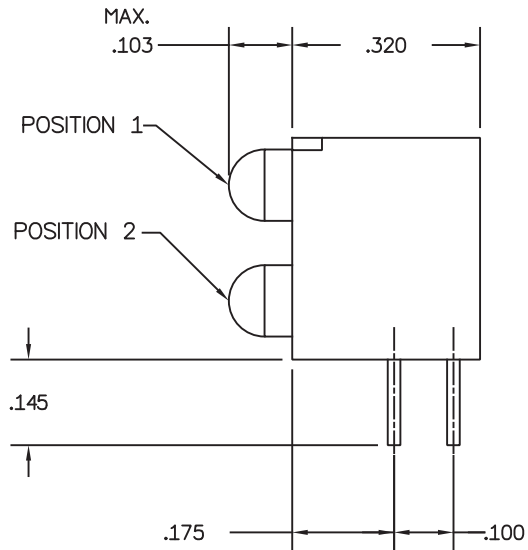


553 Series 2-position 3mm Circuit Board Mount LED Indicator Lights Arrays provide the most design flexibility and assembly efficiency.

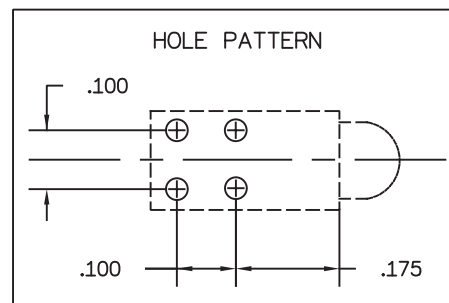
Product Dimensions



All Dimensions in inches [mm]



All Dimensions in inches



All Dimensions in inches

Ordering Data

CATHODE SIDE

| MODEL NO. | POSITION 1 LED P/N | POSITION 2 LED P/N | OUTPUT COLOR | (+) | (-) "CHAMFER" |
|-----------|--------------------|--------------------|--------------------|--------------------------------|--------------------------------|
| 553-0111 | 4303F1 | 4303F1 | RED RED | RED ANODE | RED CATHODE |
| 553-0122 | 4303F5 | 4303F5 | GREEN GREEN | GREEN ANODE | GREEN CATHODE |
| 553-0133 | 4303F7 | 4303F7 | YELLOW YELLOW | YELLOW ANODE | YELLOW CATHODE |
| 553-0711 | 4301F1/5 | 4301F1/5 | RED/GRN RED/GRN | RED CATHODE/ GREEN ANODE | GREEN CATHODE/ RED ANODE |
| 553-0744 | 4301F15/17 | 4301F15/17 | YEL/GRN YEL/GRN | YELLOW CATHODE/ GREEN ANODE | GREEN CATHODE/ YELLOW ANODE |

Compliance and Approvals

