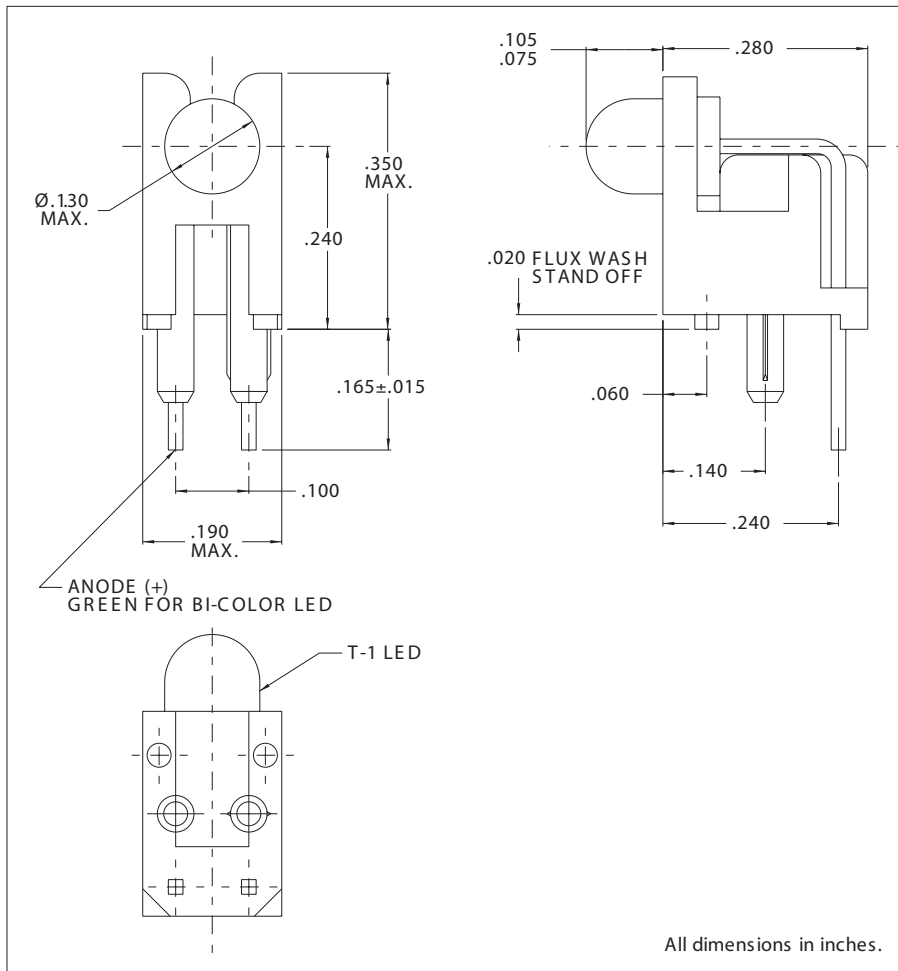


5323 Series T-1 Right Angle LED Assembly Description and Features



Features

- T-1 LED lamp right angle mounted, preassembled and tested.
- Black Nylon block, high contrast ratio, height and spacing alignment - saves assembly cost.
- High Brite and Super Brite LEDs-diffused.
- Mounting pins secure block to PC board while soldering.

Note: Alternate LEDs are also available in this package as a standard variation.

Refer to "Mounting Hole Pattern 1.pdf"

Electro-Optical Characteristics and Ratings

Part Number	Emitted Color	Typical Intensity (mcd)	Rated Current (mA)	Continuous Forward Current Max. (mA)	Forward Voltage		Reverse Breakdown Voltage Min. (V)	Peak Wavelength (nm)	Peak Forward Current at 1MS-300 PPS (A)
					Typ. (V)	Max. (V)			
5323F1	Red	10	10	30	2.0	3.0	5	650	1.6
5323F5	Green	16	10	30	2.2	3.0	5	562	.09
5323F7	Yellow	6.3	10	30	2.1	3.0	5	583	1.0