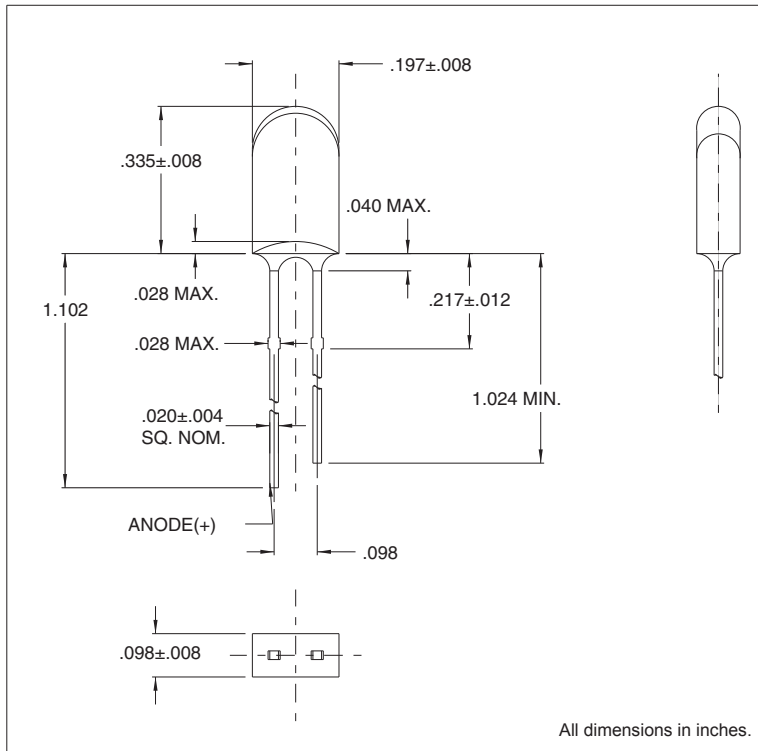


## 4366C Series Solid State LED Lamps-Super Brite "Popsicle" 2.5mm x 5mm Description and Features



- High intensity light output.
- Semi-round top provides wide-angle visibility.
- Ideal for modern styling.

## Electro-Optical Characteristics and Ratings

Part Number	Emitted Color	Lens Color	Package Type	Luminous Intensity		Forward Voltage		Viewing Angle (degrees)	Peak Wavelength (nm)	Reverse Breakdown Voltage Min. (V)	Continuous Forward Current Max. (nm)
				Min. (mcd)	Typ. (mcd)	Typ. (V)	Max. (V)				
4366C1	Red	Red	Diffused	12	24	1.7	2.0	20	660	4	50
4366C3	Amber	Amber	Diffused	12	24	2.2	2.8	20	605	4	25
4366C5	Green	Green	Diffused	12	24	2.1	2.8	20	560	4	25
4366C7	Yellow	Yellow	Diffused	12	24	2.2	2.8	20	580	4	30