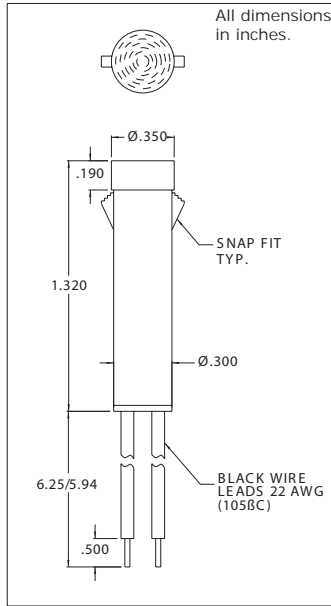




2900A Series Non-Relampable Neon Light

DESCRIPTION AND FEATURES



Mounting: Ø.310 MIN. hole in panels .020/.062 thick, use speednut #SN1287 for other panel thickness.

Wire Leads: No.22AWG (105°C), 6" long, stripped 1/2"

Lens: Tinted Transparent Polycarbonate

Lens Color	Neon
	Model No. (105-125VAC)
Red	2900A1
Clear	2900A2
Amber	2900A3
Yellow	2900A7
Lamp used	A9A+R resistor

Underwriters Laboratories (UL) File No. E20325
 Canadian Standards Association (CSA) File No. LR13346