

Ceramic Monoblock Duplex Filter



Model KFF6636A Technical Data

Features:

- Small Size
- High Performance
- SMD

Description and Applications:

This monoblock Duplexer filter is primarily designed for Cellular Band applications at 824-894 MHz.



Electrical Specifications

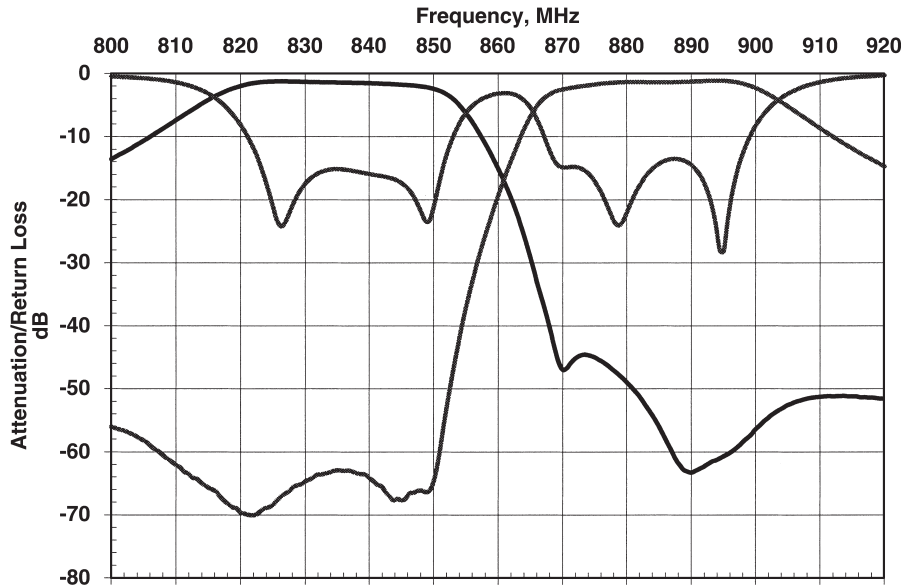
| Antenna to TX Response | Frequency | Specifications @ 25° C |
|------------------------|--------------------|------------------------|
| Insertion Loss | 824 MHz to 849 MHz | 2.4 dB max. |
| Return Loss | | 13.0 dB min. |
| Rejection @ RX Band | 869 MHz to 894 MHz | 43.0 dB min. |
| Antenna to RX Response | Frequency | Specifications @ 25° C |
| Insertion Loss | 869 MHz to 894 MHz | 3.3 dB max. |
| Return Loss | | 13.0 dB min. |
| Rejection @ TX Band | 824 MHz to 849 MHz | 58.0 dB min. |
| TX to RX Response | Frequency | Specifications @ 25° C |
| Rejection @ RX Band | 869 MHz to 894 MHz | 44.0 dB min. |
| Rejection @ TX Band | 824 MHz to 849 MHz | 60.0 dB min. |
| Power Rating | | 3 W |
| Impedance | | 50 Ω |

NOTE: Supplier shall test each filter to the critical electrical specifications listed above or better. Any subsequent audits may deviate due to measurement repeatability among different test systems. Such deviations shall not exceed the following limits:

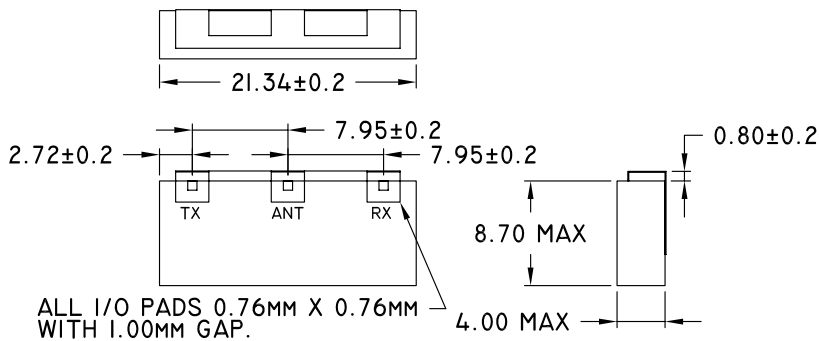
| Specification | Typical Allowance |
|----------------|-------------------|
| Insertion Loss | 0.1 dB |
| Return Loss | 1.0 dB |
| Stopbands | 1.0 dB |

Rev. 1

Typical Response Curve

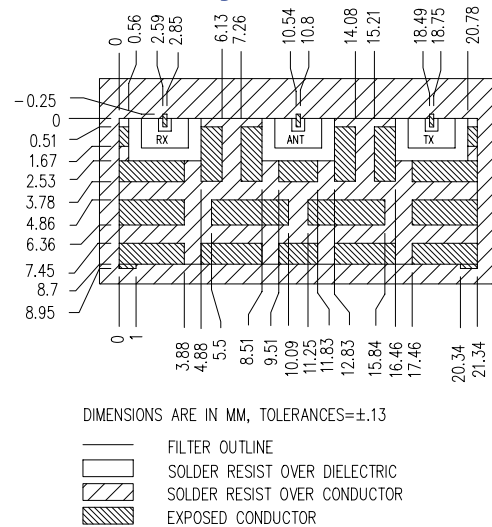


Mechanical Dimensions



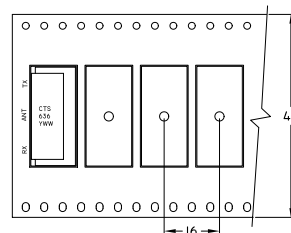
All dimensions in mm

PC Board Layout



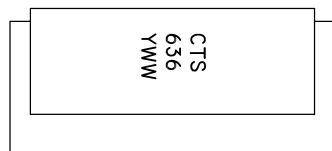
Packaging Reel Quantity: 500 pcs. max.
Reel Weight: 5.4 lbs. max.

PACK DIRECTION
← ← ←



Part Marking

Y = LAST DIGIT OF YEAR
WW = SEQUENTIAL WEEK NUMBER



Contact Information:

CTS WIRELESS COMPONENTS, INC. / 171 Covington Drive / Bloomingdale, IL 60108
PHONE: (800) 757-6686 / www.ctscorp.com

Document Control #6287078Y01 Rev 1

Date of Origin 04/09/01

Date of Revision 04/09/01

THIS DATA SHEET IS NOT AN OFFER FOR SALE AND SHALL NOT OBLIGATE CTS TO SELL THE PRODUCTS DESCRIBED HEREIN OR ANY OTHER PRODUCTS. CTS MAY, IN ITS SOLE DISCRETION, MODIFY OR DISCONTINUE THE SALE OF ITS PRODUCTS AT ANY TIME WITHOUT NOTICE. CTS MAKES NO WARRANTY, INCLUDING WARRANTIES OF MERCHANTABILITY OR FITNESS FOR A PARTICULAR PURPOSE, WITH RESPECT TO THE PRODUCTS REFERENCED OR INFORMATION PROVIDED HEREIN.

CTS® is a registered trademark of CTS Corporation.