

Ceramic Monoblock Bandpass Filter



Model KFF6402A Technical Data

Features:

- Small Size
- High Performance

Description and Applications:

This 4 pole monoblock filter is designed primarily for TCAS applications at 1090 MHz in the radionavigation band.



Electrical Specifications

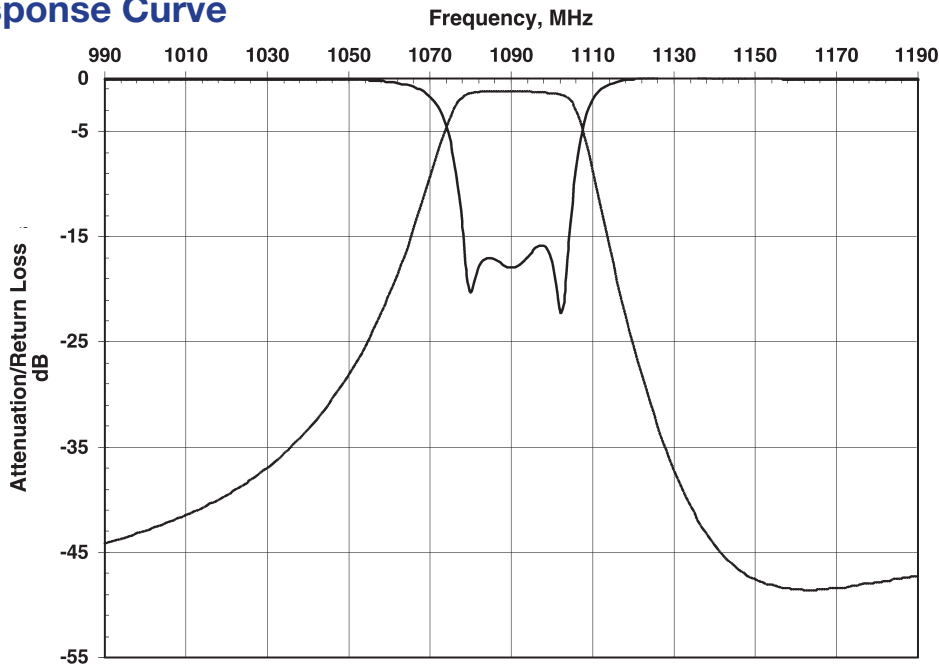
| Parameters | Frequency | Specifications @ 25° C |
|---------------------|----------------------|------------------------|
| Insertion Loss | 1087 MHz to 1093 MHz | 2.0 dB max. |
| Forward Return Loss | | 12.0 dB min. |
| Attenuation | 1030 MHz | 35.0 dB min. |
| Power Rating | | 1 W |
| Impedance | | 50 Ω |

NOTE: Supplier shall test each filter to the critical electrical specifications listed above or better. Any subsequent audits may deviate due to measurement repeatability among different test systems. Such deviations shall not exceed the following limits:

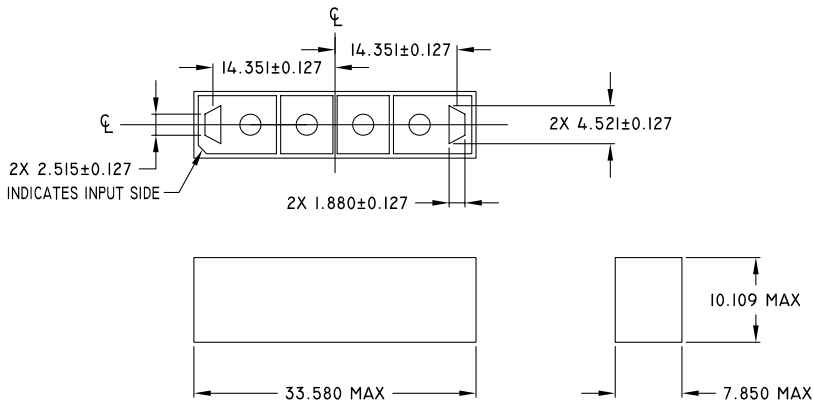
| Specification | Typical Allowance |
|----------------|-------------------|
| Insertion Loss | 0.1 dB |
| Return Loss | 1.0 dB |
| Stopbands | 1.0 dB |

Rev. 1

Typical Response Curve

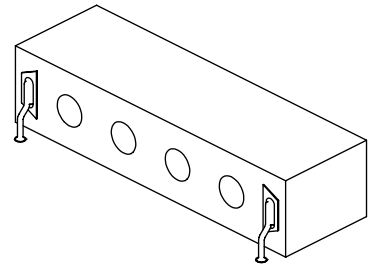


Mechanical Dimensions



All dimensions in mm

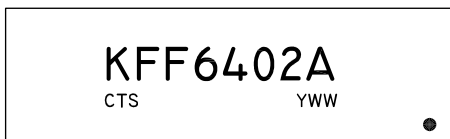
PC Board Layout



CONNECT TO I/O PADS USING WIRE LEADS.

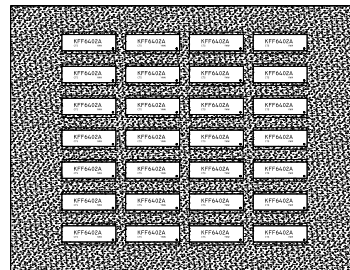
Part Marking

Y = LAST DIGIT OF YEAR
WW = SEQUENTIAL WEEK NUMBER



Packaging

This product is shipped in pre-formed foam trays.



Contact Information:

CTS WIRELESS COMPONENTS, INC. / 171 Covington Drive / Bloomingdale, IL 60108
PHONE: (800) 757-6686 / www.ctscorp.com

Document Control #6287069Y01 Rev 1

Date of Origin 05/15/01

Date of Revision 05/15/01

THIS DATA SHEET IS NOT AN OFFER FOR SALE AND SHALL NOT OBLIGATE CTS TO SELL THE PRODUCTS DESCRIBED HEREIN OR ANY OTHER PRODUCTS. CTS MAY, IN ITS SOLE DISCRETION, MODIFY OR DISCONTINUE THE SALE OF ITS PRODUCTS AT ANY TIME WITHOUT NOTICE. CTS MAKES NO WARRANTY, INCLUDING WARRANTIES OF MERCHANTABILITY OR FITNESS FOR A PARTICULAR PURPOSE, WITH RESPECT TO THE PRODUCTS REFERENCED OR INFORMATION PROVIDED HEREIN.

CTS® is a registered trademark of CTS Corporation.