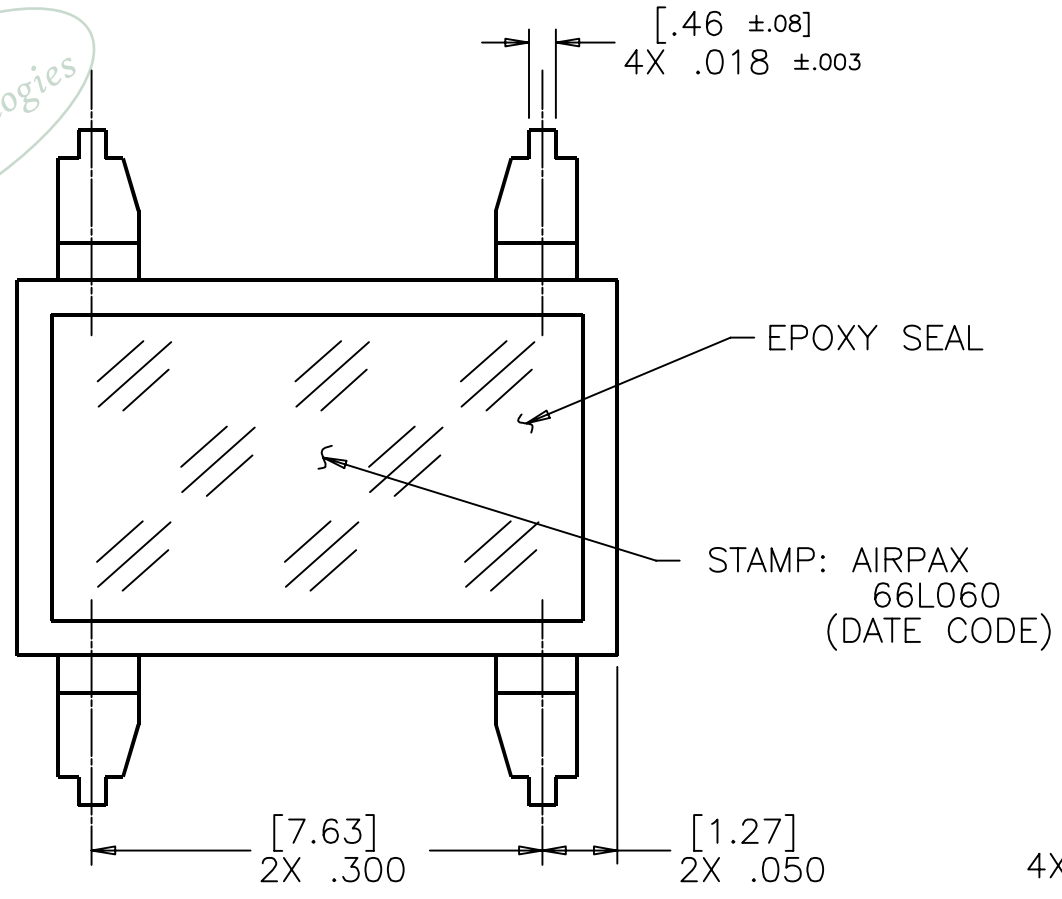


REVISIONS
29309

B66R0340

Property of
Sensata Technologies

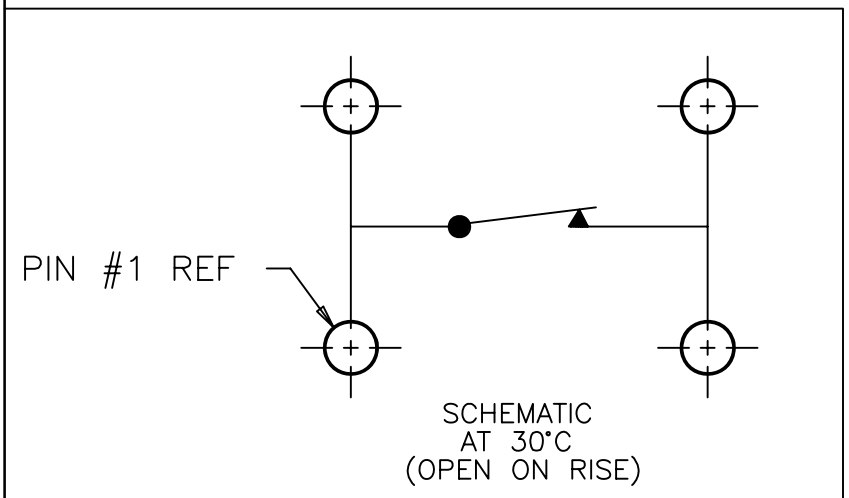
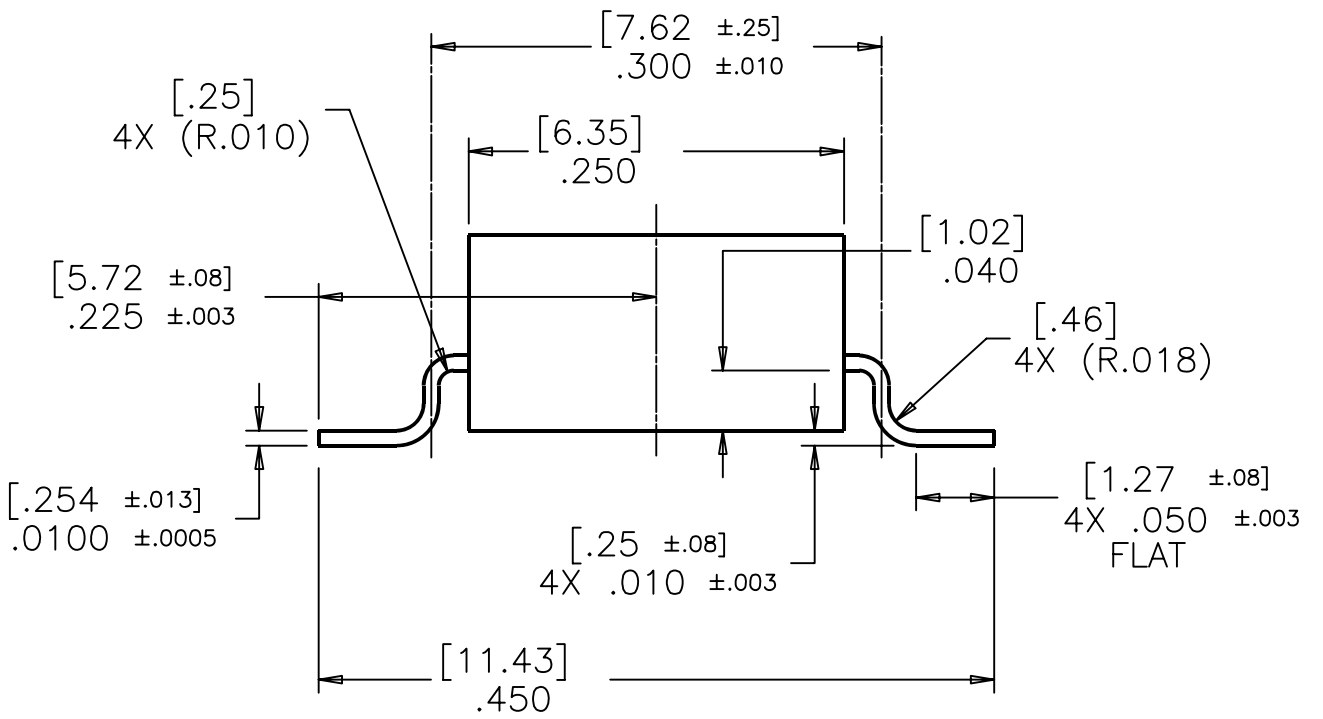
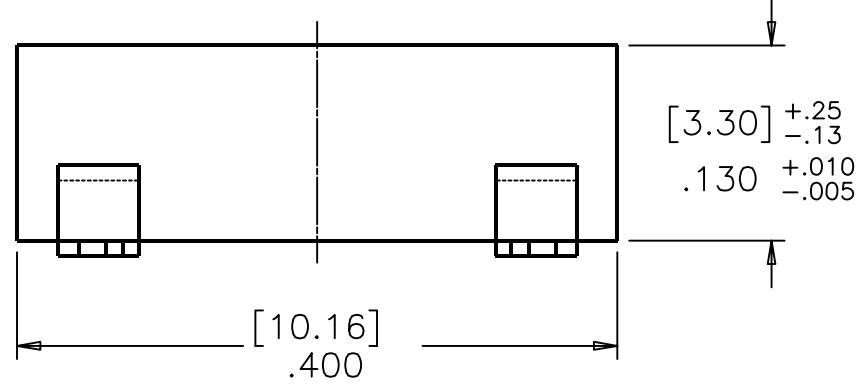


- SPECIFICATIONS:
1. DEVICE: SINGLE POLE, SINGLE THROW DUAL INLINE PACKAGE SNAP ACTION THERMOSTAT.
 2. CONTACT RATING:

CYCLES	VDC	AMPS (RESISTIVE)
30000	48	1 MAX
100000	5	20mA MIN
 3. TEMPERATURE EXPOSURE LIMIT: 160°C (320°F)
SHORT TERM EXPOSURE LIMIT: 260°C (500°F)
 4. UNIT SEALED TO WITHSTAND VAPOR PHASE, WAVE AND DIP SOLDER OPERATIONS.
 5. TERMINALS: CUPRO-NICKEL. BASE: PPS
 6. OPERATING TEMP REQUIREMENTS:
(CONTACTS TO OPEN ON RISING TEMP)

55	60	65	40	--	61	4	--	25
MIN	NOM	MAX	MIN	NOM	MAX	MIN	NOM	MAX
HIGH TEMP °C			LOW TEMP °C			DIFFERENTIAL °C		

7. CREEP: ALL CONTACT OPERATION (BOTH CLOSING & OPENING) MUST OCCUR SIMULTANEOUS WITH SNAP OF DISC.
8. CO-PLANNER REQUIREMENT: TERMINALS TO BE FLAT WITHIN [.10]/.004.



CUSTOMER REF: GENERAL DYNAMICS		OUTLINE 66L060-0340	
AIRPAX www.airpax.net Thermal Sensing Products Frederick, Maryland		THIRD ANGLE PROJECTION	MATERIAL NOTED
FSCM 82415		[MM] INCH	FINISH NONE
GENERAL WORKMANSHIP SPECIFICATION S-604 CONSTITUTES A PART OF THIS DRAWING.		INTERPRET DRAWING PER ANSI Y14.5M-1982	
DRAWN JMS	APPROVED MR	TOLERANCE UNLESS NOTED	
CHECKED JJS	DATE 1-22-01	MM ±.13 INCH ±.005 ANGLES ±1°	SCALE 8-1
6600		B66R0340	
			REVISION