



SAW Components

Data Sheet B7723

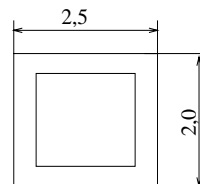
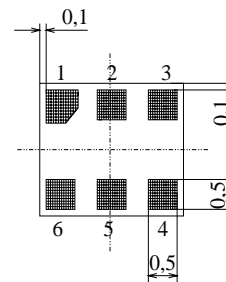




Chip sized SAW package DCS61

Features

- Low-loss RF filter for mobile telephone GSM 850 systems, transmit path
- Low amplitude ripple
- Usable passband 25 MHz
- Balanced to unbalanced operation
- Impedance transformation from 200 Ω to 50 Ω
- Ceramic package for **Surface Mounted Technology (SMT)**



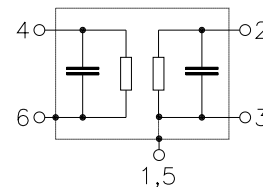
Dimensions in mm, approx. weight 0,014g

Terminals

- Ni, gold-plated

Pin configuration

- 4, 6 Balanced input
- 2 Unbalanced output
- 1, 3, 5 To be grounded



Type	Ordering code	Marking and Package according to	Packing according to
B7723	B39841-B7723-C610	C61157-A7-A76	F61074-V8112-Z000

Electrostatic Sensitive Device (ESD)

Maximum ratings

Operable temperature range	T	- 30 / + 85	°C	Source impedance 200 Ω peak power of GSM 850 signal, duty cycle 1:4
Storage temperature range	T_{stg}	- 40 / + 85	°C	
DC voltage	V_{DC}	5	V	
ESD	V_{ESD}	50	V	
Input power max.	P_{IN}	15	dBm	



SAW Components

B7723

Low-Loss Filter for Mobile Communication

836,5 MHz

Data Sheet

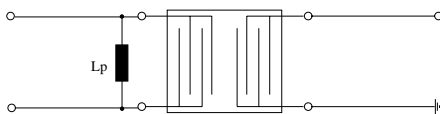


Characteristics

Operating temperature range: $T = 25 \pm 2^\circ\text{C}$
 Terminating source impedance: $Z_S = 200 \Omega // 56 \text{ nH}$ (balanced)
 Terminating load impedance: $Z_L = 50 \Omega$ (unbalanced)

		min.	typ.	max.	
Center frequency	f_C	—	836,5	—	MHz
Maximum insertion attenuation	α_{max}	—	2,1	2,3	dB
	824,0 ... 849,0 MHz				
Amplitude ripple (p-p)	$\Delta\alpha$	—	0,6	0,8	dB
	824,0 ... 849,0 MHz				
Balanced input VSWR		—	1,7	2,0	
	824,0 ... 849,0 MHz				
Unbalanced output VSWR		—	1,7	2,0	
	824,0 ... 849,0 MHz				
Differential to Common mode Suppression	$S_{\text{sc}12}$				
	0,1 ... 804,0 MHz	20	50	—	dB
	824,0 ... 849,0 MHz	20	25	—	dB
	869,0 ... 6000,0 MHz	20	35	—	dB
Attenuation	α				
	0,0 ... 800,0 MHz	42	54	—	dB
	869,0 ... 894,0 MHz	27	30	—	dB
	894,0 ... 1000,0 MHz	30	40	—	dB
	1000,0 ... 3000,0 MHz	40	46	—	dB
	3000,0 ... 4000,0 MHz	30	36	—	dB
	4000,0 ... 6000,0 MHz	23	28	—	dB
Rx band suppression	α				
	869,0 ... 894,0 MHz	27	30	—	dB

Test matching network



$L_p = 56 \text{ nH}$



SAW Components

B7723

Low-Loss Filter for Mobile Communication

836,5 MHz

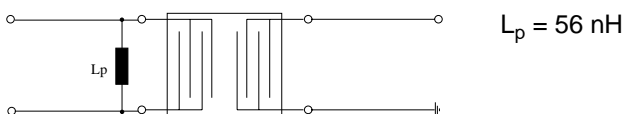
**Data Sheet
Characteristics**



Operating temperature range: $T = -30$ to $85\text{ }^{\circ}\text{C}$
 Terminating source impedance: $Z_S = 200\ \Omega // 56\ \text{nH}$ (balanced)
 Terminating load impedance: $Z_L = 50\ \Omega$ (unbalanced)

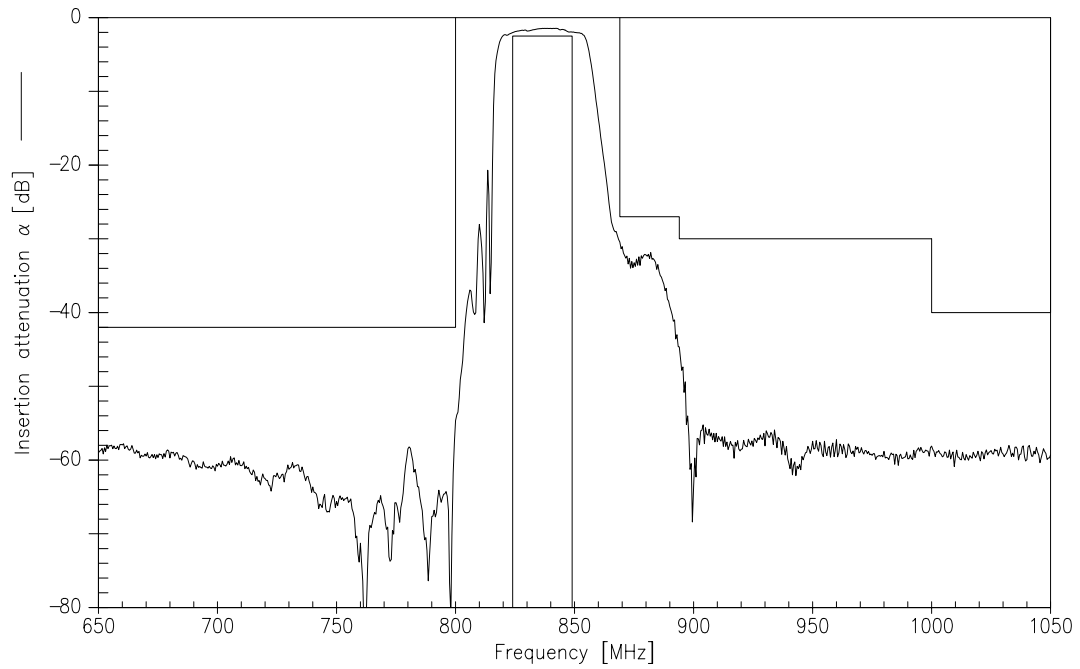
		min.	typ.	max.	
Center frequency	f_C	—	836,5	—	MHz
Maximum insertion attenuation	α_{max}				
824,0 ... 849,0 MHz		—	2,3	2,5	dB
Amplitude ripple (p-p)	$\Delta\alpha$				
824,0 ... 849,0 MHz		—	0,8	1,0	dB
Balanced input VSWR					
824,0 ... 849,0 MHz		—	1,7	2,0	
Unbalanced output VSWR					
824,0 ... 849,0 MHz		—	1,7	2,0	
Differential to Common mode Suppression	$S_{\text{sc}12}$				
0,1 ... 804,0 MHz		20	50	—	dB
824,0 ... 849,0 MHz		20	25	—	dB
869,0 ... 6000,0 MHz		20	35	—	dB
Attenuation	α				
0,0 ... 800,0 MHz		40	54	—	dB
869,0 ... 894,0 MHz		25	30	—	dB
894,0 ... 1000,0 MHz		30	40	—	dB
1000,0 ... 3000,0 MHz		40	46	—	dB
3000,0 ... 4000,0 MHz		30	36	—	dB
4000,0 ... 6000,0 MHz		23	28	—	dB
Rx band suppression	α				
869,0 ... 894,0 MHz		25	30	—	dB

Test matching network

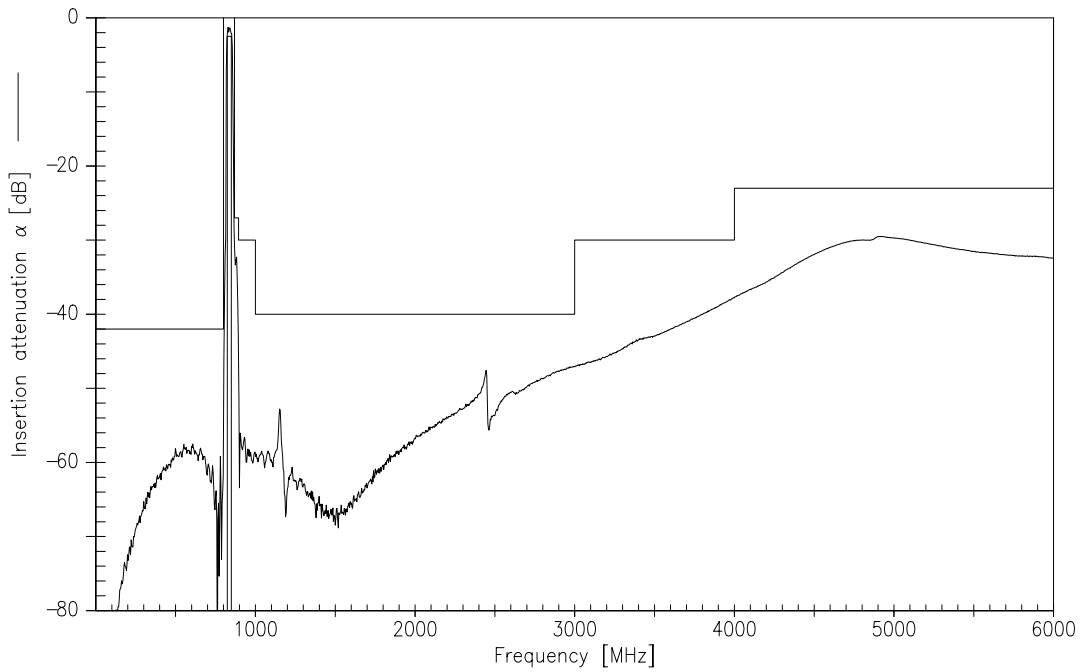




Transfer function (spec at 25°C)



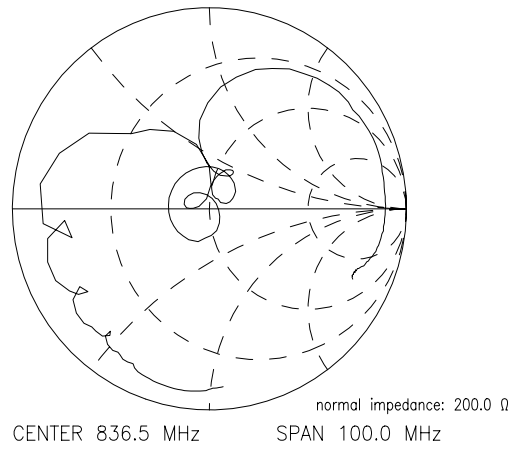
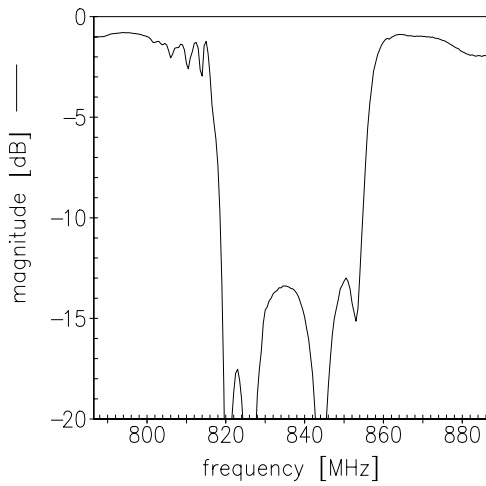
Transfer function (wideband)



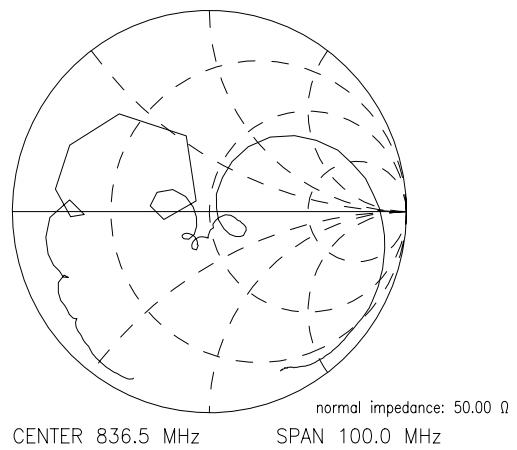
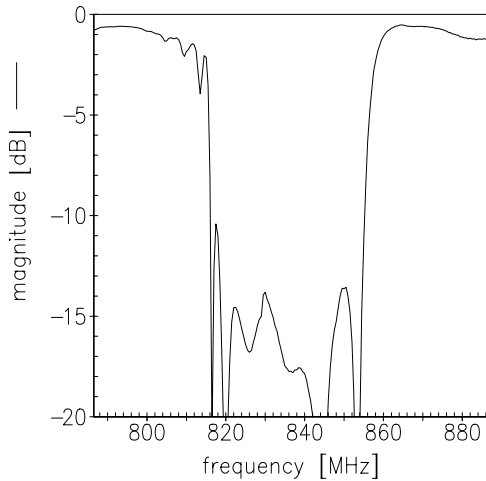


Matching (measurement including calculated matching network; S11 is balanced input)

S₁₁



S₂₂





SAW Components

B7723

Low-Loss Filter for Mobile Communication

836,5 MHz

Data Sheet



Published by EPCOS AG

Surface Acoustic Wave Components Division, SAW MC WT PD

P.O. Box 80 17 09, D-81617 München

© EPCOS AG 2000. All Rights Reserved. Reproduction, publication and dissemination of this brochure and the information contained therein without EPCOS' prior express consent is prohibited.

The information contained in this brochure describes the type of component and shall not be considered as guaranteed characteristics. Purchase orders are subject to the General Conditions for the Supply of Products and Services of the Electrical and Electronics Industry recommended by the ZVEI (German Electrical and Electronic Manufacturers' Association), unless otherwise agreed.

This brochure replaces the previous edition.

For questions on technology, prices and delivery please contact the Sales Offices of EPCOS AG or the international Representatives.

Due to technical requirements components may contain dangerous substances. For information on the type in question please also contact one of our Sales Offices.