



SAW Components

Data Sheet B7808





SAW Components

B7808

Low Loss Filter for Mobile Communication

2140,0 MHz

Data Sheet



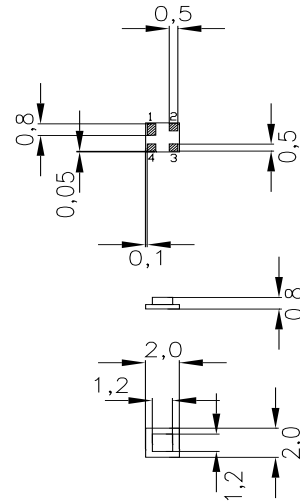
Chip sized SAW package DCS4A

Features

- Low-loss RF filter for W-CDMA system, receiving path
- Usable passband 60 MHz
- No matching network required for operation at 50 Ω
- Ceramic package for **Surface Mounted technology (SMT)**

Terminals

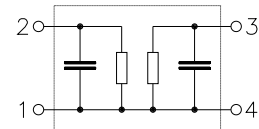
- Ni, gold-plated



Dimensions in mm, approx. weight 0,01 g

Pin configuration

- 2 Input
- 1 Input - ground
- 3 Output
- 4 Output - ground



Type	Ordering code	Marking and Package according to	Packing according to
B7808	B39212-B7808-A510	C61157-A7-A63	F61074-V8099-Z000

Electrostatic Sensitive Device (ESD)

Maximum ratings

Operable temperature range	T	- 20/+ 85	°C	source impedance 50 Ω
Storage temperature range	T_{stg}	- 40/+ 85	°C	
DC voltage	V_{DC}	0	V	
Source power	P_s	10	dBm	



SAW Components

B7808

Low Loss Filter for Mobile Communication

2140,0 MHz

Data Sheet



Characteristics

Operating temperature range: $T = 25^{\circ}\text{C}$
 Terminating source impedance: $Z_S = 50\ \Omega$
 Terminating load impedance: $Z_L = 50\ \Omega$

				min.	typ.	max.	
Center frequency		f_c		—	2140,0	—	MHz
Maximum insertion attenuation	2110,0 ... 2170,0	MHz	α_{\max}	—	2,5	3,0	dB
Amplitude ripple (p-p)	2110,0 ... 2170,0	MHz	$\Delta\alpha$	—	0,6	1,0	dB
Amplitude ripple (p-p) per 5-MHz channel	2110,0 ... 2170,0	MHz	$\Delta\alpha_{\text{ch}}$	—	0,3	0,5	dB
VSWR							
Input	2110,0 ... 2170,0	MHz		—	1,8	2,0	
Output	2110,0 ... 2170,0	MHz		—	1,8	2,0	
Attenuation			α				
	0,0 ... 1730,0	MHz		15,0	18,0	—	dB
	1730,0 ... 1980,0	MHz		22,0	25,0	—	dB
	1980,0 ... 2050,0	MHz		17,0	20,0	—	dB
	2230,0 ... 2255,0	MHz		25,0	29,0	—	dB
	2255,0 ... 2490,0	MHz		25,0	30,0	—	dB
	2490,0 ... 2550,0	MHz		25,0	30,0	—	dB
	2550,0 ... 2930,0	MHz		22,0	24,0	—	dB
	2930,0 ... 6000,0	MHz		14,0	16,0	—	dB



Data Sheet



Characteristics

Operating temperature range: $T = -20$ to $+85^{\circ}\text{C}$
 Terminating source impedance: $Z_S = 50\ \Omega$
 Terminating load impedance: $Z_L = 50\ \Omega$

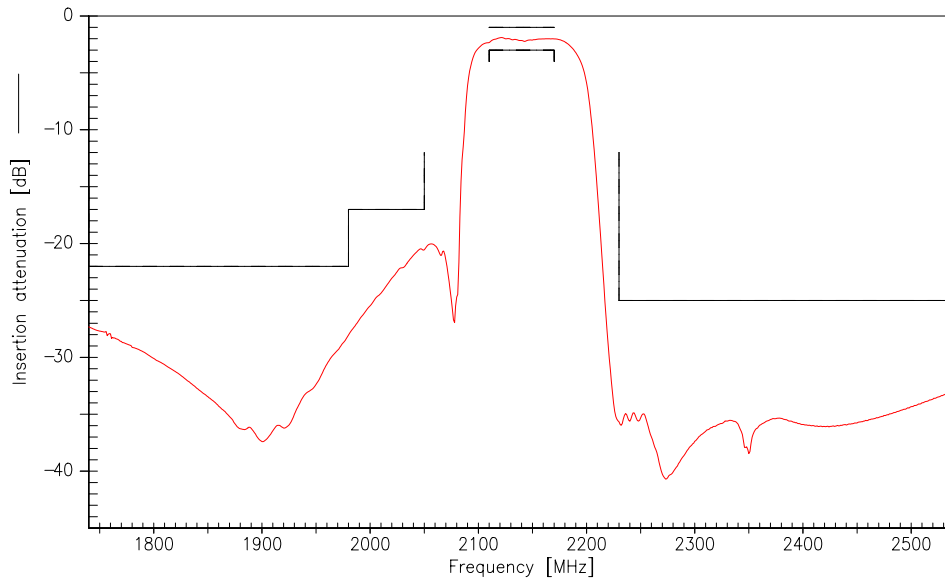
				min.	typ.	max.	
Center frequency			f_c	—	2140,0	—	MHz
Maximum insertion attenuation			α_{\max}				
	2110,0 ... 2170,0		MHz	—	3,0	3,3	dB
Amplitude ripple (p-p)			$\Delta\alpha$				
	2110,0 ... 2170,0		MHz	—	0,9	1,2	dB
Amplitude ripple (p-p) per 5-MHz channel			$\Delta\alpha_{\text{ch}}$				
	2110,0 ... 2170,0		MHz	—	0,5	0,8	dB
VSWR							
	Input	2110,0 ... 2170,0	MHz	—	2,0	2,2	
	Output	2110,0 ... 2170,0	MHz	—	2,0	2,2	
Attenuation			α				
	0,0 ... 1730,0		MHz	15,0	18,0	—	dB
	1730,0 ... 1980,0		MHz	22,0	25,0	—	dB
	1980,0 ... 2050,0		MHz	17,0	20,0	—	dB
	2230,0 ... 2255,0		MHz	25,0	29,0	—	dB
	2255,0 ... 2490,0		MHz	25,0	30,0	—	dB
	2490,0 ... 2550,0		MHz	25,0	30,0	—	dB
	2550,0 ... 2930,0		MHz	22,0	24,0	—	dB
	2930,0 ... 6000,0		MHz	14,0	16,0	—	dB



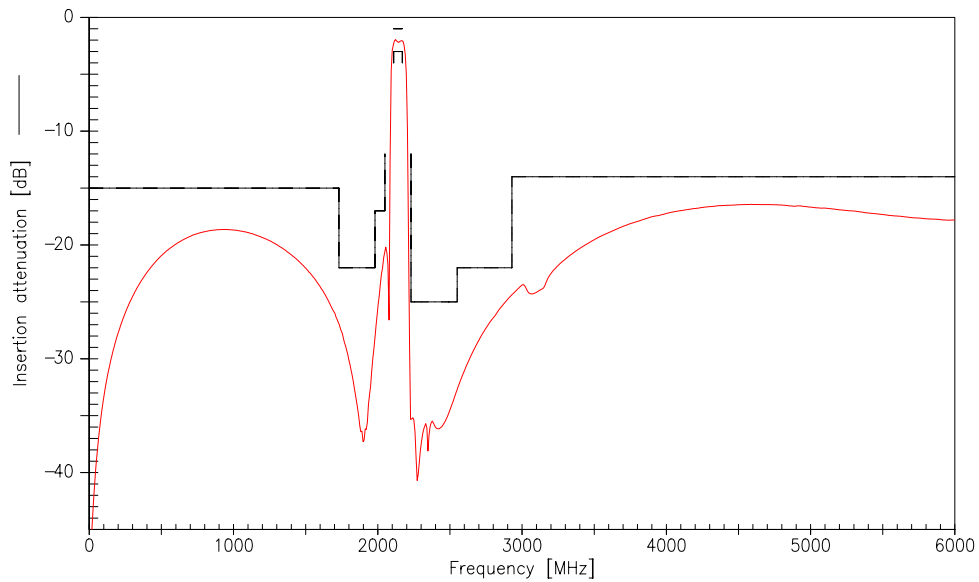
Data Sheet



Frequency response (narrow band)



Frequency response (wide band)





SAW Components

B7808

Low Loss Filter for Mobile Communication

2140,0 MHz

Data Sheet



Published by EPCOS AG

Corporate Communications, P.O. Box 80 17 09, 81617 Munich, GERMANY

☎ ++49 89 636 09, FAX (0 89) 636-2 26 89

© EPCOS AG 2002. Reproduction, publication and dissemination of this brochure and the information contained therein without EPCOS' prior express consent is prohibited.

Purchase orders are subject to the General Conditions for the Supply of Products and Services of the Electrical and Electronics Industry recommended by the ZVEI (German Electrical and Electronic Manufacturers' Association), unless otherwise agreed.

This brochure replaces the previous edition.

For questions on technology, prices and delivery please contact the Sales Offices of EPCOS AG or the international Representatives.

Due to technical requirements components may contain dangerous substances. For information on the type in question please also contact one of our Sales Offices.