



Pontiac Coil

2110 Queensway Searcy, AR 72143

Phone 501-268-6877 Website: www.pontiaccoil.com

Model L-15 DC Solenoid Tubular, Pull Type

Pontiac Coil - Arkansas is an ISO 9001:2000 Certified Company

*Resistance values are ± 10% at 25°C

| Model Code | Part No. | Voltage | Duty Cycle | Power (W) | Resistance (Ω)* | Current (A) |
|----------------|----------|---------|--------------|-----------|-----------------|-------------|
| L-15PL012D-C-2 | F0491A | 12VDC | Continuous | 14 | 10.0 | 1.2 |
| L-15PL012D-I-2 | F0492A | 12VDC | Intermittent | 60 | 2.2 | 5.5 |
| L-15PL024D-C-2 | F0493A | 24VDC | Continuous | 14 | 41.0 | 0.6 |
| L-15PL024D-I-2 | F0494A | 24VDC | Intermittent | 60 | 10.0 | 2.4 |

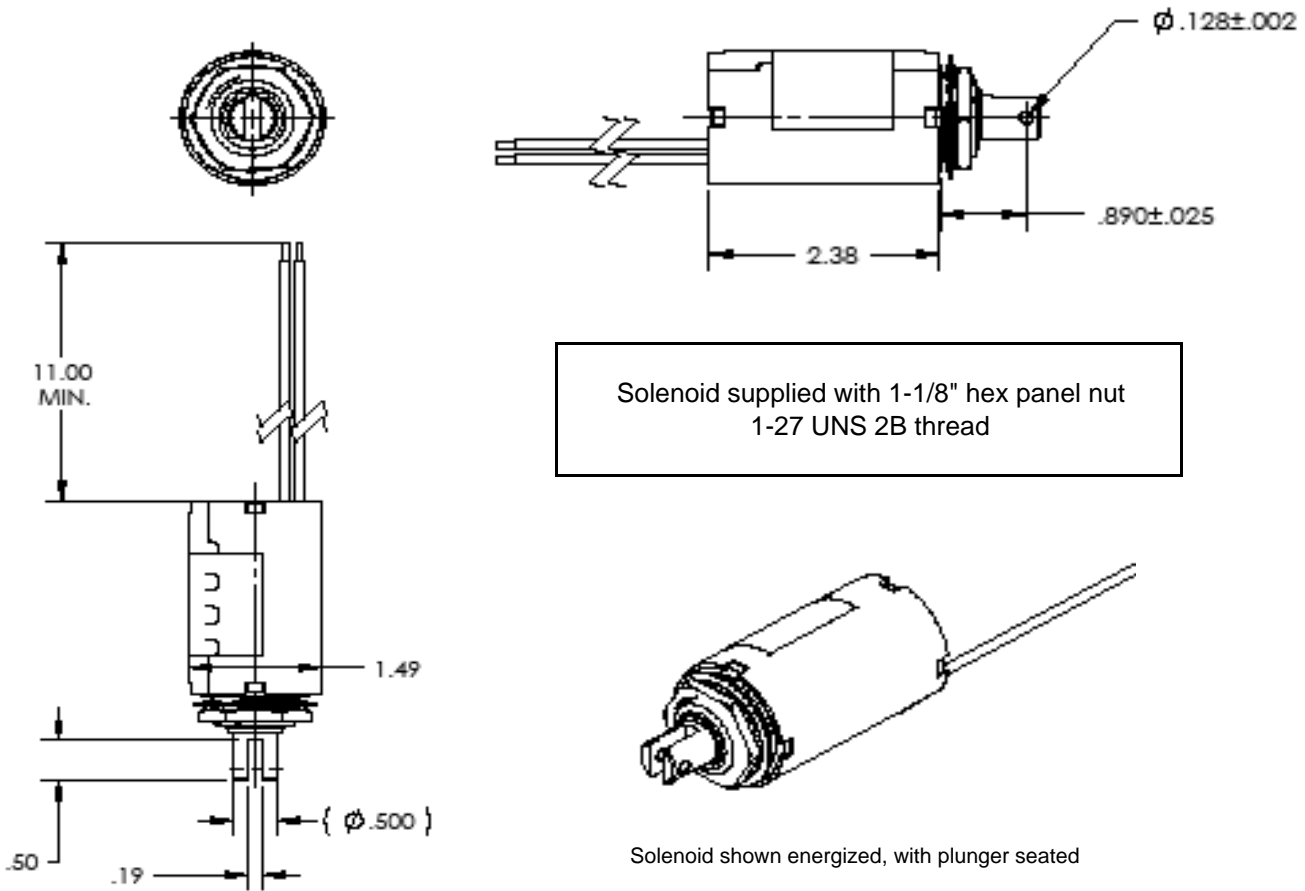
Definition of Duty Cycles:

Continuous = indefinite activation; **Intermittent** = 1 minute ON and 3 minutes OFF; **Pulse** = 100msec. ON and 900 msec. OFF

Special order options: 6 to 48Volts, DC only; push-type configuration. Consult factory for other modifications.

| Stroke (in.): | Sealed | 1/8 | 1/4 | 3/8 | 1/2 | 3/4 | 1 | 1-1/4 |
|------------------|---------|---------|---------|---------|--------|--------|--------|--------|
| Cont. Duty force | 200 oz. | 128 oz. | 64 oz. | 38 oz. | 24 oz. | 13 oz. | 5 oz. | 3 oz. |
| Int. Duty force | 245 oz. | 184 oz. | 138 oz. | 110 oz. | 80 oz. | 48 oz. | 28 oz. | 16 oz. |

Typical force values when operated at 100% rated voltage at 25°C. Derating required for lower voltage and higher temperature.



Insulation Materials: UL Construction, Class B 130°C

Copper magnet wire insulation rated 155°C (class F)

Voltage Breakdown Strength: 1500 VAC RMS Life Expectancy: 10 million operations