

CD4040BC, 12-Stage Ripple Carry Binary Counters CD4060BC, 14-Stage Ripple Carry Binary Counters

Features

- Wide supply voltage range: 3.0V to 15V
- High noise immunity: $0.45 V_{DD}$ (Typ.)
- Low power TTL compatibility: Fan out of 2 driving 74L or 1 driving 74LS
- Medium speed operation: 8MHz typ. at $V_{DD} = 10V$
- Schmitt trigger clock input

General Description

The CD4060BC is a 14-stage ripple carry binary counter, and the CD4040BC is a 12-stage ripple carry binary counter. The counters are advanced one count on the negative transition of each clock pulse. The counters are reset to the zero state by a logical "1" at the reset input independent of clock.

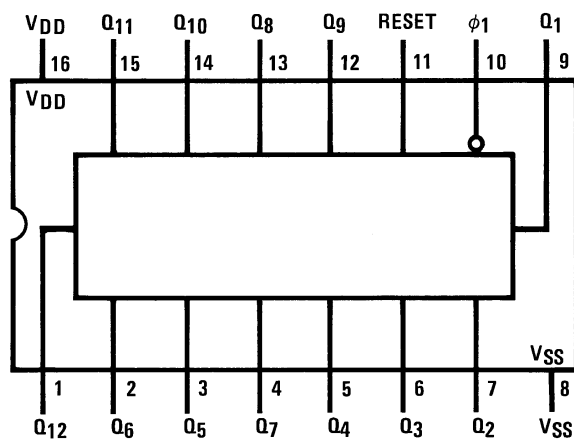
Ordering Information

Order Number	Package Number	Package Description
CD4040BCM	M16A	16-Lead Small Outline Integrated Circuit (SOIC), JEDEC MS-012, 0.150" Narrow
CD4060BCM	M16A	16-Lead Small Outline Integrated Circuit (SOIC), JEDEC MS-012, 0.150" Narrow
CD4060BCN	N16E	16-Lead Plastic Dual-In-Line Package (PDIP), JEDEC MS-001, 0.300" Wide

Devices also available in Tape and Reel. Specify by appending the suffix letter "X" to the ordering number.

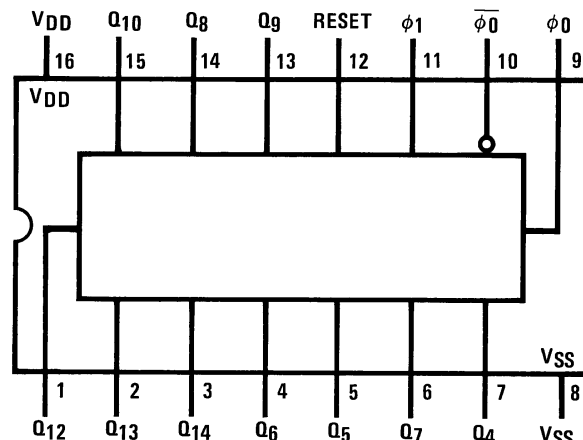
Connection Diagrams

Pin Assignments for DIP and SOIC
CD4040BC



Top View

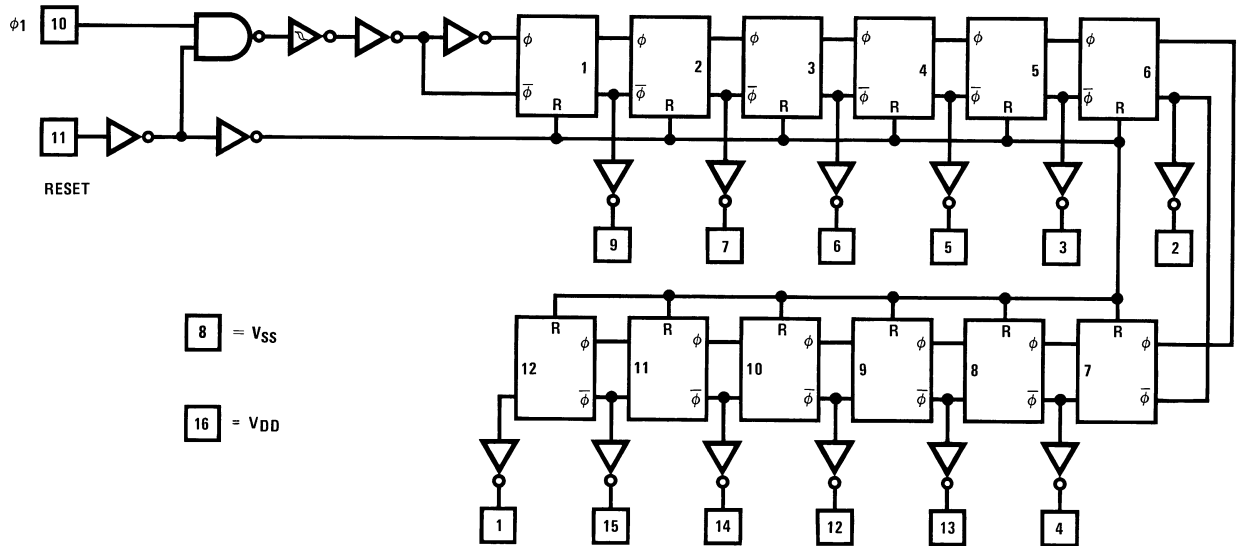
Pin Assignments for DIP and SOIC
CD4060BC



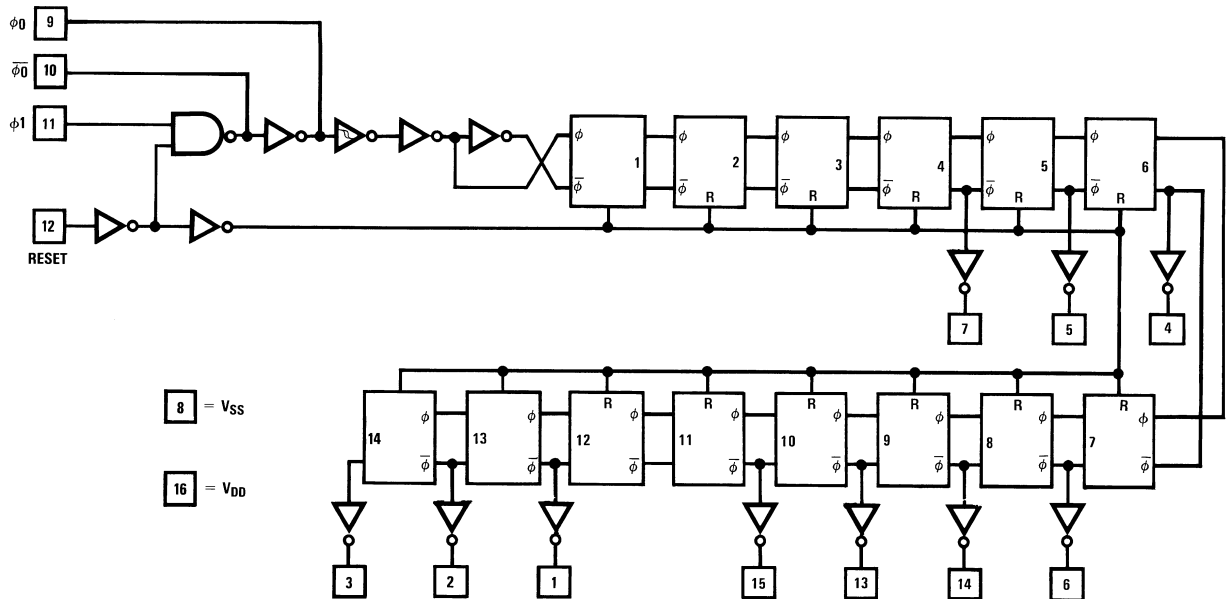
Top View

Schematic Diagrams

CD4040BC

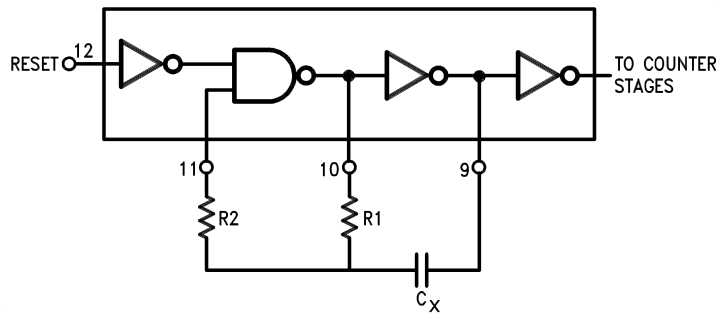


CD4060BC

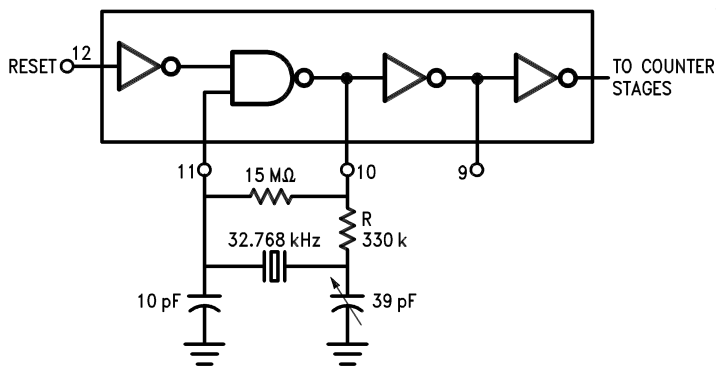


CD4060B Typical Oscillator Connections

RC Oscillator



Crystal Oscillator



Absolute Maximum Ratings⁽¹⁾

Stresses exceeding the absolute maximum ratings may damage the device. The device may not function or be operable above the recommended operating conditions and stressing the parts to these levels is not recommended. In addition, extended exposure to stresses above the recommended operating conditions may affect device reliability. The absolute maximum ratings are stress ratings only.

Symbol	Parameter	Rating
V_{DD}	Supply Voltage	-0.5V to +18V
V_{IN}	Input Voltage	-0.5V to $V_{DD} + 0.5V$
T_S	Storage Temperature Range	-65°C to +150°C
P_D	Package Dissipation	
	N Package	700mW
	M Package	500 mW
T_L	Lead Temperature (Soldering, 10 seconds)	260°C

Note:

- $V_{SS} = 0V$ unless otherwise specified.

Recommended Operating Conditions

The Recommended Operating Conditions table defines the conditions for actual device operation. Recommended operating conditions are specified to ensure optimal performance to the datasheet specifications. Fairchild does not recommend exceeding them or designing to absolute maximum ratings.

Symbol	Parameter	Rating
V_{DD}	Supply Voltage	+3V to +15V
V_{IN}	Input Voltage	0V to V_{DD}
T_A	Operating Temperature Range	-55°C to +125°C

DC Electrical Characteristics⁽²⁾

Symbol	Parameter	Conditions	-55°C		+25°C			+125°C		Units
			Min.	Max.	Min.	Typ.	Max.	Min.	Max.	
I _{DD}	Quiescent Device Current	V _{DD} = 5V, V _{IN} = V _{DD} or V _{SS}		5			5		150	μA
		V _{DD} = 10V, V _{IN} = V _{DD} or V _{SS}		10			10		300	
		V _{DD} = 15V, V _{IN} = V _{DD} or V _{SS}		20			20		600	
V _{OL}	LOW Level Output Voltage	V _{DD} = 5V		0.05		0	0.05		0.05	V
		V _{DD} = 10V		0.05		0	0.05		0.05	
		V _{DD} = 15V		0.05		0	0.05		0.05	
V _{OH}	HIGH Level Output Voltage	V _{DD} = 5V	4.95		4.95	5		4.95		V
		V _{DD} = 10V	9.95		9.95	10		9.95		
		V _{DD} = 15V	14.95		14.95	15		14.95		
V _{IL}	LOW Level Input Voltage	V _{DD} = 5V, V _O = 0.5V or 4.5V		1.5		2	1.5		1.5	V
		V _{DD} = 10V, V _O = 1.0V or 9.0V		3.0		4	3.0		3.0	
		V _{DD} = 15V, V _O = 1.5V or 13.5V		4.0		6	4.0		4.0	
V _{IH}	HIGH Level Input Voltage	V _{DD} = 5V, V _O = 0.5V or 4.5V	3.5		3.5	3		3.5		V
		V _{DD} = 10V, V _O = 1.0V or 9.0V	7.0		7.0	6		7.0		
		V _{DD} = 15V, V _O = 1.5V or 13.5V	11.0		11.0	9		11.0		
I _{OL}	LOW Level Output Current ⁽³⁾	V _{DD} = 5V, V _O = 0.4V	0.64		0.51	0.88		0.36		mA
		V _{DD} = 10V, V _O = 0.5V	1.6		1.3	2.25		0.9		
		V _{DD} = 15V, V _O = 1.5V	4.2		3.4	8.8		2.4		
I _{OH}	HIGH Level Output Current ⁽³⁾	V _{DD} = 5V, V _O = 4.6V	-0.64		-0.51	-0.88		-0.36		mA
		V _{DD} = 10V, V _O = 9.5V	-1.6		-1.3	-2.25		-0.9		
		V _{DD} = 15V, V _O = 13.5V	-4.2		-3.4	-8.8		-2.4		
I _{IN}	Input Current	V _{DD} = 15V, V _{IN} = 0V		-0.1		-10 ⁻⁵	-0.1		-1.0	μA
		V _{DD} = 15V, V _{IN} = 15V		0.1		10 ⁻⁵	0.1		1.0	

Note:

2. V_{SS} = 0V unless otherwise specified.

3. Data does not apply to oscillator points ϕ_0 and $\bar{\phi}_0$ of CD4060BC. I_{OH} and I_{OL} are tested one output at a time.

AC Electrical Characteristics⁽⁴⁾

CD4040BC $T_A = 25^\circ\text{C}$, $C_L = 50\text{pF}$, $R_L = 200\text{k}\Omega$, $t_r = t_f = 20\text{ ns}$, unless otherwise noted.

Symbol	Parameter	Conditions	Min.	Typ.	Max.	Units
$t_{\text{PHL1}}, t_{\text{PLH1}}$	Propagation Delay Time to Q_1	$V_{\text{DD}} = 5\text{V}$		250	550	ns
		$V_{\text{DD}} = 10\text{V}$		100	210	
		$V_{\text{DD}} = 15\text{V}$		75	150	
$t_{\text{PHL}}, t_{\text{PLH}}$	Interstage Propagation Delay Time from Q_n to Q_{n+1}	$V_{\text{DD}} = 5\text{V}$		150	330	ns
		$V_{\text{DD}} = 10\text{V}$		60	125	
		$V_{\text{DD}} = 15\text{V}$		45	90	
$t_{\text{THL}}, t_{\text{TLH}}$	Transition Time	$V_{\text{DD}} = 5\text{V}$		100	200	ns
		$V_{\text{DD}} = 10\text{V}$		50	100	
		$V_{\text{DD}} = 15\text{V}$		40	80	
$t_{\text{WL}}, t_{\text{WH}}$	Minimum Clock Pulse Width	$V_{\text{DD}} = 5\text{V}$		125	335	ns
		$V_{\text{DD}} = 10\text{V}$		50	125	
		$V_{\text{DD}} = 15\text{V}$		40	100	
$t_{\text{rCL}}, t_{\text{fCL}}$	Maximum Clock Rise and Fall Time	$V_{\text{DD}} = 5\text{V}$			No Limit	ns
		$V_{\text{DD}} = 10\text{V}$			No Limit	
		$V_{\text{DD}} = 15\text{V}$			No Limit	
f_{CL}	Maximum Clock Frequency	$V_{\text{DD}} = 5\text{V}$	1.5	4		MHz
		$V_{\text{DD}} = 10\text{V}$	4	10		
		$V_{\text{DD}} = 15\text{V}$	5	12		
$t_{\text{PHL(R)}}$	Reset Propagation Delay	$V_{\text{DD}} = 5\text{V}$		200	450	ns
		$V_{\text{DD}} = 10\text{V}$		100	210	
		$V_{\text{DD}} = 15\text{V}$		80	170	
$t_{\text{WH(R)}}$	Minimum Reset Pulse Width	$V_{\text{DD}} = 5\text{V}$		200	450	ns
		$V_{\text{DD}} = 10\text{V}$		100	210	
		$V_{\text{DD}} = 15\text{V}$		80	170	
C_{IN}	Average Input Capacitance	Any Input		5	7.5	pF
C_{PD}	Power Dissipation Capacitance			50		pF

Note:

4. AC Parameters are guaranteed by DC correlated testing.

AC Electrical Characteristics⁽⁵⁾

CD4060BC $T_A = 25^\circ\text{C}$, $C_L = 50\text{pF}$, $R_L = 200\text{k}$, $t_r = t_f = 20\text{ ns}$, unless otherwise noted.

Symbol	Parameter	Conditions	Min.	Typ.	Max.	Units
t_{PHL4}, t_{PLH4}	Propagation Delay Time to Q_4	$V_{DD} = 5\text{V}$		550	1300	ns
		$V_{DD} = 10\text{V}$		250	525	
		$V_{DD} = 15\text{V}$		200	400	
t_{PHL}, t_{PLH}	Interstage Propagation Delay Time from Q_n to Q_{n+1}	$V_{DD} = 5\text{V}$		150	330	ns
		$V_{DD} = 10\text{V}$		60	125	
		$V_{DD} = 15\text{V}$		45	90	
t_{THL}, t_{TLH}	Transition Time	$V_{DD} = 5\text{V}$		100	200	ns
		$V_{DD} = 10\text{V}$		50	100	
		$V_{DD} = 15\text{V}$		40	80	
t_{WL}, t_{WH}	Minimum Clock Pulse Width	$V_{DD} = 5\text{V}$		170	500	ns
		$V_{DD} = 10\text{V}$		65	170	
		$V_{DD} = 15\text{V}$		50	125	
t_{rCL}, t_{fCL}	Maximum Clock Rise and Fall Time	$V_{DD} = 5\text{V}$			No Limit	ns
		$V_{DD} = 10\text{V}$			No Limit	
		$V_{DD} = 15\text{V}$			No Limit	
f_{CL}	Maximum Clock Frequency	$V_{DD} = 5\text{V}$	1	3		MHz
		$V_{DD} = 10\text{V}$	3	8		
		$V_{DD} = 15\text{V}$	4	10		
$t_{PHL(R)}$	Reset Propagation Delay	$V_{DD} = 5\text{V}$		200	450	ns
		$V_{DD} = 10\text{V}$		100	210	
		$V_{DD} = 15\text{V}$		80	170	
$t_{WH(R)}$	Minimum Reset Pulse Width	$V_{DD} = 5\text{V}$		200	450	ns
		$V_{DD} = 10\text{V}$		100	210	
		$V_{DD} = 15\text{V}$		80	170	
C_{IN}	Average Input Capacitance	Any Input		5	7.5	pF
C_{PD}	Power Dissipation Capacitance			50		pF

Note:

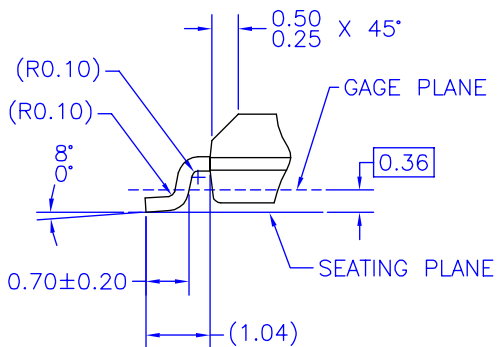
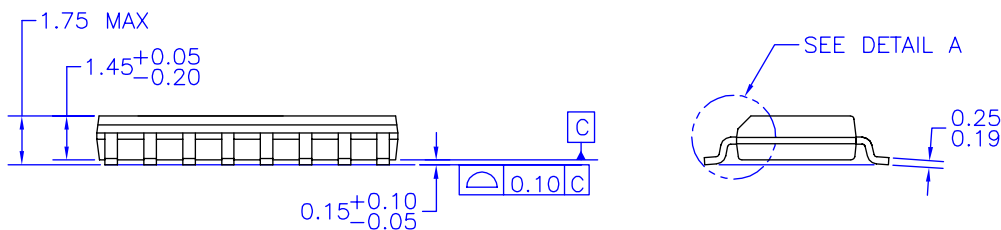
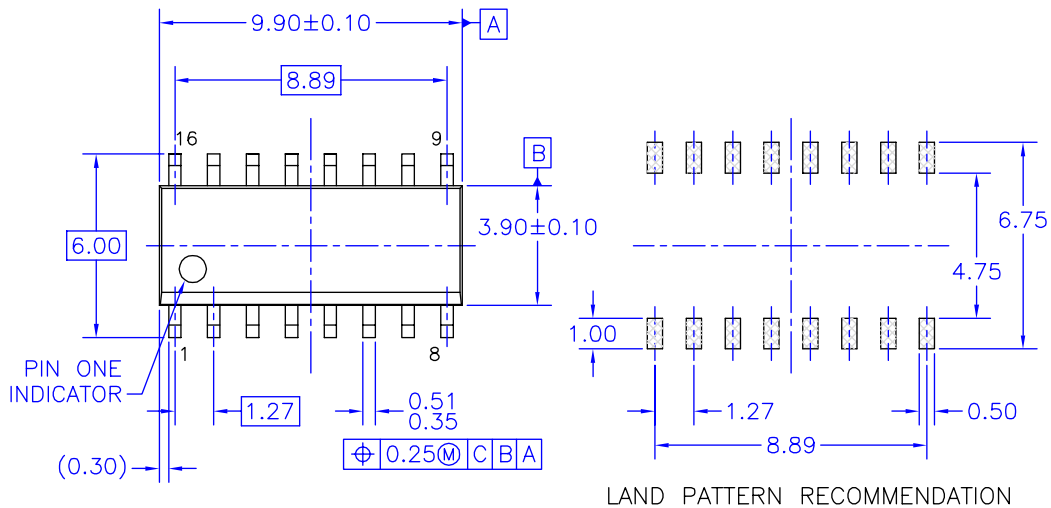
5. AC Parameters are guaranteed by DC correlated testing.

RC Oscillator Notes:

1. $R_2 = 2 R_1$ to $10 R_1$
2. RC Oscillator applications are not recommended at supply voltages below 7.0V for $R_1 < 50\text{k}\Omega$
3. $f \approx \frac{1}{2.2 R_1 C_X}$ at $V_{CC} = 10\text{V}$

Physical Dimensions

Dimensions are in millimeters unless otherwise noted.



NOTES: UNLESS OTHERWISE SPECIFIED

- A) THIS PACKAGE CONFORMS TO JEDEC MS-012, VARIATION AC, ISSUE C, DATED MAY 1990.
- B) ALL DIMENSIONS ARE IN MILLIMETERS.
- C) DIMENSIONS DO NOT INCLUDE MOLD FLASH OR BURRS.
- D) STANDARD LEAD FINISH: 200 MICRONS / 5.08 MICRONS MIN. LEAD/TIN (SOLDER) ON COPPER.

M16AREVK

Figure 1. 16-Lead Small Outline Integrated Circuit (SOIC), JEDEC MS-012, 0.150" Narrow Package Number M16A

Physical Dimensions (Continued)

Dimensions are in inches (millimeters) unless otherwise noted.

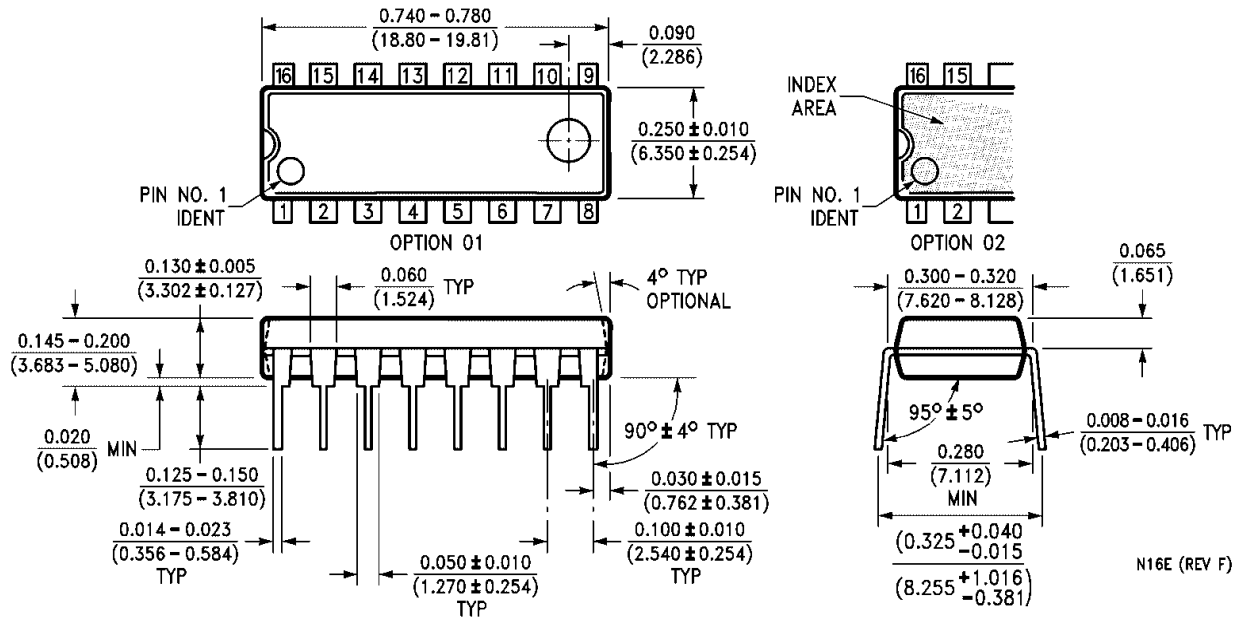


Figure 2. 16-Lead Plastic Dual-In-Line Package (PDIP), JEDEC MS-001, 0.300" Wide Package Number N16E

N16E (REV F)



TRADEMARKS

The following are registered and unregistered trademarks and service marks Fairchild Semiconductor owns or is authorized to use and is not intended to be an exhaustive list of all such trademarks

ACEx®	Green FPS™ e-Series™	Power-SPM™	SyncFET™
Build it Now™	GTO™	PowerTrench®	The Power Franchise®
CorePLUS™	<i>i-Lo</i> ™	Programmable Active Droop™	 ™
CROSSVOLT™	IntelliMAX™	QFET®	TinyBoost™
CTL™	ISOPLANAR™	QS™	TinyBuck™
Current Transfer Logic™	MegaBuck™	QT Optoelectronics™	TinyLogic®
EcoSPARK®	MICROCOUPLER™	Quiet Series™	TINYOPTO™
FACT Quiet Series™	MicroPak™	RapidConfigure™	TinyPower™
FACT®	Motion-SPM™	SMART START™	TinyPWM™
FAST®	OPTOLOGIC®	SPM®	TinyWire™
FastvCore™	OPTOPLANAR®	STEALTH™	μSerDes™
FPS™	PDP-SPM™	SuperFET™	UHC®
FRFET®	Power220®	SuperSOT™-3	UniFET™
Global Power Resource™	Power247®	SuperSOT™-6	VCX™
Green FPS™	POWEREDGE®	SuperSOT™-8	

DISCLAIMER

FAIRCHILD SEMICONDUCTOR RESERVES THE RIGHT TO MAKE CHANGES WITHOUT FURTHER NOTICE TO ANY PRODUCTS HEREIN TO IMPROVE RELIABILITY, FUNCTION, OR DESIGN. FAIRCHILD DOES NOT ASSUME ANY LIABILITY ARISING OUT OF THE APPLICATION OR USE OF ANY PRODUCT OR CIRCUIT DESCRIBED HEREIN; NEITHER DOES IT CONVEY ANY LICENSE UNDER ITS PATENT RIGHTS, NOR THE RIGHTS OF OTHERS. THESE SPECIFICATIONS DO NOT EXPAND THE TERMS OF FAIRCHILD'S WORLDWIDE TERMS AND CONDITIONS, SPECIFICALLY THE WARRANTY THEREIN, WHICH COVERS THESE PRODUCTS.

LIFE SUPPORT POLICY

FAIRCHILD'S PRODUCTS ARE NOT AUTHORIZED FOR USE AS CRITICAL COMPONENTS IN LIFE SUPPORT DEVICES OR SYSTEMS WITHOUT THE EXPRESS WRITTEN APPROVAL OF FAIRCHILD SEMICONDUCTOR CORPORATION.

As used herein:

- Life support devices or systems are devices or systems which, (a) are intended for surgical implant into the body, or (b) support or sustain life, and (c) whose failure to perform when properly used in accordance with instructions for use provided in the labeling, can be reasonably expected to result in significant injury to the user.
- A critical component is any component of a life support device or system whose failure to perform can be reasonably expected to cause the failure of the life support device or system, or to affect its safety or effectiveness.

PRODUCT STATUS DEFINITIONS

Definition of Terms

Datasheet Identification	Product Status	Definition
Advance Information	Formative or In Design	This datasheet contains the design specifications for product development. Specifications may change in any manner without notice.
Preliminary	First Production	This datasheet contains preliminary data; supplementary data will be published at a later date. Fairchild Semiconductor reserves the right to make changes at any time without notice to improve design.
No Identification Needed	Full Production	This datasheet contains final specifications. Fairchild Semiconductor reserves the right to make changes at any time without notice to improve design.
Obsolete	Not In Production	This datasheet contains specifications on a product that has been discontinued by Fairchild semiconductor. The datasheet is printed for reference information only.

Rev. I28