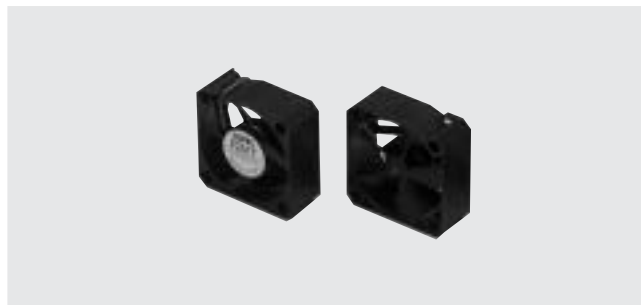


BRUSHLESS DC FANS



F251T

RoHS COMPLIANT



FEATURES

- Realized higher air flow by expansion of area of impeller
- Low noise, 12dB(A) type by the correct application of hydrodynamic design of impeller and frame
- Longer operating life and low-noise by sealed bearing structure
- FG signal output available to monitor change in motor condition

STRUCTURE

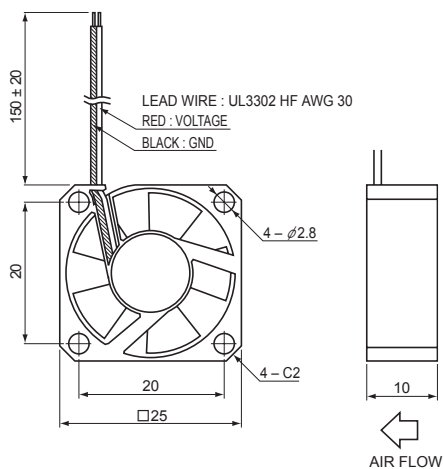
- Frame and impeller
ABS/PBT alloy
- Bearing
C type : Sleeve bearing

STANDARD SPECIFICATIONS

Part number \ Item	Rated voltage(V)	Voltage range (V)	Rated current (A)	Rotating speed (min ⁻¹)	Air flow (m ³ /min)	Static pressure(Pa)	Noise dB(A)
F251T-12LLC	12	10.2 ~ 13.8	0.08	6,000	0.046	14	12
F251T-05LLC	5	4.5 ~ 5.7	(0.19)	6,000	0.046	14	12

※ Figures in the table are typical values under rated operating condition.
The values in () may be changed in the process of final evaluation.

OUTLINE DIMENSIONS (Unit : mm)



AIR FLOW PERFORMANCE CURVES

