



DKSB1007A

BOARD ADAPTER DVI/VGA L137

17 November 2009

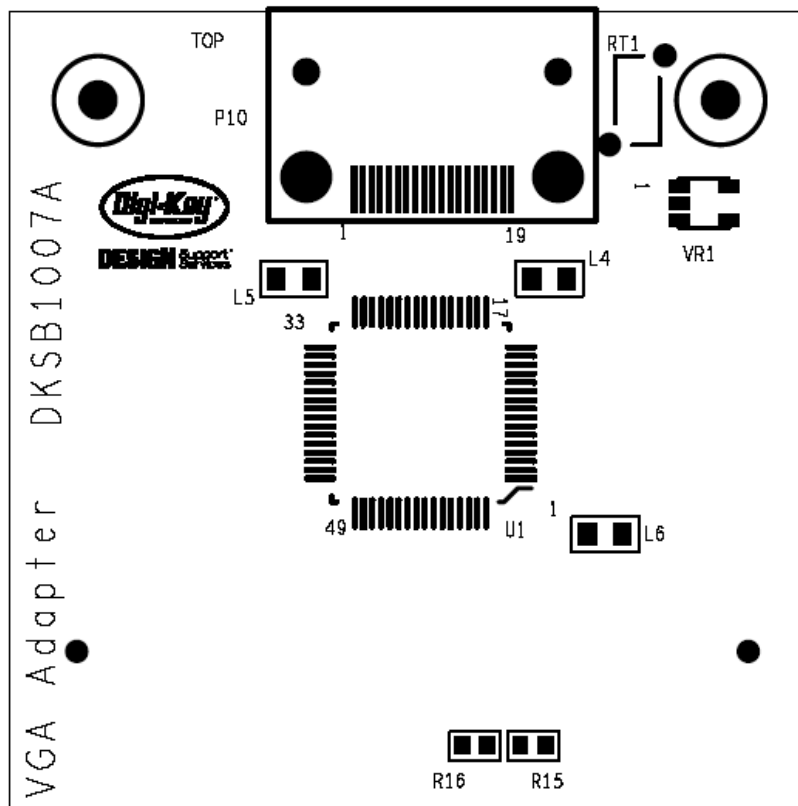
Features

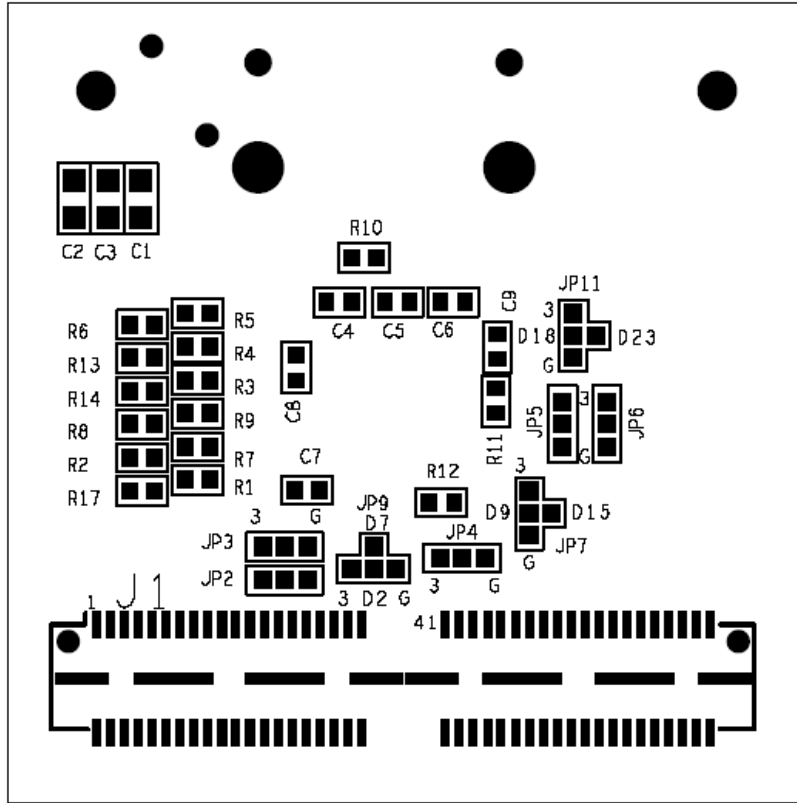
- Small board footprint
- TFP410 digital transmitter interface IC
- Jumper pads for customization

Functional Description

The DKSB1007 is an HDMI-to-VGA adapter board for the OMAP-L137/TMS320C6747. The adapter utilizes the TFP410 from Texas Instruments as the interface IC.

Layout

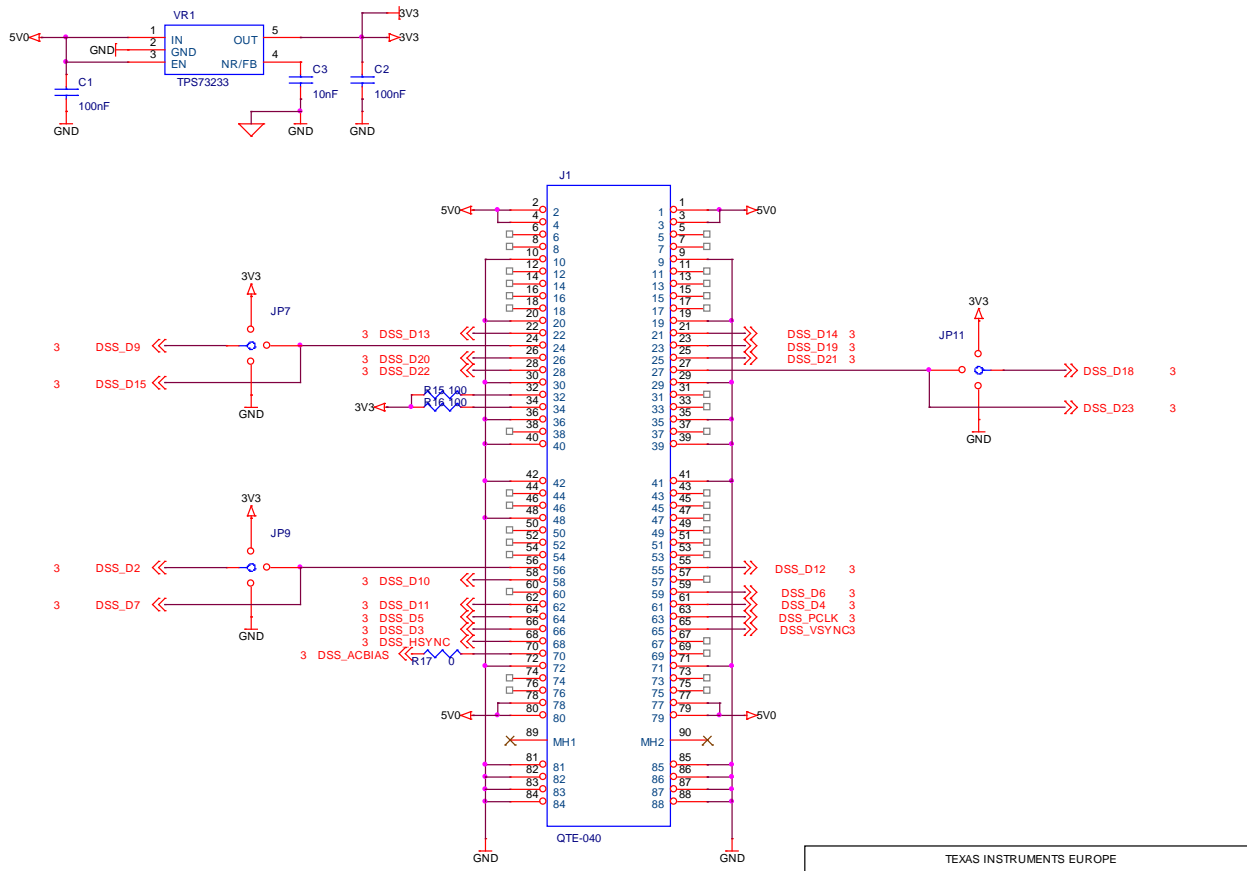




Bill of Materials

Part	Digi-Key PN	Description	Manufacturer PN
U1	296-12666-ND	IC TRANSMITTER DIGITAL 64-HTQFP	TFP410PAP
VR1	296-15812-2-ND	IC LDO REG 250MA 3.3V SOT23-5	TPS73233DBVT
P10	WM19086TR-ND	CONN RCPT 19POS HDMI RT ANG SMD	47151-0001
L4-L6	445-2171-1-ND	FERRITE CHIP 300 OHM 500MA 0603	MMZ1608R301A
J1	SAM8132-ND	CONN HEADER HI-SPEED DUAL 80POS	QTE-040-01-L-D-A
C1,C2	490-1683-1-ND	CAP CER .1UF 16V 10% X7R 0805	GRM219R71C104KA01D
C3	445-2672-1-ND	CAP CER 10000PF 25V C0G 5% 0805	C2012C0G1E103J
C4-C9	399-1095-1-ND	CAP .10UF 10V CERAMIC X7R 0603	C0603C104K8RACTU
R1	311-36.0KHRCT-ND	RES 36.0K OHM 1/10W 1% 0603 SMD	RC0603FR-0736KL
R2,R3,R5,R6,R14	311-10.0KHRCT-ND	RES 10.0K OHM 1/10W 1% 0603 SMD	RC0603FR-0710KL
R4,R7-R9,R11	311-1.00KHRCT-ND	RES 1.00K OHM 1/10W 1% 0603 SMD	RC0603FR-071KL
R10	311-510HRCT-ND	RES 510 OHM 1/10W 1% 0603 SMD	RC0603FR-07510RL
R12,R13	311-4.70KHRCT-ND	RES 4.70K OHM 1/10W 1% 0603 SMD	RC0603FR-074K7L
R15,R16	311-100HRCT-ND	RES 100 OHM 1/10W 1% 0603 SMD	RC0603FR-07100RL
R17	311-0.0GRCT-ND	RES 0.0 OHM 1/10W 5% 0603 SMD	RC0603JR-070RL

Schematic



TEXAS INSTRUMENTS EUROPE			
/FW			
Title			
Display Adapter 02			
Size	Document Number	CONNECTOR/POWER	Rev
A4			1.0
Date: Tuesday, November 17, 2009		Sheet	1 of 2

Copyright

Use of this document is limited to customer's internal business use for the evaluation and purchase of products. No permission is granted to the user to copy, print, store, distribute, transmit, display in public or modify the content of this document in any way for any other purpose.

© Copyright 2009 Digi-Key Corporation. All rights reserved.