

## Features

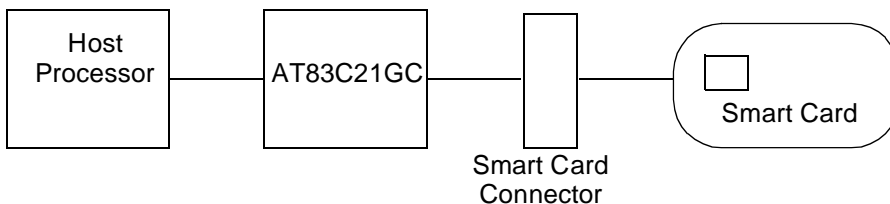
- Smart Card Interface
  - Compliance with Standards
    - ISO/IEC 7816-1, 2, 3 and 4
    - EMV 2000
    - CB
    - Mondex®, Proton, ZKA, Other: Contact Gemplus®
  - Supported Smart Cards
    - Number of Smart Cards Supported: 1
    - Asynchronous Cards: T=0 and T=1
    - Synchronous/Memory Cards Using a Command Interpreter
    - EMV or Non EMV Cards
- Electrical Interface
  - Transmission Speed: 9.6 Kbps to 115 Kbps
  - Card Power Supply: 1.8V/3V/5V
  - ESD Protection On Card Pins: 4 KV - Human Body Model
  - Card Presence or Insertion Detection
  - Short Circuit Current Limitation
- Host Interface
  - Physical Layer
    - Serial Asynchronous Link
    - Programmable Transmission Speed From 1,200 bps to 115,200 bps
    - Format: 8 bits, No Parity, 1 Stop Bit
    - Adjustable Signal Voltage
  - Protocol
    - Gemplus Block Protocol (GBP)
    - GBP Interface Library Kit Source Code
- Chip Power Supply
  - Voltage:  $V_{CC}$ - 2.85V to 5.4V
  - Consumption: 8 mA Typical, 150 mA Max - Smart Card Powered
  - Power Down Mode
    - 100  $\mu$ A Max Power Down Current
    - Power-down/Power-up by Host Command
- Additional Features
  - Operating Temperature Range: 0°C to +70°C (-40°C to +85°C)
  - Package: SS0P24
  - LED Management: The LED is On When the Card is Powered On

## Description

AT83C21GC is designed to simplify the integration of smart card interfaces in electronic devices.

It manages the electrical interface and communication with ISO 7816 –1/2/3/4 compatible smart cards and memory cards.

**Figure 1.** Basic Architecture of a Smart Card Reader



## GemCore Serial Lite PRO

## AT83C21GC

## Summary

Rev. 4247BS-SCR-05/04



This is a summary Document. A complete document is available on the Gemplus Web site. [www.gemplus.com](http://www.gemplus.com)



The connection with the host processor is achieved via a serial asynchronous link; the rate can be selected from a range from 1200 to 115,200 bps.

The software inside the GemCore chip handles a communication protocol with the host system called the Gemplus Block Protocol (GBP).

**A complete set of documentation is available on the Gemplus web site: <http://www.gemplus.com>.**

A GBP Interface Library Kit can be provided, upon request. It consists of the source code of the GBP communication layer between the host and GemCore. It is written in the C language. See the Gemplus developers' site at [www.gemplus.com](http://www.gemplus.com). Enquiries can also be posted to [cardreader@atmel.com](mailto:cardreader@atmel.com).

**Ordering information**

Part Number	Temperature Range	Package	Packing
AT83C21GCxxx-ICSIL	Industrial	SSOP24	Stick
AT83C21GCxxx-ICRIL	Industrial	SSOP24	Tape & Reel

xxx : Firmware version

# Pin Description

Figure 2. 24-pin SSOP Pinout

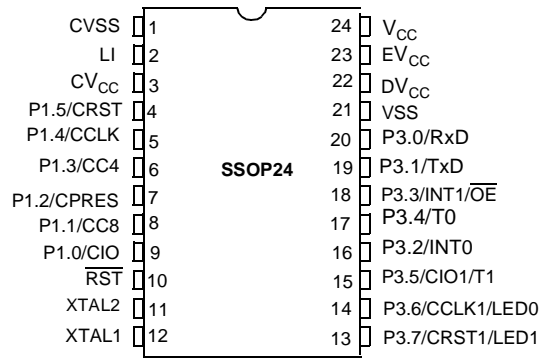


Table 1. Port Signal Description

Port	Signal Name	Internal Power Supply	ESD	Type	Description
P1.0	CIO	CV <sub>CC</sub>	4 kV	I/O	<b>Smart Card Interface Function</b> Card I/O – Pull-up medium is lower than 20KΩ
P1.1	CC8	CV <sub>CC</sub>	4 kV	I/O	<b>Smart Card Interface Function</b> Card contact 8 – Pull-up medium must be less than 20KΩ
P1.2	CPRES	V <sub>CC</sub>	4 kV	I	<b>Smart Card Interface Function</b> Card presence
P1.3	CC4	CV <sub>CC</sub>	4 kV	I/O	<b>Smart Card Interface Function</b> Card contact 4 – Pull-up medium must be less than 20KΩ
P1.4	CCLK	CV <sub>CC</sub>	4 kV	O	<b>Smart Card Interface Function</b> Card clock
P1.5	CRST	CV <sub>CC</sub>	4 kV	O	<b>Smart Card Interface Function</b> Card reset – Pull-up medium must be less than 20KΩ
P3.0	RxD	EV <sub>CC</sub>		I	<b>UART Function</b> Receive data input
P3.1	TxD	EV <sub>CC</sub>		O	<b>UART Function</b> Transmit data output.
P3.2	INT0	DV <sub>CC</sub>		I/O	<b>Input/Output Function</b> P3.2 is a bi-directional I/O port with internal pull-ups.
P3.3	INT1	EV <sub>CC</sub>		I/O	<b>Input/Output Function</b> P3.3 is a bi-directional I/O port with internal pull-ups.
P3.4		EV <sub>CC</sub>		I/O	<b>Input/Output Function</b> P3.4 is a bi-directional I/O port with internal pull-ups.
P3.5	CIO1	DV <sub>CC</sub>		I/O	<b>Alternate Card Function</b> Card I/O: Pull-up medium must be less than 20K

**Table 1. Port Signal Description (Continued)**

Port	Signal Name	Internal Power Supply	ESD	Type	Description
P3.6	CCLK1	DV <sub>CC</sub>		O	<b>LED function</b> These pins can be directly connected to the cathode of the standard LED without external current limiting resistors. The typical current of each output can be programmed by software to 2, 4 or 10 mA (LEDCON register).
P3.7	CRST1	DV <sub>CC</sub>		I/O	<b>Input/Output Function</b> P3.7 is a bi-directional I/O port with internal pull-ups.
RST		V <sub>CC</sub>		I/O	<b>Reset Input</b> Holding this pin low for 64 oscillator periods while the oscillator is running resets the device. The Port pins are driven to their reset conditions when a voltage lower than V <sub>IL</sub> is applied, whether or not the oscillator is running. This pin has an internal pull-up resistor which allows the device to be reset by connecting a capacitor between this pin and VSS. Asserting $\overline{\text{RST}}$ when the chip is in Idle mode or Power-down mode returns the chip to normal operation. The output is active for at least 12 oscillator periods when an internal reset occurs.
XTAL1		V <sub>CC</sub>		I	<b>Input to the on-chip Inverting Oscillator Amplifier</b> To use the internal oscillator, a crystal/resonator circuit is connected to this pin. If an external oscillator is used, its output is connected to this pin.
XTAL2		V <sub>CC</sub>		O	<b>Output of the on-chip Inverting Oscillator Amplifier</b> To use the internal oscillator, a crystal/resonator circuit is connected to this pin. If an external oscillator is used, XTAL2 may be left unconnected.
V <sub>CC</sub>				PWR	<b>Supply Voltage</b> V <sub>CC</sub> is used to power the internal voltage regulators and internal I/O's.
LI				PWR	<b>DC/DC Input</b> LI must be tied to V <sub>CC</sub> through an external coil (typically 4, 7 $\mu\text{H}$ ) and provide the current for the pump charge of the DC/DC converter.
CV <sub>CC</sub>				PWR	<b>Card Supply Voltage</b> CV <sub>CC</sub> is the programmable voltage output for the Card interface. It must be connected to an external decoupling capacitor.
DV <sub>CC</sub>				PWR	<b>Digital Supply Voltage</b> DV <sub>CC</sub> is used to supply the digital core and internal I/Os. It is internally connected to the output of a 3V regulator and must be connected to an external decoupling capacitor.
EV <sub>CC</sub>		V <sub>CC</sub>		PWR	<b>Extra Supply Voltage</b> EV <sub>CC</sub> is used to supply the level shifters of UART interface I/O pins. It must be connected to an external decoupling capacitor. This reference voltage is generated internally (automatically or not), or it can be connected to an external voltage reference.
CVSS				GND	<b>DC/DC Ground</b> CVSS is used to sink high shunt currents from the external coil.
VSS				GND	<b>Ground</b>



## Atmel Headquarters

### Corporate Headquarters

2325 Orchard Parkway  
San Jose, CA 95131  
TEL 1(408) 441-0311  
FAX 1(408) 487-2600

### Europe

Atmel Sarl  
Route des Arsenaux 41  
Case Postale 80  
CH-1705 Fribourg  
Switzerland  
TEL (41) 26-426-5555  
FAX (41) 26-426-5500

### Asia

Room 1219  
Chinachem Golden Plaza  
77 Mody Road Tsimhatsui  
East Kowloon  
Hong Kong  
TEL (852) 2721-9778  
FAX (852) 2722-1369

### Japan

9F, Tonetsu Shinkawa Bldg.  
1-24-8 Shinkawa  
Chuo-ku, Tokyo 104-0033  
Japan  
TEL (81) 3-3523-3551  
FAX (81) 3-3523-7581

## Atmel Operations

### Memory

2325 Orchard Parkway  
San Jose, CA 95131  
TEL 1(408) 441-0311  
FAX 1(408) 436-4314

### Microcontrollers

2325 Orchard Parkway  
San Jose, CA 95131  
TEL 1(408) 441-0311  
FAX 1(408) 436-4314

La Chantrerie  
BP 70602  
44306 Nantes Cedex 3, France  
TEL (33) 2-40-18-18-18  
FAX (33) 2-40-18-19-60

### ASIC/ASSP/Smart Cards

Zone Industrielle  
13106 Rousset Cedex, France  
TEL (33) 4-42-53-60-00  
FAX (33) 4-42-53-60-01

1150 East Cheyenne Mtn. Blvd.  
Colorado Springs, CO 80906  
TEL 1(719) 576-3300  
FAX 1(719) 540-1759

Scottish Enterprise Technology Park  
Maxwell Building  
East Kilbride G75 0QR, Scotland  
TEL (44) 1355-803-000  
FAX (44) 1355-242-743

### RF/Automotive

Theresienstrasse 2  
Postfach 3535  
74025 Heilbronn, Germany  
TEL (49) 71-31-67-0  
FAX (49) 71-31-67-2340

1150 East Cheyenne Mtn. Blvd.  
Colorado Springs, CO 80906  
TEL 1(719) 576-3300  
FAX 1(719) 540-1759

### Biometrics/Imaging/Hi-Rel MPU/ High Speed Converters/RF Data- com

Avenue de Rochepleine  
BP 123  
38521 Saint-Egreve Cedex, France  
TEL (33) 4-76-58-30-00  
FAX (33) 4-76-58-34-80

---

### e-mail

[literature@atmel.com](mailto:literature@atmel.com)

### Web Site

<http://www.atmel.com>

Disclaimer: Atmel Corporation makes no warranty for the use of its products, other than those expressly contained in the Company's standard warranty which is detailed in Atmel's Terms and Conditions located on the Company's web site. The Company assumes no responsibility for any errors which may appear in this document, reserves the right to change devices or specifications detailed herein at any time without notice, and does not make any commitment to update the information contained herein. No licenses to patents or other intellectual property of Atmel are granted by the Company in connection with the sale of Atmel products, expressly or by implication. Atmel's products are not authorized for use as critical components in life support devices or systems.

© Atmel Corporation 2004. All rights reserved. Atmel, the Atmel logo, and combinations thereof are registered trademarks of Atmel Corporation or its subsidiaries. Gemplus is a registered trademark of Gemplus. Mondex is a registered trademark of Mondex International Limited.

Other terms and product names in this document may be the trademarks of others.



Printed on recycled paper.