

## Features

- Programmable 16, 777, 216 x 1-bit Serial Memories Designed to Store Configuration Programs for Field Programmable Gate Arrays (FPGAs)
- 3.3V Output Capability
- 5V Tolerant I/O Pins
- Program Support using the Atmel ATDH2200E System or Industry Third Party Programmers
- In-System Programmable (ISP) via 2-wire Bus
- Simple Interface to SRAM FPGAs
- Compatible with Atmel AT40K and AT94K Devices, Altera FLEX<sup>®</sup>, Excalibur<sup>™</sup>, Stratix<sup>™</sup>, Cyclone<sup>™</sup> and APEX<sup>™</sup> Devices
- Cascadable Read-back to Support Additional Configurations or Higher-density Arrays
- Low-power CMOS FLASH Process
- Available in 8-lead LAP and 20-lead PLCC Packages
- Emulation of Atmel's AT24CXXX Serial EEPROMs
- Low-power Standby Mode
- Single Device Capable of Holding 4 Bit Stream Files Allowing Simple System Reconfiguration
- Fast Serial Download Speeds up to 33 MHz
- Endurance: 10,000 Write Cycles Typical
- LHF Package Available (Lead and Halide Free)

## Description

The AT17FxxA Series of In-System Programmable Configuration PROMs (Configurators) provide an easy-to-use, cost-effective configuration memory for Field Programmable Gate Arrays. The AT17FxxA Series device is packaged in the 8-lead LAP and 20-lead PLCC, see Table 1. The AT17FxxA Series Configurator uses a simple serial-access procedure to configure one or more FPGA devices.

The AT17FxxA Series Configurators can be programmed with industry-standard programmers, Atmel's ATDH2200E Programming Kit or Atmel's ATDH2225 ISP Cable.

**Table 1.** AT17FxxA Series Packages

Package	AT17F16A
8-lead LAP	Yes
20-lead PLCC	Yes



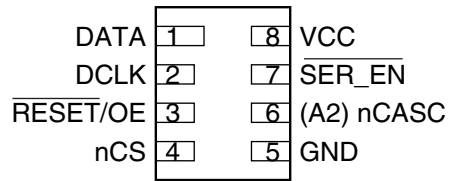
## FPGA Configuration Flash Memory

### AT17F16A

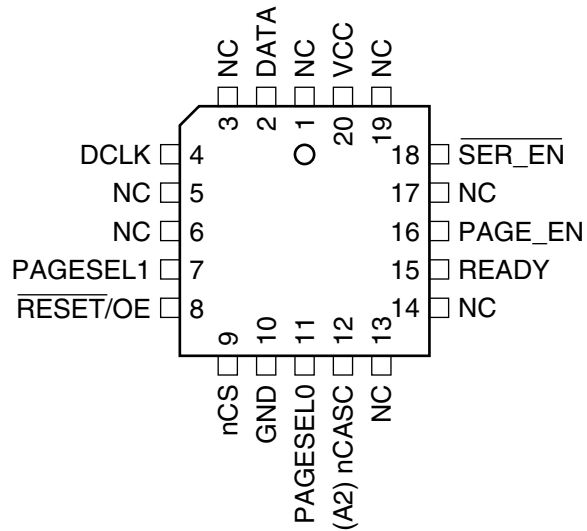


## Pin Configuration

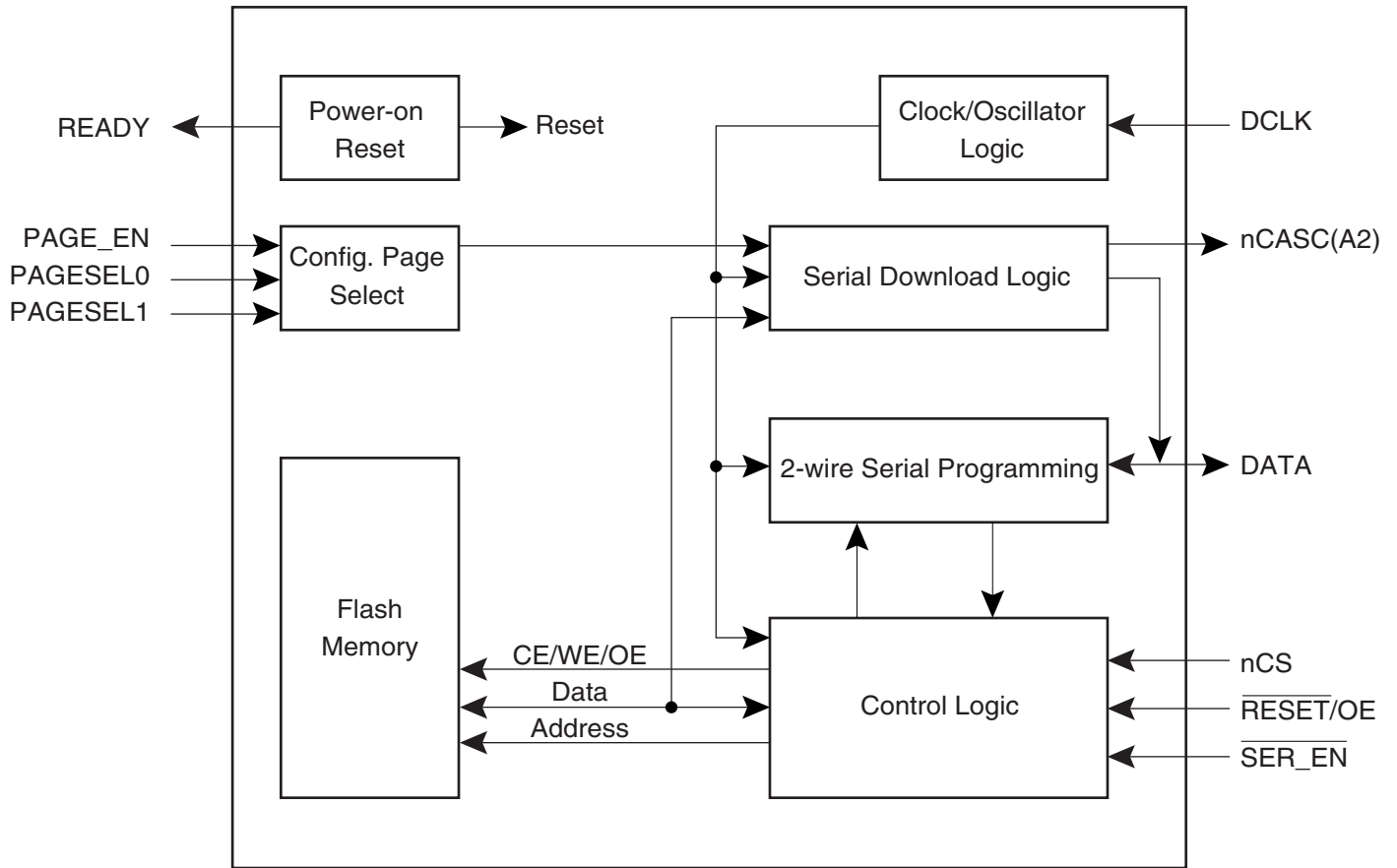
### 8-lead LAP



### 20-lead PLCC



Block Diagram



Device Description

The control signals for the configuration memory device (**nCS**, **RESET/OE** and **DCLK**) interface directly with the FPGA device control signals. All FPGA devices can control the entire configuration process and retrieve data from the configuration device without requiring an external intelligent controller.

The **RESET/OE** and **nCS** pins control the tri-state buffer on the **DATA** output pin and enable the address counter. When **RESET/OE** is driven Low, the configuration device resets its address counter and tri-states its **DATA** pin. The **nCS** pin also controls the output of the AT17FxxA Series Configurator. If **nCS** is held High after the **RESET/OE** reset pulse, the counter is disabled and the **DATA** output pin is tri-stated. When **OE** is subsequently driven High, the counter and the **DATA** output pin are enabled. When **RESET/OE** is driven Low again, the address counter is reset and the **DATA** output pin is tri-stated, regardless of the state of **nCS**.

When the configurator has driven out all of its data and **nCASC** is driven Low, the device tri-states the **DATA** pin to avoid contention with other configurators. Upon power-up, the address counter is automatically reset.



## Pin Description

Name	I/O	AT17F16A	
		8 LAP	20 PLCC
DATA	I/O	1	2
DCLK	I/O	2	4
PAGE_EN	I	–	16
PAGESEL0	I	–	11
PAGESEL1	I	–	7
$\overline{\text{RESET/OE}}$	I	3	8
nCS	I	4	9
GND	–	5	10
nCASC	O	6	12
A2	I		
READY	O	–	15
$\overline{\text{SER\_EN}}$	I	7	18
V <sub>CC</sub>	–	8	20

### DATA<sup>(1)</sup>

Three-state DATA output for FPGA configuration. Open-collector bi-directional pin for configuration programming.

### DCLK<sup>(1)</sup>

Three-state clock. Functions as an input when the Configurator is in programming mode (i.e.,  $\overline{\text{SER\_EN}}$  is Low) and as an output during FPGA configuration.

### PAGE\_EN<sup>(2)</sup>

Input used to enable page download mode. When PAGE\_EN is high the configuration download address space is partitioned into 4 equal pages. This gives users the ability to easily store and retrieve multiple configuration bitstreams from a single configuration device. This input works in conjunction with the PAGESEL inputs. PAGE\_EN must remain low if paging is not desired. When  $\overline{\text{SER\_EN}}$  is Low (ISP mode) this pin has no effect.

- Notes:
1. This pin has an internal 20 K $\Omega$  pull-up resistor.
  2. This pin has an internal 30 K $\Omega$  pull-down resistor.

## PAGESEL[1:0]<sup>(2)</sup>

Page select inputs. Used to determine which of the 4 memory pages are targeted during a serial configuration download. The address space for each of the pages is shown in Table 2. When SER\_EN is Low (ISP mode) these pins have no effect.

**Table 2.** Address Space

Paging Decodes	AT17F16A (16 Mbits)
PAGESEL = 00, PAGE_EN = 1	00000 – 3FFFFh
PAGESEL = 01, PAGE_EN = 1	40000 – 7FFFFh
PAGESEL = 10, PAGE_EN = 1	80000 – BFFFFh
PAGESEL = 11, PAGE_EN = 1	C0000 – FFFFFh
PAGESEL = XX, PAGE_EN = 0	00000 – FFFFFh

## RESET/OE<sup>(1)</sup>

Output Enable (active High) and RESET (active Low) when SER\_EN is High. A Low level on RESET/OE resets both the address and bit counters. A High level (with nCS Low) enables the data output driver.

## nCS<sup>(1)</sup>

Chip Enable input (active Low). A Low level (with OE High) allows DCLK to increment the address counter and enables the data output driver. A High level on nCS disables both the address and bit counters and forces the device into a low-power standby mode. Note that this pin will *not* enable/disable the device in the 2-wire Serial Programming mode (SER\_EN Low).

## GND

Ground pin. A 0.2 μF decoupling capacitor between V<sub>CC</sub> and GND is recommended.

## nCASC

Cascade Select Output (when SER\_EN is High). This output goes Low when the internal address counter has reached its maximum value. If the PAGE\_EN input is set High, the maximum value is the highest address in the selected partition. The PAGESEL[1:0] inputs are used to make the 4 partition selections. If the PAGE\_EN input is set Low, the device is not partitioned and the address maximum value is the highest address in the device, see Table 2 on page 5. In a daisy chain of AT17FxxA Series devices, the nCASC pin of one device must be connected to the nCS input of the next device in the chain. It will stay Low as long as nCS is Low and OE is High. It will then follow nCS until OE goes Low; thereafter, nCASC will stay High until the entire EEPROM is read again.

## A2<sup>(1)</sup>

Device selection input, (when SER\_EN Low). The input is used to enable (or chip select) the device during programming (i.e., when SER\_EN is Low). Refer to the AT17FxxA Programming Specification available on the Atmel web site ([www.atmel.com](http://www.atmel.com)) for additional details.

## READY

Open collector reset state indicator. Driven Low during power-up reset, released when power-up is complete. (Recommended 4.7 kΩ pull-up on this pin if used.)

## SER\_EN<sup>(1)</sup>

The serial enable input must remain High during FPGA configuration operations. Bringing SER\_EN Low enables the 2-Wire Serial Programming Mode. For non-ISP applications, SER\_EN should be tied to V<sub>CC</sub>.

## V<sub>CC</sub>

+3.3V (±10%).

- Notes:
1. This pin has an internal 20 KΩ pull-up resistor.
  2. This pin has an internal 30 KΩ pull-down resistor.



## FPGA Master Serial Mode Summary

The I/O and logic functions of any SRAM-based FPGA are established by a configuration program. The program is loaded either automatically upon power-up, or on command, depending on the state of the FPGA mode pins. In Master mode, the FPGA automatically loads the configuration program from an external memory. The AT17FxxA Serial Configuration PROM has been designed for compatibility with the Master Serial mode.

This document discusses the configurator used in Altera applications.

## Control of Configuration

Most connections between the FPGA device and the AT17FxxA Serial Configurator PROM are simple and self-explanatory.

- The DATA output of the AT17FxxA Series Configurator drives DIN of the FPGA devices.
- The DCLK output of the AT17FxxA device drives the DCLK input data of the FPGA.
- The nCASC output of a AT17FxxA Series Configurator drives the  $\overline{\text{nCS}}$  input of the next Configurator in a cascade chain of configurator devices.
- $\overline{\text{SER\_EN}}$  must be at logic High level (internal pull-up resistor provided) except during ISP.
- The READY pin is available as an open-collector indicator of the device's reset status; it is driven Low while the device is in its power-on reset cycle and released (tri-stated) when the cycle is complete.
- PAGE\_EN must REMAIN Low if download paging is not desired. If paging is desired, PAGE\_EN must be High and the PAGESEL pins must be set to High or Low such that the desired page is selected, see Table 2 on page 5.

## Cascading Serial Configuration Devices

For multiple FPGAs configured as a daisy-chain, or for FPGAs requiring larger configuration memories, cascaded configurators provide additional memory.

After the last bit from the first configurator is read, the clock signal to the configurator asserts its nCASC output Low and disables its DATA line driver. The second configurator recognizes the Low level on its nCS input and enables its DATA output.

After configuration is complete, the address counters of all cascaded configurators are reset if the  $\overline{\text{RESET/OE}}$  on each configurator is driven to its active (Low) level.

If the address counters are not to be reset upon completion, then the  $\overline{\text{RESET/OE}}$  input can be tied to its inactive (High) level.

## Programming Mode

The programming mode is entered by bringing  $\overline{\text{SER\_EN}}$  Low. In this mode the chip can be programmed by the 2-wire serial bus. The programming is done at  $V_{CC}$  supply only. Programming super voltages are generated inside the chip. The AT17FxxA parts are read/write at 3.3V nominal. Refer to the AT17FxxA Programming Specification available on the Atmel web site ([www.atmel.com](http://www.atmel.com)) for more programming details. AT17FxxA devices are supported by the Atmel ATDH2200 programming system along with many third party programmers.

## Standby Mode

The AT17FxxA Series Configurator enter a low-power standby mode whenever  $\overline{\text{SER\_EN}}$  is High and nCS is asserted High. In this mode, the AT17FxxA Configurator typically consumes less than 1 mA of current at 3.3V. The output remains in a high-impedance state regardless of the state of the OE input.

## Absolute Maximum Ratings\*

Operating Temperature.....	-40°C to +85°C
Storage Temperature .....	-65°C to +150°C
Voltage on Any Pin with Respect to Ground .....	-0.5V to $V_{CC} + 0.5V$
Supply Voltage ( $V_{CC}$ ) .....	-0.5V to +4.0V
Maximum Soldering Temp. (10 sec. @ 1/16 in.).....	260°C
ESD ( $R_{ZAP} = 1.5K$ , $C_{ZAP} = 100$ pF).....	2000V

\*NOTICE: Stresses beyond those listed under Absolute Maximum Ratings may cause permanent damage to the device. This is a stress rating only and functional operation of the device at these or any other conditions beyond those listed under operating conditions is not implied. Exposure to Absolute Maximum Rating conditions for extended periods of time may affect device reliability.

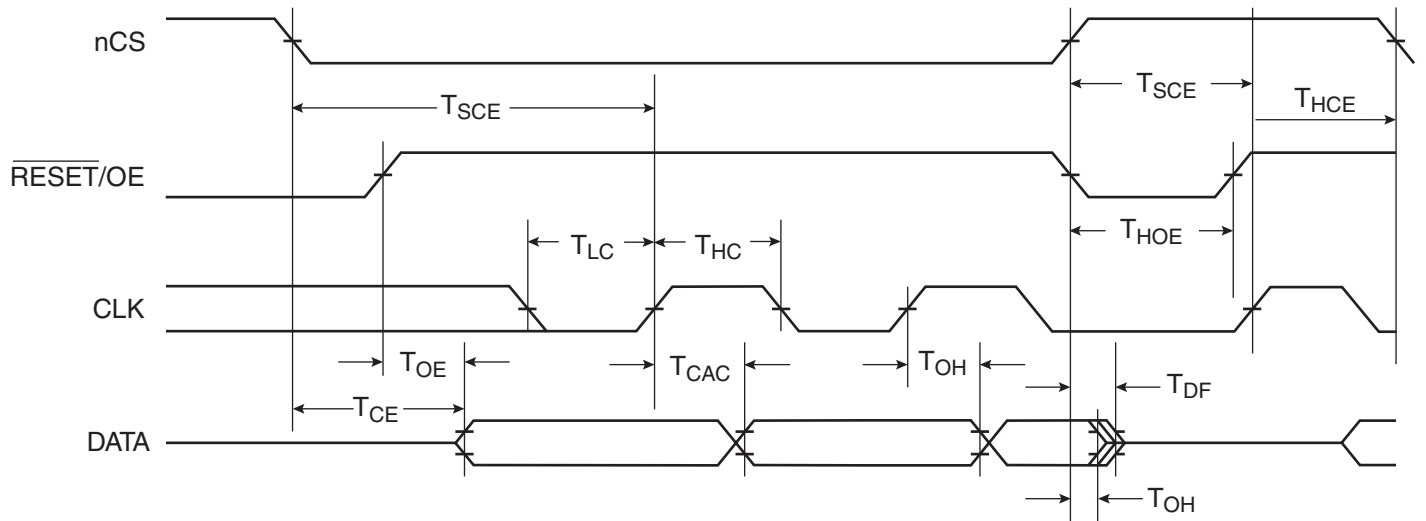
## Operating Conditions

Symbol	Description	AT17FxxA Series Configurator		Units
		Min	Max	
$V_{CC}$	Commercial	Supply voltage relative to GND -0°C to +70°C		V
	Industrial	Supply voltage relative to GND -40°C to +85°C		V

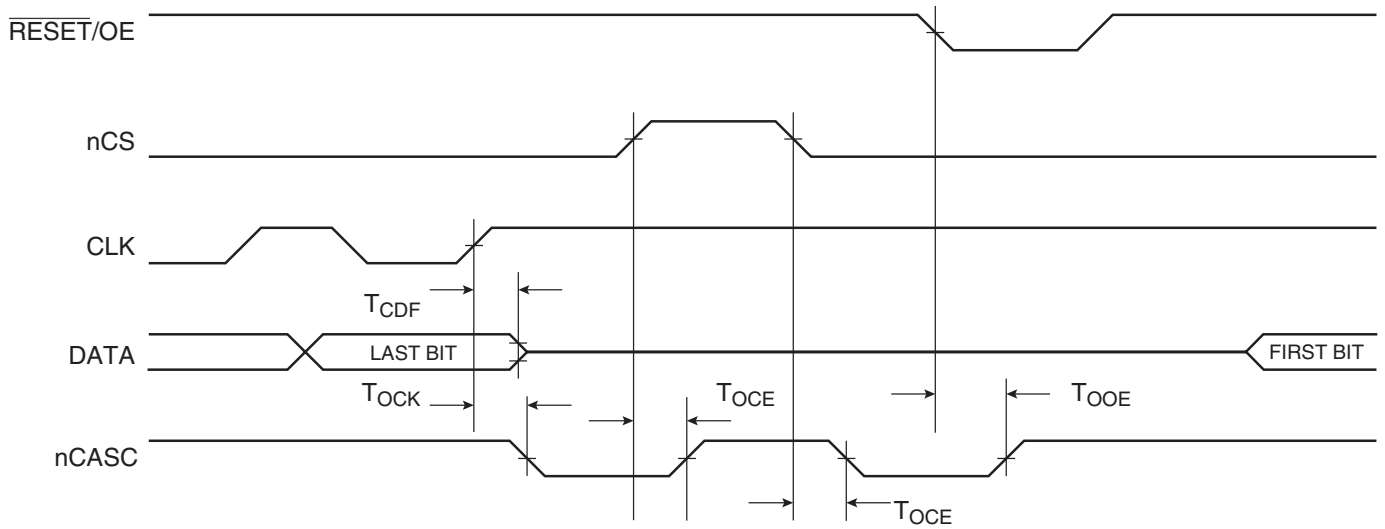
## DC Characteristics

Symbol	Description	AT17F16A		Units
		Min	Max	
$V_{IH}$	High-level Input Voltage	2.0	$V_{CC}$	V
$V_{IL}$	Low-level Input Voltage	0	0.8	V
$V_{OH}$	High-level Output Voltage ( $I_{OH} = -2.5$ mA)	2.4	0.4	V
$V_{OL}$	Low-level Output Voltage ( $I_{OL} = +3$ mA)			V
$V_{OH}$	High-level Output Voltage ( $I_{OH} = -2$ mA)	2.4	0.4	V
$V_{OL}$	Low-level Output Voltage ( $I_{OL} = +3$ mA)			V
$I_{CCA}$	Supply Current, Active Mode at Freq. Max.		50	mA
$I_L$	Input or Output Leakage Current ( $V_{IN} = V_{CC}$ or GND)	-10	10	$\mu A$
$I_{CCS}$	Supply Current, Standby Mode	Commercial	3	mA
		Industrial	3	mA

## AC Characteristics



## AC Characteristics when Cascading





## AC Characteristics

Symbol	Description	AT17F16A		Units	
		Min	Max		
T <sub>OE</sub> <sup>(2)</sup>	OE to Data Delay	Commercial		50	ns
		Industrial <sup>(1)</sup>		55	ns
T <sub>CE</sub> <sup>(2)</sup>	nCS to Data Delay	Commercial		55	ns
		Industrial <sup>(1)</sup>		60	ns
T <sub>CAC</sub> <sup>(2)</sup>	DCLK to Data Delay	Commercial		30	ns
		Industrial <sup>(1)</sup>		30	ns
T <sub>OH</sub>	Data Hold from nCS, OE, or DCLK	Commercial	0		ns
		Industrial <sup>(1)</sup>	0		ns
T <sub>DF</sub> <sup>(3)</sup>	nCS or OE to Data Float Delay	Commercial		15	ns
		Industrial <sup>(1)</sup>		15	ns
T <sub>LC</sub>	DCLK Low Time	Commercial	15		ns
		Industrial <sup>(1)</sup>	15		ns
T <sub>HC</sub>	DCLK High Time	Commercial	15		ns
		Industrial <sup>(1)</sup>	15		ns
T <sub>SCE</sub>	nCS Setup Time to DCLK (to guarantee proper counting)	Commercial	20		ns
		Industrial <sup>(1)</sup>	25		ns
T <sub>HCE</sub>	nCS Hold Time from DCLK (to guarantee proper counting)	Commercial	0		ns
		Industrial <sup>(1)</sup>	0		ns
T <sub>HOE</sub>	$\overline{\text{RESET}}$ /OE Low Time (guarantees counter is reset)	Commercial	20		ns
		Industrial <sup>(1)</sup>	20		ns
F <sub>MAX</sub>	Maximum Input Clock Frequency $\overline{\text{SEREN}} = 0$ (in 2-wire mode)	Commercial		10	MHz
		Industrial <sup>(1)</sup>		10	MHz
T <sub>WR</sub>	Write Cycle Time <sup>(4)</sup>	Commercial		30	μs
		Industrial <sup>(1)</sup>		30	μs
T <sub>EC</sub>	Erase Cycle Time <sup>(4)</sup>	Commercial		10	μs
		Industrial <sup>(1)</sup>		10	μs

- Notes:
1. Preliminary specifications for military operating range only.
  2. AC test lead = 50 pF.
  3. Float delays are measured with 5 pF AC loads. Transition is measured  $\pm 200$  mV from steady-state active levels.
  4. See the AT17FxxA Programming Specification for procedural information.
  5. Times given are per byte typical.

## AC Characteristics When Cascading

Symbol	Description	AT17F16A		Units	
		Min	Max		
T <sub>CDF</sub> <sup>(3)</sup>	DCLK to Data Float Delay	Commercial	–	50	ns
		Industrial	–	50	ns
T <sub>OCK</sub> <sup>(2)</sup>	DCLK to nCASC Delay	Commercial	–	50	ns
		Industrial	–	55	ns
T <sub>OCE</sub> <sup>(2)</sup>	nCS to nCASC Delay	Commercial	–	35	ns
		Industrial	–	40	ns
T <sub>OOE</sub> <sup>(2)</sup>	$\overline{\text{RESET/OE}}$ to nCASC Delay	Commercial	–	35	ns
		Industrial	–	35	ns

- Notes:
1. AC test lead = 50 pF.
  2. Float delays are measured with 5 pF AC loads. Transition is measured  $\pm 200$  mV from steady-state active levels.

## Thermal Resistance Coefficients

Package Type		AT17F16A	
8CN4	Leadless Array Package (LAP)	$\theta_{JC}$ [ $^{\circ}\text{C}/\text{W}$ ]	–
		$\theta_{JA}$ [ $^{\circ}\text{C}/\text{W}$ ]	–
20J	Plastic Leaded Chip Carrier (PLCC)	$\theta_{JC}$ [ $^{\circ}\text{C}/\text{W}$ ]	–
		$\theta_{JA}$ [ $^{\circ}\text{C}/\text{W}$ ] <sup>(1)</sup>	–

Note: 1. Airflow = 0 ft/min.



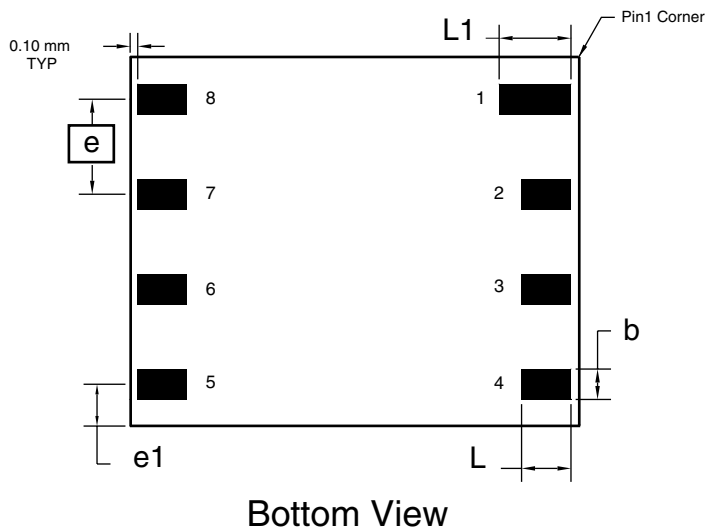
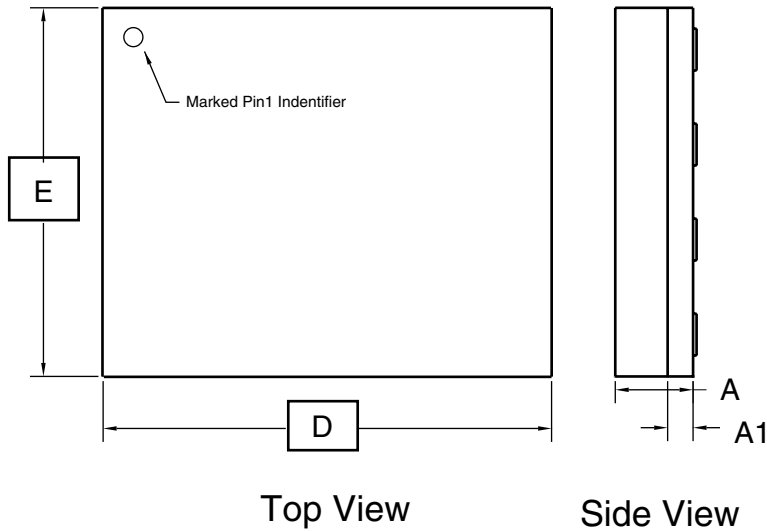
## Ordering Information

Memory Size	Ordering Code	Package	Operation Range
16-Mbit	AT17F16A-30CC	8CN4-8 LAP	Commercial
	AT17F16A-30CI	8CN4-8 LAP	Industrial
	AT17F16A-30CU	8CN4-8 LAP	LHF Industrial
	AT17F16A-30JC	20J-20 PLCC	Commercial
	AT17F16A-30JI	20J-20 PLCC	Industrial
	AT17F16A-30JU	20J-20 PLCC	LHF Industrial

Package Type	
<b>8CN4</b>	8-lead 6mm x 6 mm x 1 mm. Leadless Array Package (LAP)
<b>20J</b>	20-lead, Plastic J-leaded Chip Carrier (PLCC)

Packaging Information

8CN4- LAP



COMMON DIMENSIONS  
(Unit of Measure = mm)

SYMBOL	MIN	NOM	MAX	NOTE
A	0.94	1.04	1.14	
A1	0.30	0.34	0.38	
b	0.45	0.50	0.55	1
D	5.89	5.99	6.09	
E	4.89	5.99	6.09	
e	1.27 BSC			
e1	1.10 REF			
L	0.95	1.00	1.05	1
L1	1.25	1.30	1.35	1

Note: 1. Metal Pad Dimensions.

11/14/01



2325 Orchard Parkway  
San Jose, CA 95131

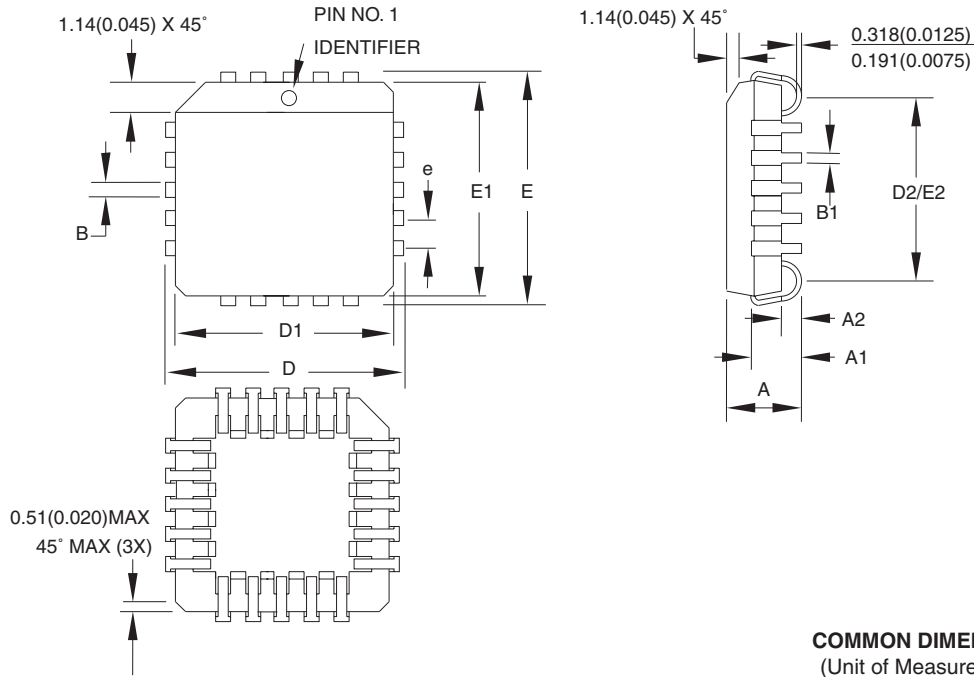
**TITLE**  
8CN4, 8-lead (6 x 6 x 1.04 mm Body), Lead Pitch 1.27 mm,  
Leadless Array Package (LAP)

**DRAWING NO.**  
8CN4

**REV.**  
A



# 20J – PLCC



**COMMON DIMENSIONS**  
(Unit of Measure = mm)

SYMBOL	MIN	NOM	MAX	NOTE
A	4.191	–	4.572	
A1	2.286	–	3.048	
A2	0.508	–	–	
D	9.779	–	10.033	
D1	8.890	–	9.042	Note 2
E	9.779	–	10.033	
E1	8.890	–	9.042	Note 2
D2/E2	7.366	–	8.382	
B	0.660	–	0.813	
B1	0.330	–	0.533	
e	1.270 TYP			

- Notes:
1. This package conforms to JEDEC reference MS-018, Variation AA.
  2. Dimensions D1 and E1 do not include mold protrusion. Allowable protrusion is .010"(0.254 mm) per side. Dimension D1 and E1 include mold mismatch and are measured at the extreme material condition at the upper or lower parting line.
  3. Lead coplanarity is 0.004" (0.102 mm) maximum.

10/04/01



2325 Orchard Parkway  
San Jose, CA 95131

**TITLE**

**20J, 20-lead, Plastic J-leaded Chip Carrier (PLCC)**

**DRAWING NO.**

20J

**REV.**

B



## Atmel Corporation

2325 Orchard Parkway  
San Jose, CA 95131, USA  
Tel: 1(408) 441-0311  
Fax: 1(408) 487-2600

## Regional Headquarters

### Europe

Atmel Sarl  
Route des Arsenalux 41  
Case Postale 80  
CH-1705 Fribourg  
Switzerland  
Tel: (41) 26-426-5555  
Fax: (41) 26-426-5500

### Asia

Room 1219  
Chinachem Golden Plaza  
77 Mody Road Tsimshatsui  
East Kowloon  
Hong Kong  
Tel: (852) 2721-9778  
Fax: (852) 2722-1369

### Japan

9F, Tonetsu Shinkawa Bldg.  
1-24-8 Shinkawa  
Chuo-ku, Tokyo 104-0033  
Japan  
Tel: (81) 3-3523-3551  
Fax: (81) 3-3523-7581

## Atmel Operations

### Memory

2325 Orchard Parkway  
San Jose, CA 95131, USA  
Tel: 1(408) 441-0311  
Fax: 1(408) 436-4314

### Microcontrollers

2325 Orchard Parkway  
San Jose, CA 95131, USA  
Tel: 1(408) 441-0311  
Fax: 1(408) 436-4314

La Chantrerie  
BP 70602  
44306 Nantes Cedex 3, France  
Tel: (33) 2-40-18-18-18  
Fax: (33) 2-40-18-19-60

### ASIC/ASSP/Smart Cards

Zone Industrielle  
13106 Rousset Cedex, France  
Tel: (33) 4-42-53-60-00  
Fax: (33) 4-42-53-60-01

1150 East Cheyenne Mtn. Blvd.  
Colorado Springs, CO 80906, USA  
Tel: 1(719) 576-3300  
Fax: 1(719) 540-1759

Scottish Enterprise Technology Park  
Maxwell Building  
East Kilbride G75 0QR, Scotland  
Tel: (44) 1355-803-000  
Fax: (44) 1355-242-743

### RF/Automotive

Theresienstrasse 2  
Postfach 3535  
74025 Heilbronn, Germany  
Tel: (49) 71-31-67-0  
Fax: (49) 71-31-67-2340

1150 East Cheyenne Mtn. Blvd.  
Colorado Springs, CO 80906, USA  
Tel: 1(719) 576-3300  
Fax: 1(719) 540-1759

### Biometrics/Imaging/Hi-Rel MPU/ High Speed Converters/RF Datacom

Avenue de Rochepleine  
BP 123  
38521 Saint-Egreve Cedex, France  
Tel: (33) 4-76-58-30-00  
Fax: (33) 4-76-58-34-80

---

## Literature Requests

[www.atmel.com/literature](http://www.atmel.com/literature)

**Disclaimer:** Atmel Corporation makes no warranty for the use of its products, other than those expressly contained in the Company's standard warranty which is detailed in Atmel's Terms and Conditions located on the Company's web site. The Company assumes no responsibility for any errors which may appear in this document, reserves the right to change devices or specifications detailed herein at any time without notice, and does not make any commitment to update the information contained herein. No licenses to patents or other intellectual property of Atmel are granted by the Company in connection with the sale of Atmel products, expressly or by implication. Atmel's products are not authorized for use as critical components in life support devices or systems.

© Atmel Corporation 2004. All rights reserved. Atmel® and combinations thereof, are the registered trademarks of Atmel Corporation or its subsidiaries. FLEX® is the registered trademark, and Excalibur™, Stratix™, Cyclone™ and APEX™ are the trademarks of Altera Corporation. Other terms and product names may be the trademarks of others.



Printed on recycled paper.