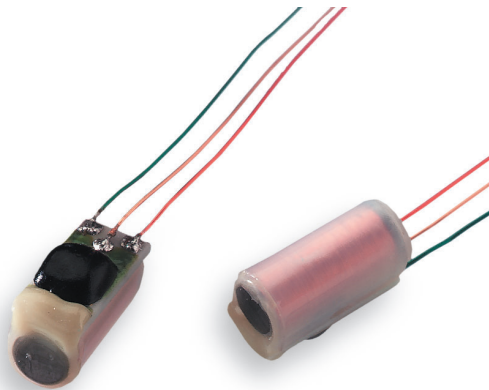


model **5300**

ACTIVE TELECOIL

technical datasheet



> features <

- RFI Suppression (Radio Frequency Interference)
- Integrated preamplifier
- ESD protection
- Plastic sleeve to protect coil
- Optional sleeveless version
- Insulated leads

> specifications <

Mechanical Data

| | |
|--------------|----------------|
| Length | 5.33 mm (max.) |
| Width | 2.54 mm (max.) |
| Height | 3.32 mm (max.) |

Electrical Data

| Parameter | Min. | Typ. | Max. | Units |
|------------------------|-------|-------|-------|----------|
| Current | | 70 | 100 | μA |
| Output Voltage | 350 | 580 | 800 | mVDC |
| Output Impedance@1 kHz | | 4000 | | Ω |
| Magnetic Sensitivity | | | | |
| 200 Hz | -68.0 | -65.0 | -62.0 | dB re 1V |
| 1000 Hz | -54.5 | -52.5 | -50.5 | dB re 1V |
| 5000 Hz | -49.0 | -47.0 | -45.0 | dB re 1V |
| Peak Output Swing | ±38 | | | mV |

Test Conditions for electrical data:

| | |
|----------------------|----------------------------|
| Supply Voltage | 1.30 VDC |
| Temperature | 25°C |
| Magnetic Field | 1 A/m |
| Major Axis | Parallel to magnetic field |

Environmental Data

| | |
|-----------------------------|---------------|
| Operating Temperature | -10°C to 40°C |
| Storage Temperature | -20°C to 70°C |

Maximum Ratings

| | |
|-------------------------|----------------------|
| Supply Voltage | 5 VDC (min. 1.1 VDC) |
| Power Dissipation | 25 mW |

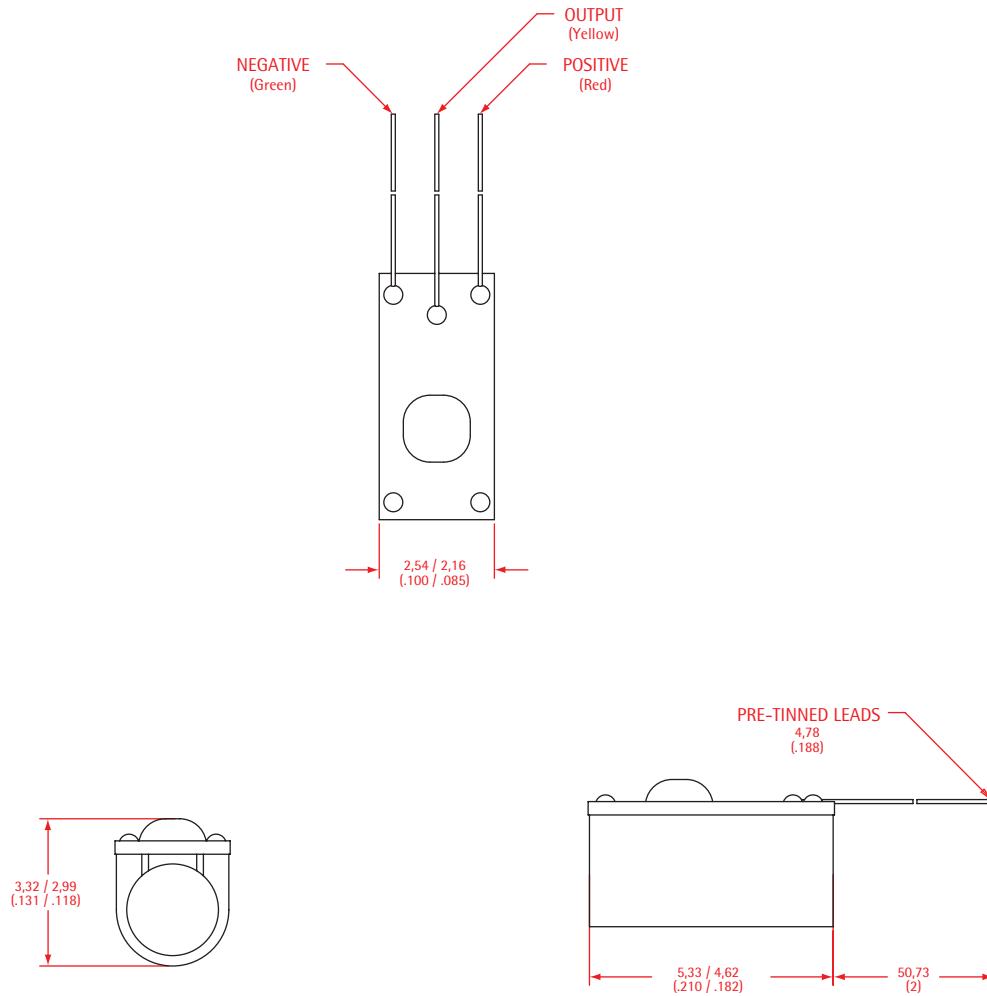
Construction

| | |
|-------------------|------------------------|
| Leads | 36 AWG solid insulated |
| Coil Sheath | Plastic |

Specifications subject to change.

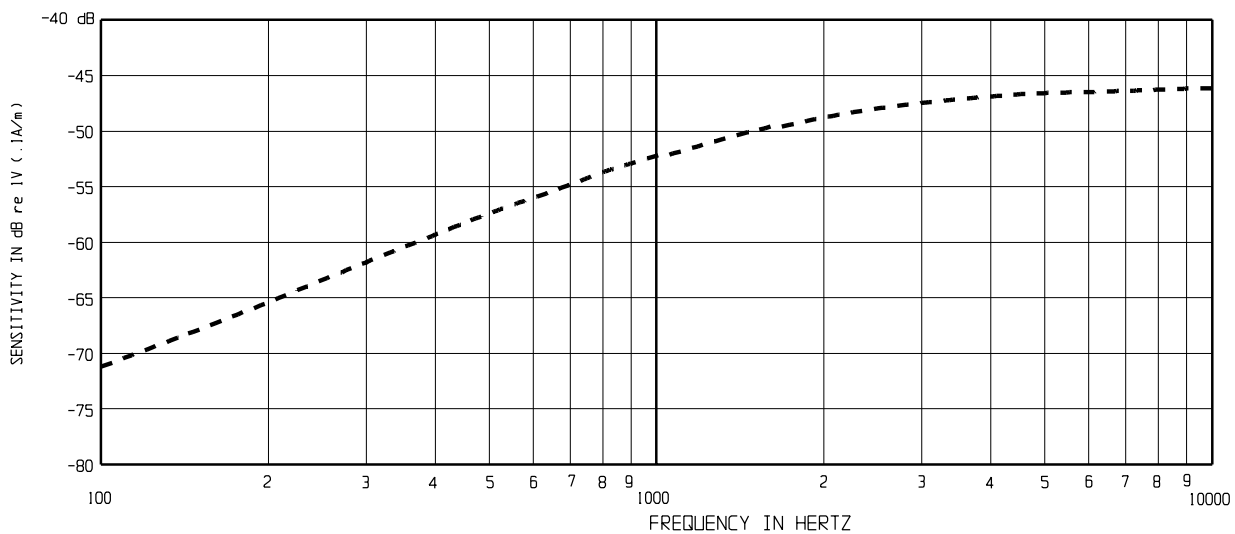
dimensions (sleeved version)

Dimensions shown
in millimeters (inches
in parentheses).





normal responsive curve



> ordering <

How to order— Specify part number 5300-153069 for sleeved and 5300-153081 for sleeveless. Customized Model 5300 active telecoil products are available, subject to minimum order requirements, contact your Knowles sales representative for a quote.