

1000 Series Digital Panel Meters MODUTEC

**BEST OF
CLASS**



Backlighting Options

- Positive Green Black on Green Background
- Negative Green Green on Black Background
- Positive Red Black on Red Background
- Negative Red Red on Black Background
- Non-Backlit LCD Black on Grey Background

The MODUTEC 1000 takes the guesswork out of reading a small, low cost, digital panel meter.

Always have an exact reading with features that eliminate reader guesswork.

- Over range indication of rated value and auto zero when there is no input signal
- Auto polarity visually clues user to a negative reading

The MODUTEC 1000 is an easy to read small unit that fits into almost any application.

- 0.3 inch digit display in red or green for hard to read applications
- Small panel space requirements of 1.34" x 0.75" and panel depth less than 0.8"
- Bezel or window mount snap-on bezel needing no extra hardware or panel holes.

Flexible features designed to meet your application needs.

- DC power options¹
- Process and DC inputs with offset and span adjustments²
- Low power usage allowing battery operation even with backlighting
- Wide operating temperature range -30° to 80°C (optional)

¹ Case and set points specs are available on our web site.

² Consult factory

Specifications

Display

Digits: 3 ½ digits (1999)
Digit Height: 0.3" (7.6 mm)
Decimal Point: 3 positions, external selection

Type: 7 Segment Backlit LCD
Polarity: Automatic (-) displayed
Overload: Three lower digits blank for readings greater than 1999

Weight:

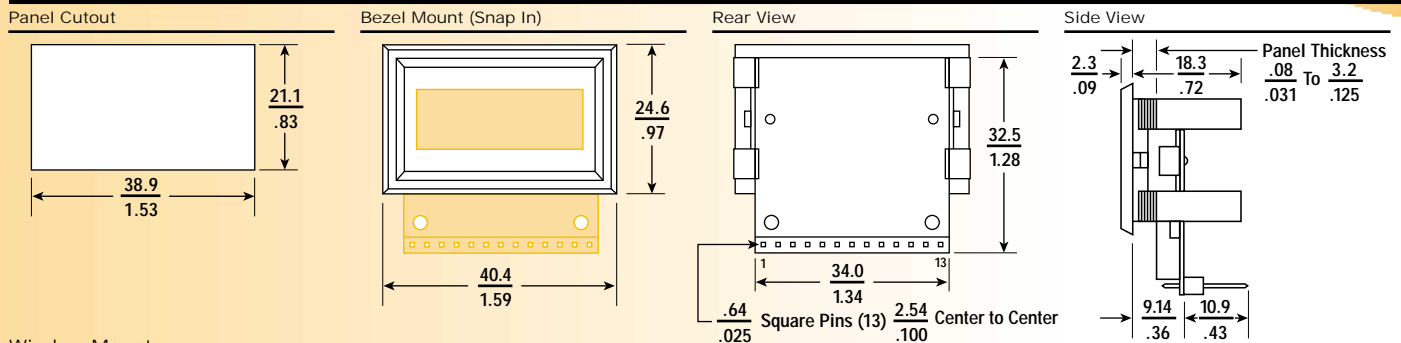
< 1 oz.

Applications

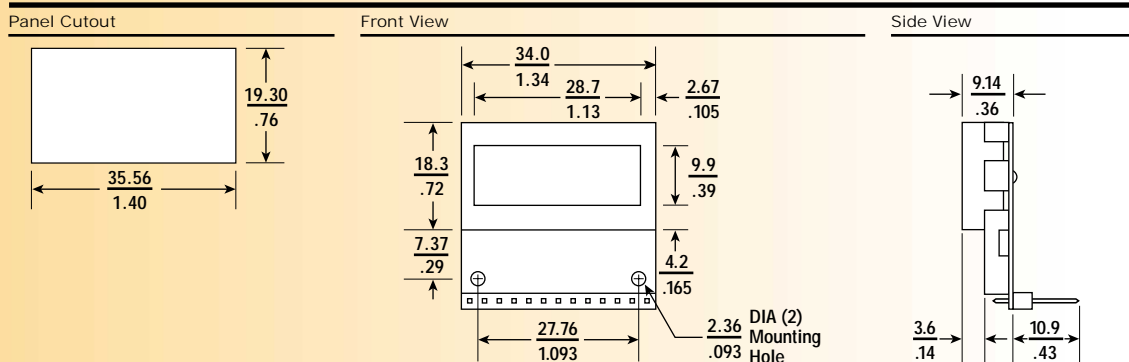
- ▶ DC Amps
- ▶ DC Volts
- ▶ Telecommunications
- ▶ Water Purification
- ▶ Sewage Treatment
- ▶ Flow
- ▶ Process
- ▶ Desalinization

1000 Series Dimensional Drawings (mm/in)

Bezel Mount



Window Mount



How to Order

1 0

a	b	c	d	e
3	0	0	2	02

Display
 1 = Non Backlit
 3 = Positive Green Backlit
 4 = Negative Green Backlit
 5 = Negative Red Backlit
 6 = Positive Red Backlit

Mounting
 0 = Window Mount
 (for Bezel option See Note-1)

Terminals
 0 = Uncased for Window Mount or Bezel Mount with 13 Pins
 2 = solder pads*
 4 = Dual Banana plug for direct transmitter mounting*
 5 = Screw terminal block & brackets for mounting in explosion proof housings*
 * Refer to the datasheets on our website for additional drawings and dimensions

DPM Power
 0 = Loop powered from signal (two wire) including backlighting
 1 = 9VDC 3 = 5V
 2 = ±5VDC 6 = 10/15VDC

Input
 01 = 200mVDC 03 = 20VDC
 02 = 2VDC 19 = 4 to 20mADC

Note-1: For Snap-on Bezel mounting kit, order part number 00-922233-001.
 Example: 1030-0202 is a ±5VDC powered Window Mount unit with positive green backlighting, a 0-2VDC input scale, with a 13 pin connector.

1000 Series Specifications

Input

Full Scale Range: ± 2V or ± 200m VDC or ± 20VDC or ± 4-20ma

Overvoltage Protection: 100V DC or peak AC continuous

Input Resistance: ≥ 100 Meg Ohms

Loop Powered:

Full Scale Range: 4 to 20 mADC (two wire self powered)

2.75V (including green backlighting)

3.3V (including red backlighting)

Overload: 60 mADC forward, 75mADC reverse

Performance

Accuracy: ± (0.25% +1 count) Max

4-20 ma ± 0.1% of F.S. +1 count

Common Mode Rejection:

≥ 86db 50 Hz-60 Hz

Loop Powered Adjustment:

Span: Coarse by jumper plug, fine by 12-turn potentiometer

Zero: Approximately 20% of selected span by 12-turn potentiometer.

Conversion Rate: 2.5 per second
Zero Adjust: Automatic
Tempco: 100 PPM/°C
 4-20 ma ± 200 PPM/°C

Environment:

Operating Range: -0°C to +60°C

Storage Range: -20°C to +70°C

Extended Temperature (option):

Operating Range: -30°C to +80°C

Storage Range: -40°C to +85°C

Power Options:

+5 VDC and -5VDC ± 10% @ 150uaDC or 9VDC (7.2 to 12 VDC isolated @ 150uaDC)¹

For other power options consult factory.

¹ For the 9 Volt DPM the input must either be fully isolated from the power source, or, if referenced to the source, the IN LO terminal must be no closer than 2.3V for the 200mV range (3.5V for the 2V range) to either battery terminal.

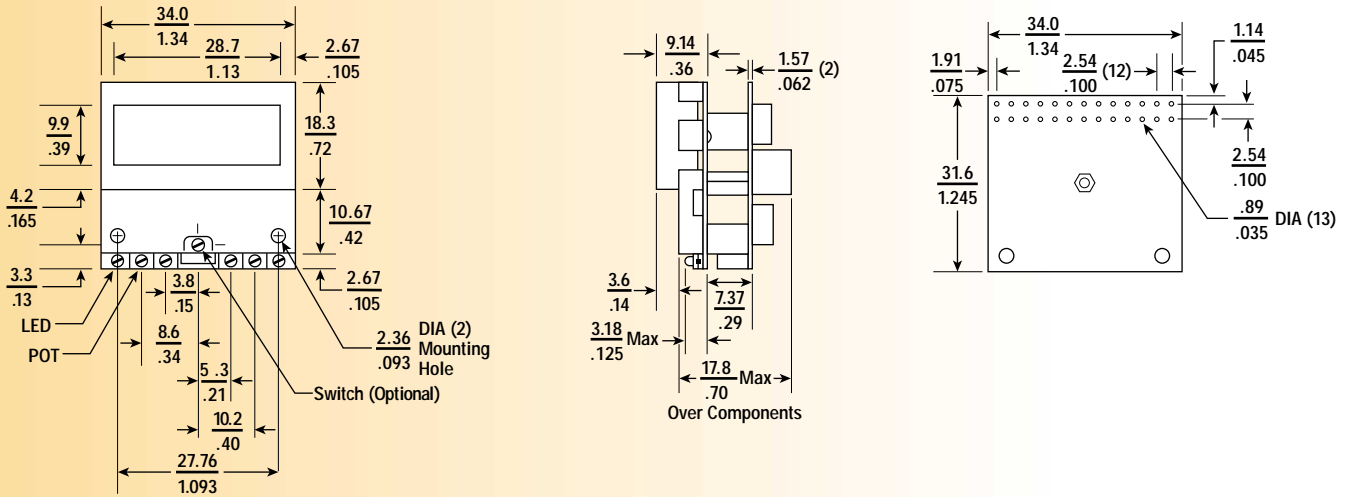
1000 Series Set Point Drawing (mm/in)

Set Point Drawing

Front View

Side View

Rear View



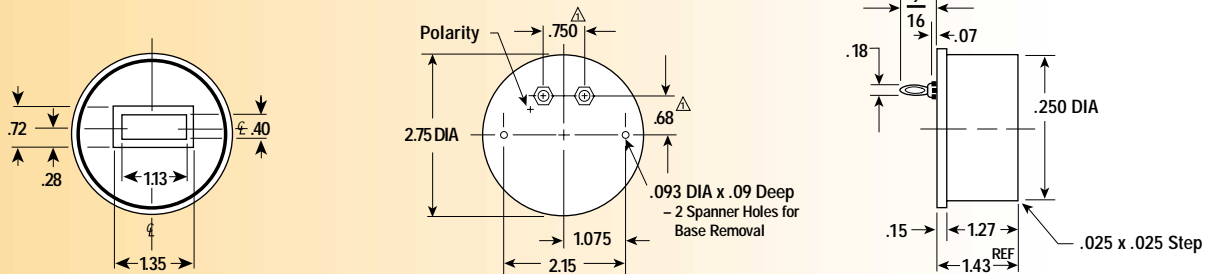
1000 Series Dimensional Drawings (mm/in)

Clear Case with Banana Plug Mounting

Front View

Rear View

Side View



Clear Case with brackets for explosion-proof enclosure

Front View

Rear View

Side View

Bracket for Mounting in Adalet Instrument Housing XIHFC Series or Equivalent

