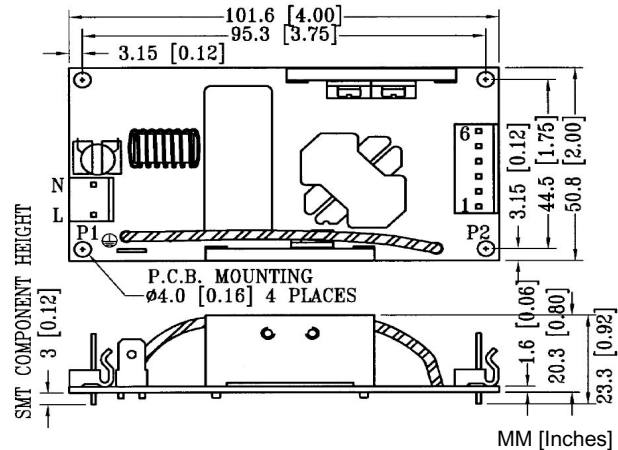
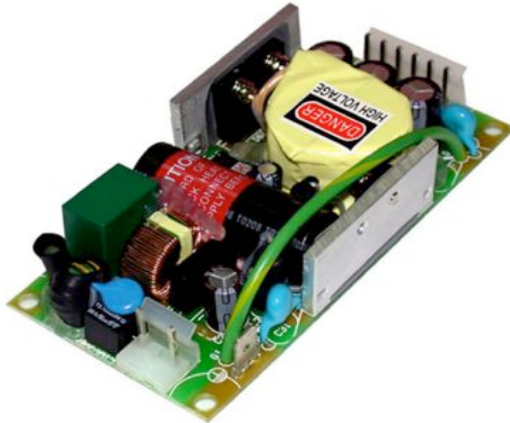


# MSM63 series

## 60 Watt Medical Grade Power Supply



### Features

- Compact 2 x 4 x 1 inch form factor
- Wide range AC input, fully regulated output
- High efficiency
- Medical grade approvals
- 5 year warranty

### Environmental

- Operating temperature..... 0° C to 50° C (forced air for full load)
- Storage temperature..... -20° C to 85° C
- Weight = 0.27 lbs
- At least 5 cfm direct forward air flow required to achieve full rating

### EMI/EMC

- Meets FCC class B, EN 55011
- EMC per EN60601-1-2

### Safety

- UR/cUR UL2601-1
- CE Marked EN60601-1 Class I

Polarity	1	2	3	4	5	6
Input P1	Ntl	-	Line	-	-	-
Output P2	+V1	+V1	Com	Com	-	-

### Input and Output Connections

- Input connector (P1) = V-M Connector
- Input mating connector = Molex 5195 or 5239 series
- Output connector (P2) = V-M Connector
- Output mating connector = Molex 5195 or 5239 series

### Electrical Specifications

#### Input

- Voltage..... 100 - 240 VAC
- Current..... Max. 1.2 Amp
- Frequency..... 47 - 63 Hz
- Max. Earth leakage current:

Test Voltage	Normal	Single-fault
132 VAC 60 Hz	60 uA	100 uA
264 VAC 50 Hz	100 uA	150 uA

#### Output

- Line regulation..... TYP +/- 0.5%
- Load regulation..... TYP +/- 2%
- Hold up time..... 11 ms min at full load, 115 VAC
- Transient response..... 0.5 ms for a 50% load change
- Over voltage protection..... Built-in
- Over current protection..... Built-in
- Short circuit protection..... Built-in
- Efficiency..... 80% min at full load and 115 VAC
- Ripple/noise (V<sub>p-p</sub>)..... +/-1% (20 MHz bandwidth)

Model No.	Voltage	Power	Current
MSM6312	12V	60W	5.0A
MSM6315	15V	60W	4.0A
MSM6324	24V	60W	2.5A

- Max output power..... 50W with convection cooling;  
60W with at least 0.5 CFM forced air cooling