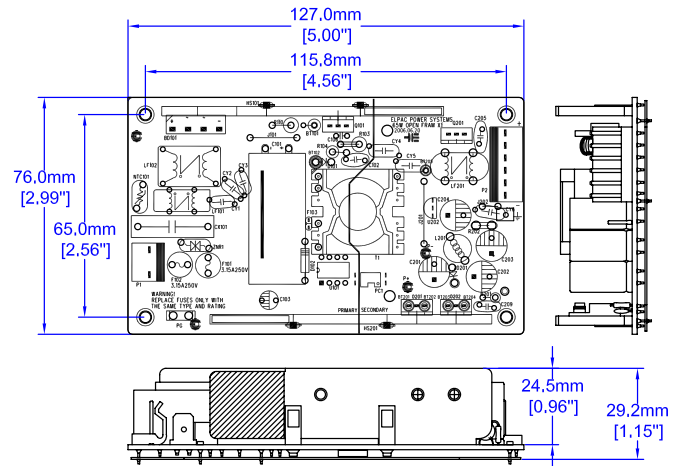


MS65F series

65 Watt Medical Grade AC Adapter



Features

- Wide range AC input
- Fully regulated output
- High efficiency
- Medical grade approval
- LED Indicator
- 5 year warranty
- RoHS Compliant

Environmental

- Operating temperature..... 0° C to 50° C
- Storage temperature..... -40° C to 85° C
- Weight = 0.45 lbs

EMI/EMC

- Meets FCC class B, CISPR 11 class B
- EMC per EN60601-1-2

Safety

- cTUVus
- CSA C22.2 No. 60601.1-M90
- UL 60601-1 CB per IEC 60601-1
- CE Marked To LVD

Polarity	1	2	3	4	5	6
P1	Line	-	Neut	-	-	-
P2	+V	+V	+V	Com	Com	Com

Input and Output Connections

- Input connector (P1) = AMP p/n 640445-3 or equivalent
- Input mating connector = AMP p/n 640250-3 or equivalent
- Output connector (P2) = AMP p/n 640445-6 or equivalent
- Output mating connector = AMP p/n 640250-6 or equivalent
- Mating connector contacts = AMP p/n 770476-* or equivalent

Electrical Specifications

Input

- Voltage..... 85 - 264 VAC
- Current..... 2.0 Amp @ 100 VAC
- Frequency..... 50 - 60 Hz
- Max. Earth leakage current:

Test Voltage	Normal	Single-fault
132 VAC 60 Hz	55 uA	90 uA
264 VAC 60 Hz	80 uA	155 uA

Output

- Total regulation..... <+/- 5%
- Set point accuracy..... <+/- 3% at 60% load
- Hold up time..... >12 ms min at full load, 115 VAC
- Over voltage protection..... Built-in
- Over current protection..... Built-in
- Short circuit protection..... Pulsing mode, auto recovery
- Ripple/noise (V_{p-p})..... <1% (20MHz Bandwidth)

Model No.	Voltage	Power	Current	Eff @ 115VAC (Typ)
MS6509F	9V	65W	6.3A	83%
MS6512F	12V	65W	5.4A	85%
MS6515F	15V	65W	4.3A	86%
MS6524F	24V	65W	2.7A	87%