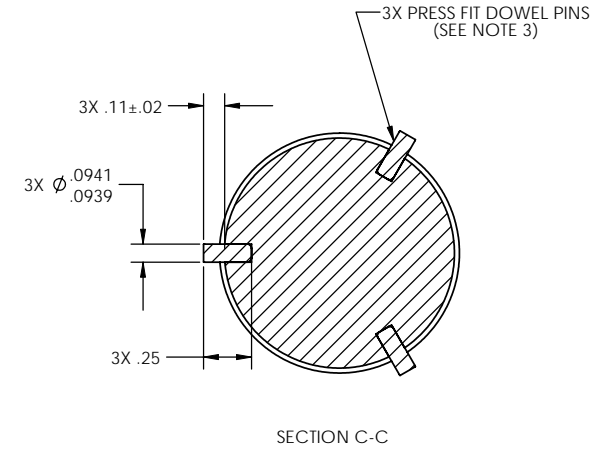
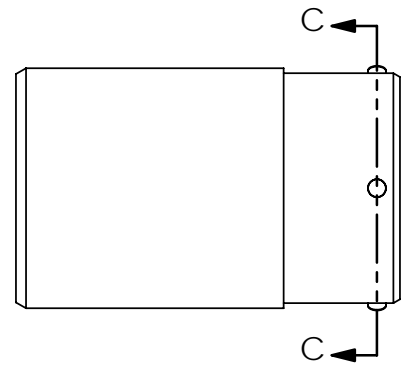
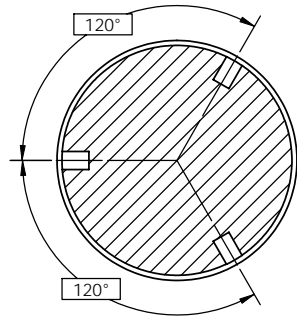
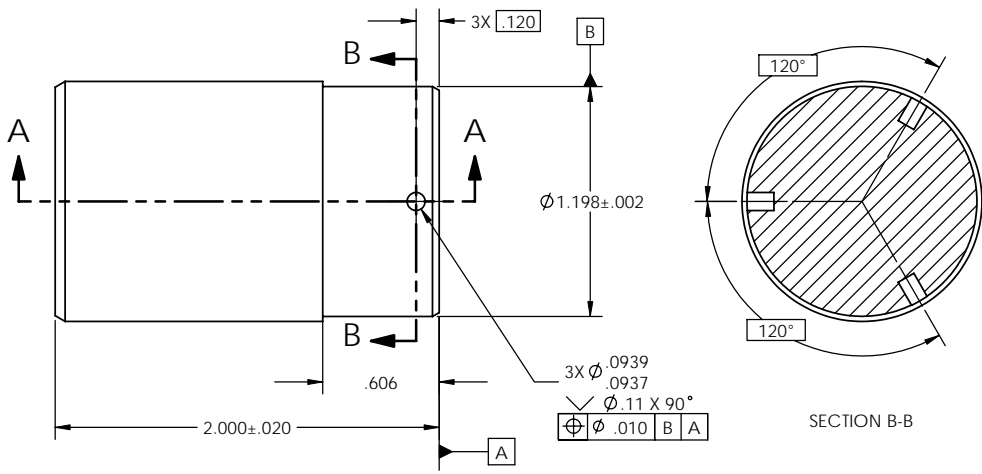
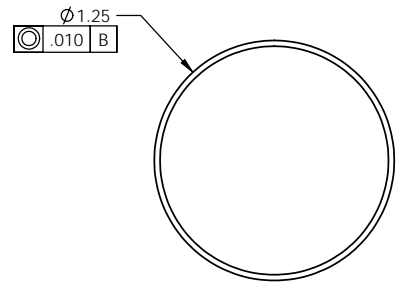
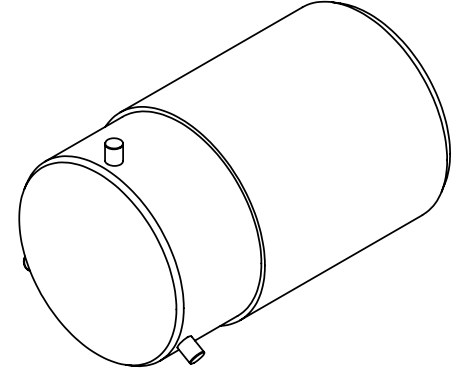
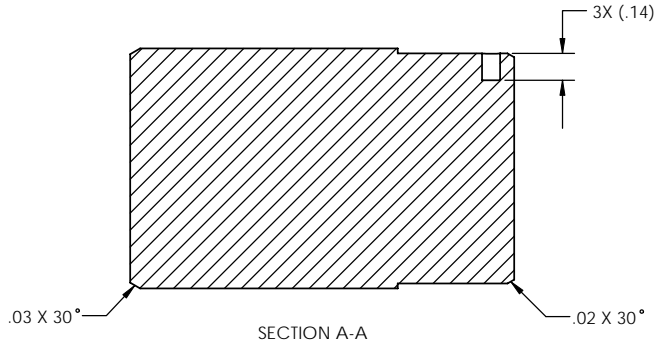


| REVISIONS | | | | | |
|-----------|------------------------|------|----------|------|------|
| REV. | DESCRIPTION | ECO | DATE | DRWN | APPD |
| A | RELEASE TO PRODUCTION. | 1418 | 11/30/09 | SC | JAS |



NOTES:

1. MATERIAL: 6061 ALUMINUM.
2. FINISH: CLEAR ANODIZED.
3. AMERICAN NATIONAL STANDARD HARDENED GROUND MACHINE DOWEL PINS OR APPROVED EQUIVALENT. DOWEL PINS TO BE ZINC PLATED.
4. PART TO BE FREE OF BURRS, SHARP EDGES, AND FOREIGN MATERIAL.
5. UNLESS OTHERWISE SPECIFIED ALL FEATURES SHALL HAVE A PROFILE TOLERANCE OF .010 ALL OVER WITH RESPECT TO DATUMS A & B.
6. PART MUST BE ROHS COMPLIANT PER EUROPEAN UNION 2002/95/EC.
7. SEE CAD MODEL FOR ADDITIONAL DIMENSIONS.
8. FOR MACHINING INSTRUCTIONS ON CONVERTING BLANK TO FUNCTIONAL ADAPTER, REFERENCE DOCUMENT NUMBER 64MT-0535-13.

PROPRIETARY AND CONFIDENTIAL
 THE INFORMATION CONTAINED IN THIS DRAWING IS THE SOLE PROPERTY OF OPTO TECHNOLOGY INC. ANY REPRODUCTION IN PART OR AS A WHOLE WITHOUT THE WRITTEN PERMISSION OF OPTO TECHNOLOGY INC. IS PROHIBITED.

| | | | | | |
|-----------------------------|-----------------------------------|----------------------|---------|---|---------------------------------|
| UNLESS OTHERWISE SPECIFIED: | | NAME | DATE | OPTO TECHNOLOGY INC. 160 E. Marquardt Drive, Wheeling IL 60090 | |
| DIMENSIONS ARE IN INCHES | TOLERANCES: | DRAWN | SC | 04/06/09 | TITLE: ADAPTOR, BLANK |
| ANGULAR: ± 1 DEG | TWO PLACE DECIMAL ± .010 | CHECKED | JAS | 11/30/09 | |
| THREE PLACE DECIMAL ± .005 | | ENG APPR | JAS | 11/30/09 | |
| FINISH: CLEAR ANODIZED | TOLERANCING PER: ASME Y14.5M 1994 | COMMENTS: | | | |
| MATERIAL: | | APPLICATION | USED ON | FINISH | |
| | | DO NOT SCALE DRAWING | | | |
| SIZE | DWG. NO. | REV | | | |
| C | 64MT-0535 | A | | | |
| SCALE: 2:1 | WEIGHT: | SHEET 1 OF 1 | | | |