



## Technical Data Sheet

### Top View LEDs

---

#### 67-21/T2C-YV2W2B22/2T

#### Features

- Fluorescence Type
- High Luminous Intensity
- High Efficiency
- Pb-free
- The product itself will remain within RoHS compliant version.



#### Descriptions

- The white LED which was fabricated using a blue LED and a phosphor, and the phosphor is excited by blue light and emits yellow fluorescence. The mixture of blue light and yellow light results in a white emission.

#### Applications

- OA Equipment
- Backlighting of full color LCD
- Replacement of conventional light
- Bulbs and fluorescent lamps

#### Device Selection Guide

Chip	Emitted Color	Resin Color
Material		
InGaN	Pure White	Water Clear

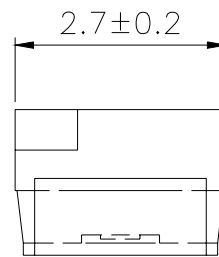
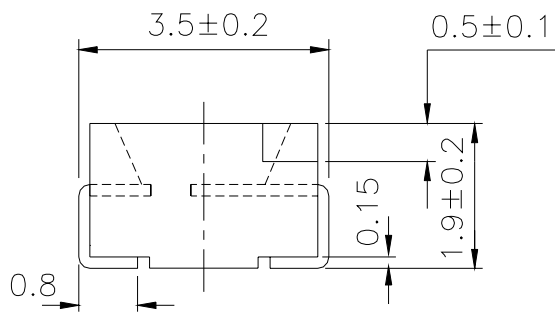
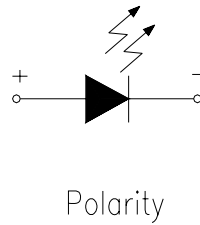
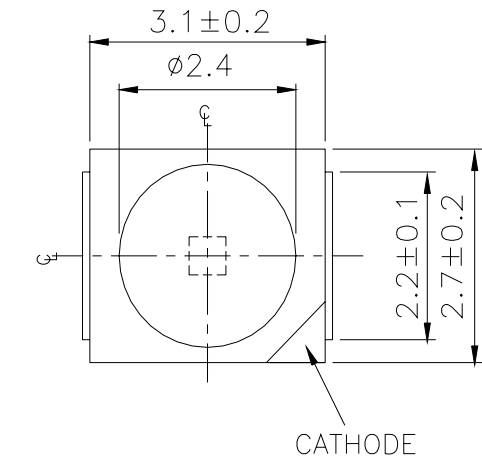


Technical Data Sheet

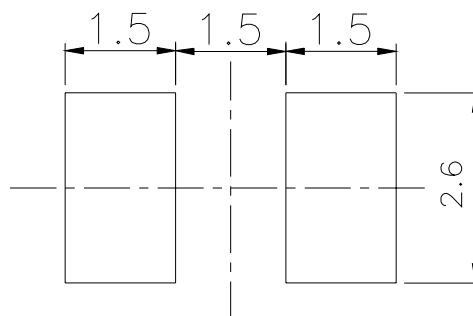
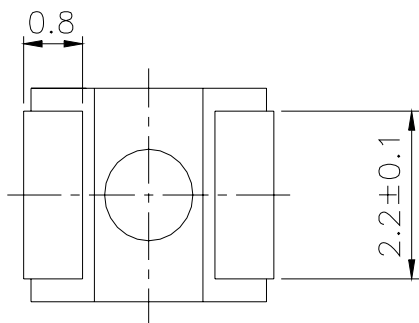
Top View LEDs

**67-21/T2C-YV2W2B22/2T**

Package Dimensions



For reflow soldering (Proposal)



**Note:** The tolerances unless mentioned is ±0.1mm, Unit = mm

**Technical Data Sheet****Top View LEDs****67-21/T2C-YV2W2B22/2T****Absolute Maximum Ratings (Ta=25°C)**

Parameter	Symbol	Rating	Unit
Reverse Voltage	V <sub>R</sub>	5	V
Forward Current	I <sub>F</sub>	30	mA
Peak Forward Current (Duty 1/10 @1KHz)	I <sub>FP</sub>	100	mA
Power Dissipation	P <sub>d</sub>	110	mW
Electrostatic Discharge(HBM)	ESD	1000	V
Operating Temperature	Topr	-40 ~ +85	°C
Storage Temperature	Tstg	-40 ~ +90	°C
Soldering Temperature	Tsol	Reflow Soldering : 260 °C for 10 sec. Hand Soldering : 350 °C for 3 sec.	

**Electro-Optical Characteristics (Ta=25°C)**

Parameter	Symbol	Min.	Typ.	Max.	Units	Condition
Luminous Intensity	I <sub>v</sub>	900	-----	1800	mcd	I <sub>F</sub> =20mA
Viewing Angle	2θ1/2	--	120	--	deg	I <sub>F</sub> =20mA
Forward Voltage	V <sub>F</sub>	3.00	-----	3.60	V	I <sub>F</sub> =20mA

**Notes:**

1. Tolerance of Luminous Intensity: ±11%
2. Tolerance of Forward Voltage: ±0.05V

**Technical Data Sheet****Top View LEDs****67-21/T2C-YV2W2B22/2T****Bin Range of Luminous Intensity**

Bin Code	Min.	Max.	Unit	Condition
V2	900	1120	mcd	I <sub>F</sub> =20mA
W1	1120	1420		
W2	1420	1800		

**Bin Range of Forward Voltage**

Group	Bin Code	Min.	Max.	Unit	Condition
B22	37	3.00	3.10	V	I <sub>F</sub> =20mA
	38	3.10	3.20		
	39	3.20	3.30		
	40	3.30	3.40		
	41	3.40	3.50		
	42	3.50	3.60		

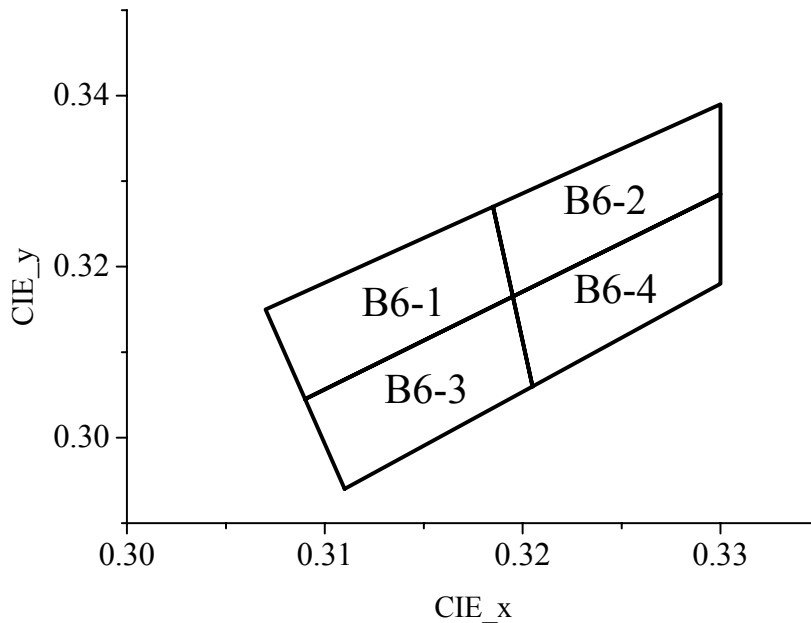
**Notes:**

1. Tolerance of Luminous Intensity:  $\pm 11\%$
2. Tolerance of Forward Voltage:  $\pm 0.05V$

**Technical Data Sheet**
**Top View LEDs**
**67-21/T2C-YV2W2B22/2T**
**Bin Range of Chromaticity Coordinates**

Group	Bin Code	CIE_x	CIE_y	Bin Code	CIE_x	CIE_y
Y	B6-1	0.3090	0.3045	B6-2	0.3195	0.3165
		0.3070	0.3150		0.3185	0.3270
		0.3185	0.3270		0.3300	0.3390
		0.3195	0.3165		0.3300	0.3285
	B6-3	0.3110	0.2940	B6-4	0.3205	0.3060
		0.3090	0.3045		0.3195	0.3165
		0.3195	0.3165		0.3300	0.3285
		0.3205	0.3060		0.3300	0.3180

**Note:** Tolerance of Chromaticity Coordinates:  $\pm 0.01$

**The C.I.E. 1931 chromaticity diagram.**


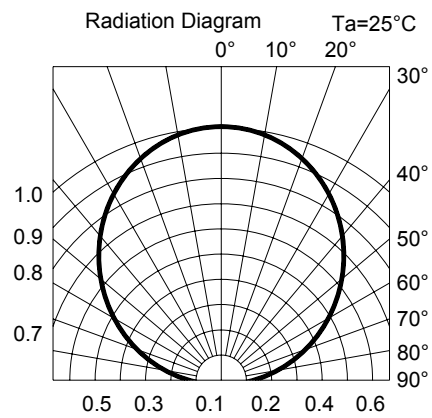
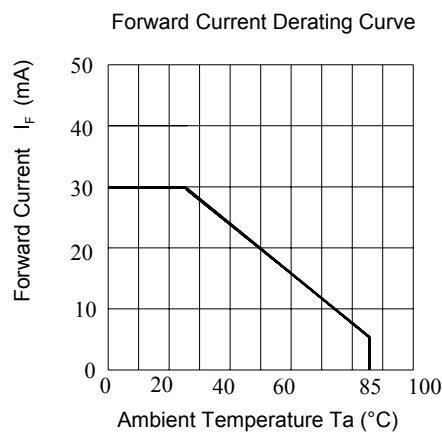
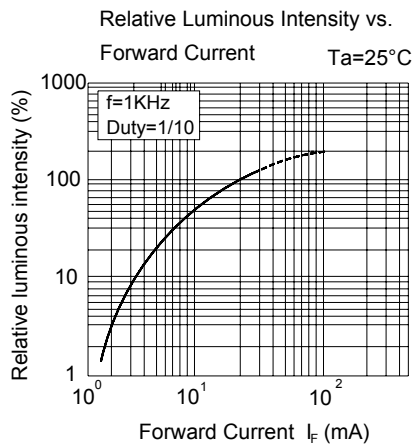
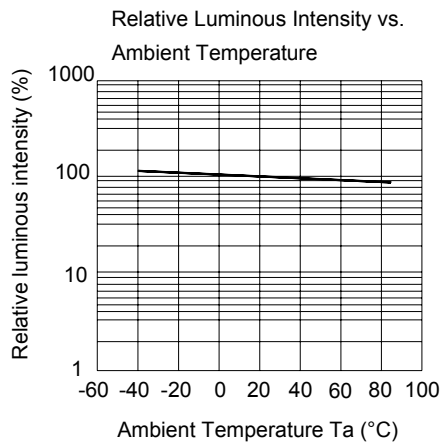
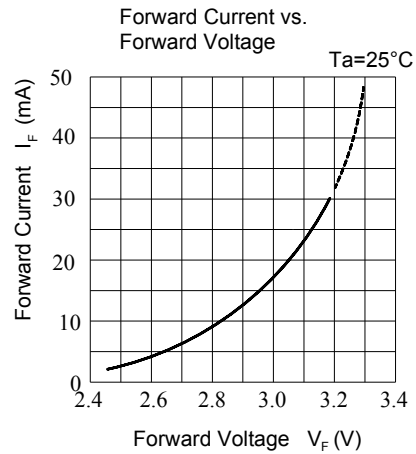
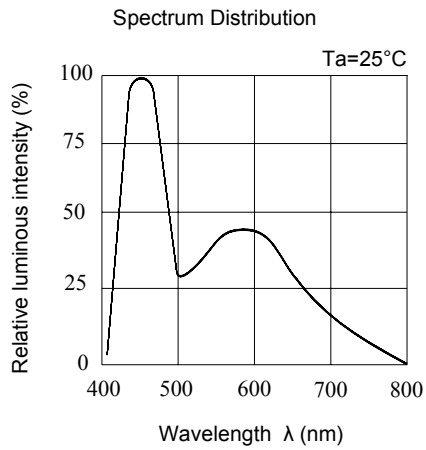


Technical Data Sheet

Top View LEDs

**67-21/T2C-YV2W2B22/2T**

Typical Electro-Optical Characteristics Curves





Technical Data Sheet

Top View LEDs

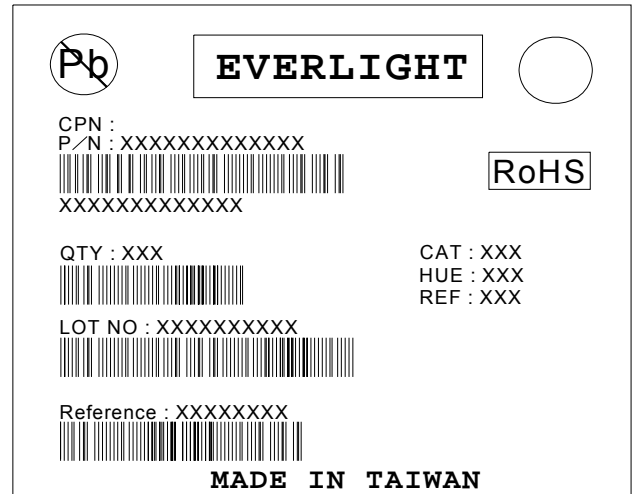
**67-21/T2C-YV2W2B22/2T**

Label Explanation

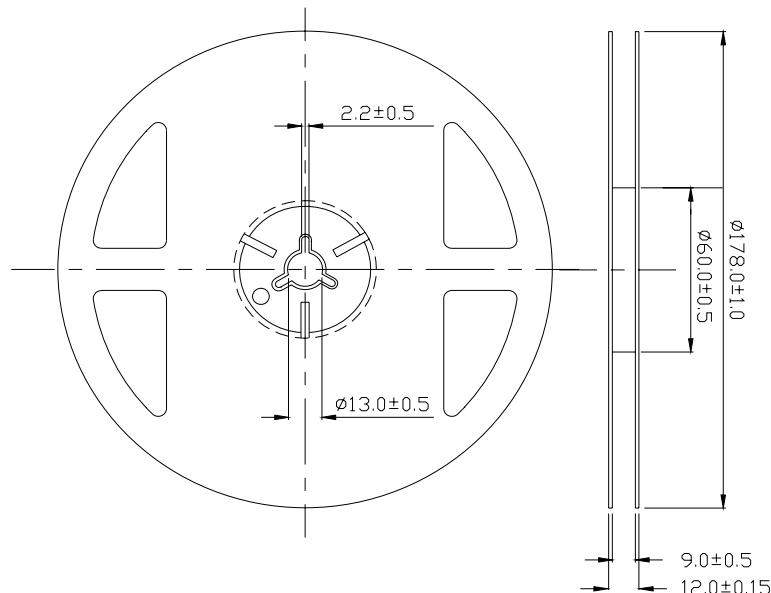
**CAT:** Luminous Intensity Rank

**HUE:** Chromaticity Coordinates

**REF:** Forward Voltage Rank



Reel Dimensions



**Note:** The tolerances unless mentioned is: ±0.1mm, Unit = mm

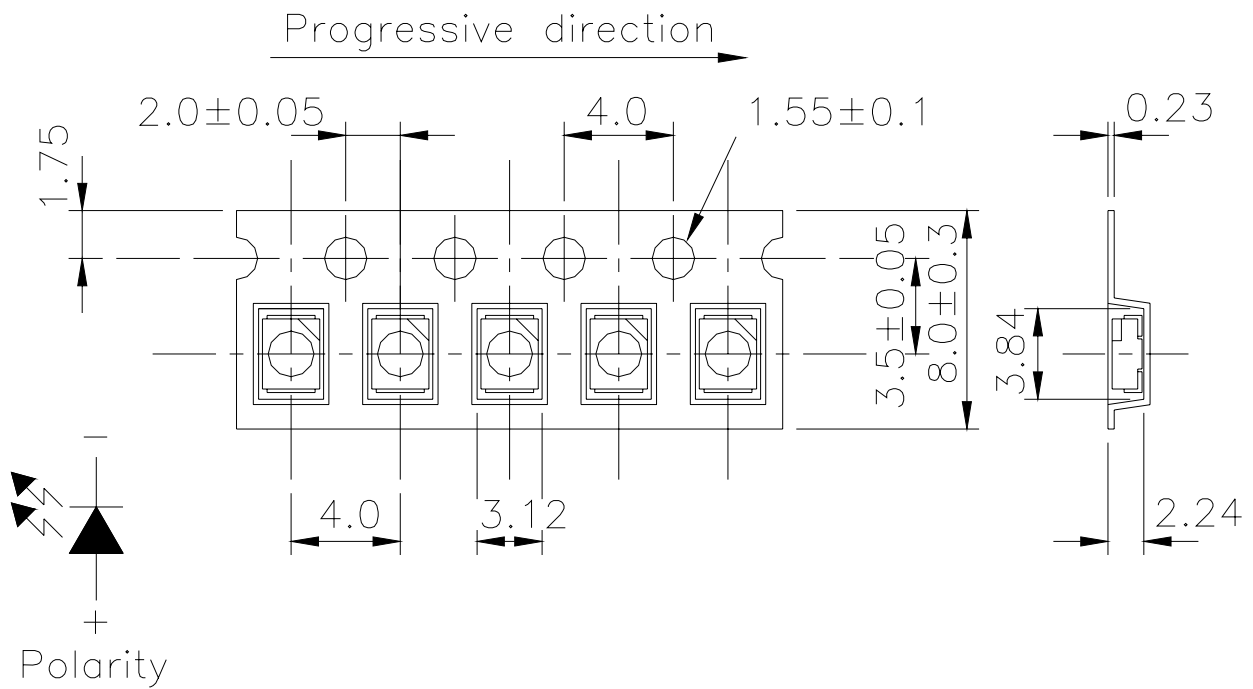


Technical Data Sheet

Top View LEDs

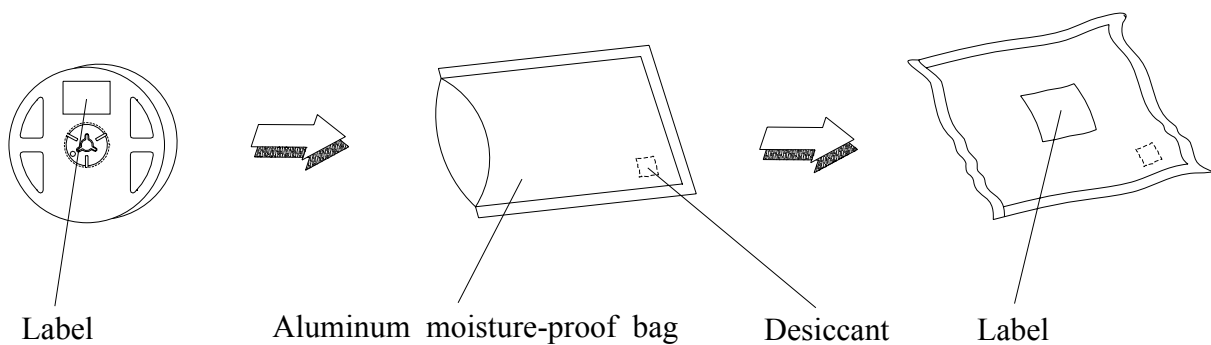
**67-21/T2C-YV2W2B22/2T**

Carrier Tape Dimensions: Loaded Quantity 2000 pcs Per Reel.



**Note:** The tolerances unless mentioned is ±0.1mm, Unit = mm

Moisture Resistant Packaging





**Technical Data Sheet****Top View LEDs****67-21/T2C-YV2W2B22/2T****Reliability Test Items and Conditions**

The reliability of products shall be satisfied with items listed below.

Confidence level : 90%

LTPD : 10%

No.	Items	Test Condition	Test Hours/Cycles	Sample Size	Ac/Re
1	Reflow Soldering	Temp. : 260°C±5°C Min. 10sec.	6 min	22 PCS.	0/1
2	Temperature Cycle	H : +100°C 15min ↓ 5 min L : -40°C 15min	300 Cycles	22 PCS.	0/1
3	Thermal Shock	H : +100°C 5min ↓ 10 sec L : -10°C 5min	300 Cycles	22 PCS.	0/1
4	High Temperature Storage	Temp. : 100°C	1000 Hrs.	22 PCS.	0/1
5	Low Temperature Storage	Temp. : -40°C	1000 Hrs.	22 PCS.	0/1
6	DC Operating Life	I <sub>F</sub> = 20 mA / 25°C	1000 Hrs.	22 PCS.	0/1
7	High Temperature / High Humidity	85°C / 85%RH	1000 Hrs.	22 PCS.	0/1

**Technical Data Sheet****Top View LEDs****67-21/T2C-YV2W2B22/2T****Precautions for Use**

## 1. Over-current-proof

Customer must apply resistors for protection, otherwise slight voltage shift will cause big current change ( Burn out will happen ).

## 2. Storage

2.1 Do not open moisture proof bag before the products are ready to use.

2.2 Before opening the package: The LEDs should be kept at 30°C or less and 90%RH or less.

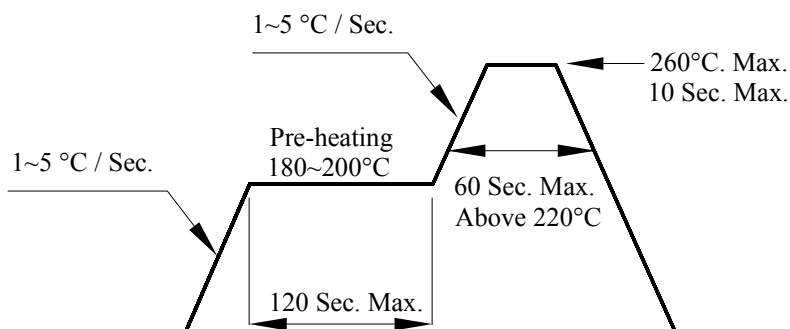
2.3 After opening the package: The LED's floor life are 168 hours under 30°C or less and 60% RH or less.If unused LEDs remain, it should be stored in moisture proof packages.

2.4 If the moisture absorbent material (silica gel) has faded away or the LEDs have exceeded the storage time, baking treatment should be performed using the following conditions.

Baking treatment : 60±5°C for 24 hours.

## 3. Soldering Condition

## 3.1 Pb-free solder temperature profile



3.2 Reflow soldering should not be done more than two times.

3.3 When soldering, do not put stress on the LEDs during heating.

3.4 After soldering, do not warp the circuit board.

## 4. Soldering Iron

Each terminal is to go to the tip of soldering iron temperature less than 350°C for 3 seconds within once in less than the soldering iron capacity 25W. Leave two seconds and more intervals, and do soldering of each terminal. Be careful because the damage of the product is often started at the time of the hand solder.



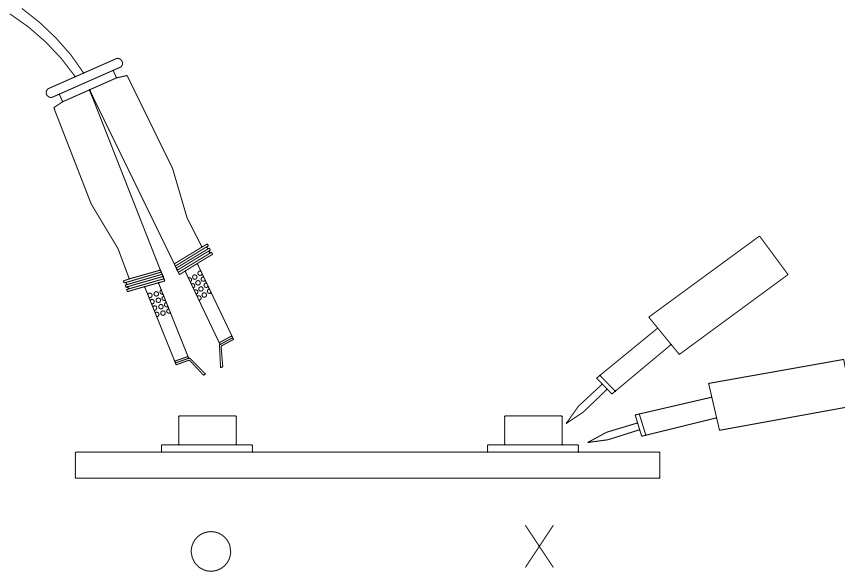
**Technical Data Sheet**

**Top View LEDs**

**67-21/T2C-YV2W2B22/2T**

5. Repairing

Repair should not be done after the LEDs have been soldered. When repairing is unavoidable, a double-head soldering iron should be used (as below figure). It should be confirmed beforehand whether the characteristics of the LEDs will or will not be damaged by repairing.



**EVERLIGHT ELECTRONICS CO., LTD.**  
Office: No 25, Lane 76, Sec 3, Chung Yang Rd,  
Tucheng, Taipei 236, Taiwan, R.O.C

Tel: 886-2-2267-2000, 2267-9936  
Fax: 886-2267-6244, 2267-6189, 2267-6306  
<http://www.everlight.com>