

External WiFi Antenna 2.4 GHz



Ethertronics' series of External Antennas deliver on the key needs of device designers for higher functionality and performance in access points.

DESIGN ADVANTAGES

Best in Class Performance

- External antennas are designed to maintain high efficiency in a variety of device configurations.

Quicker Time-to-Market

- Standard part means fewer design changes.
- Simple implementation.

Flexibility

- Ability to use external antenna on metallic box devices.



KEY BENEFITS

END USER ADVANTAGES

Superior Range

- Better antenna function means longer range and greater sensitivity to critically precise signals—delivering greater customer satisfaction while building brand loyalty.

Greater Flexibility

- Standard connector makes for easy set-up

SERVICE AND SUPPORT

Extensive RF Experience

- Our external antennas are supported by documentation, and when needed, by the expertise of RF engineers who have integrated hundreds of antenna designs into wireless devices.

Global Operations & Design Support

- Ethertronics' global operations encompass an integrated network of design centers that provide local customer support.

PRODUCT: WiFi Antenna

Ethertronics' External Antenna Specifications

Ethertronics produces a wide variety of standard and custom antennas to meet user needs.

Below are the typical specs for a WiFi application.

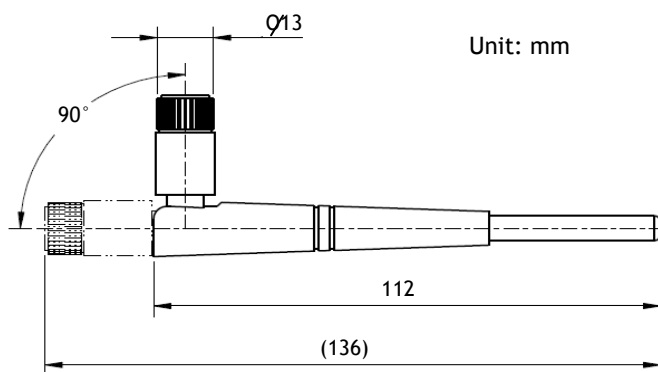
Electrical Specifications

Typical Characteristics

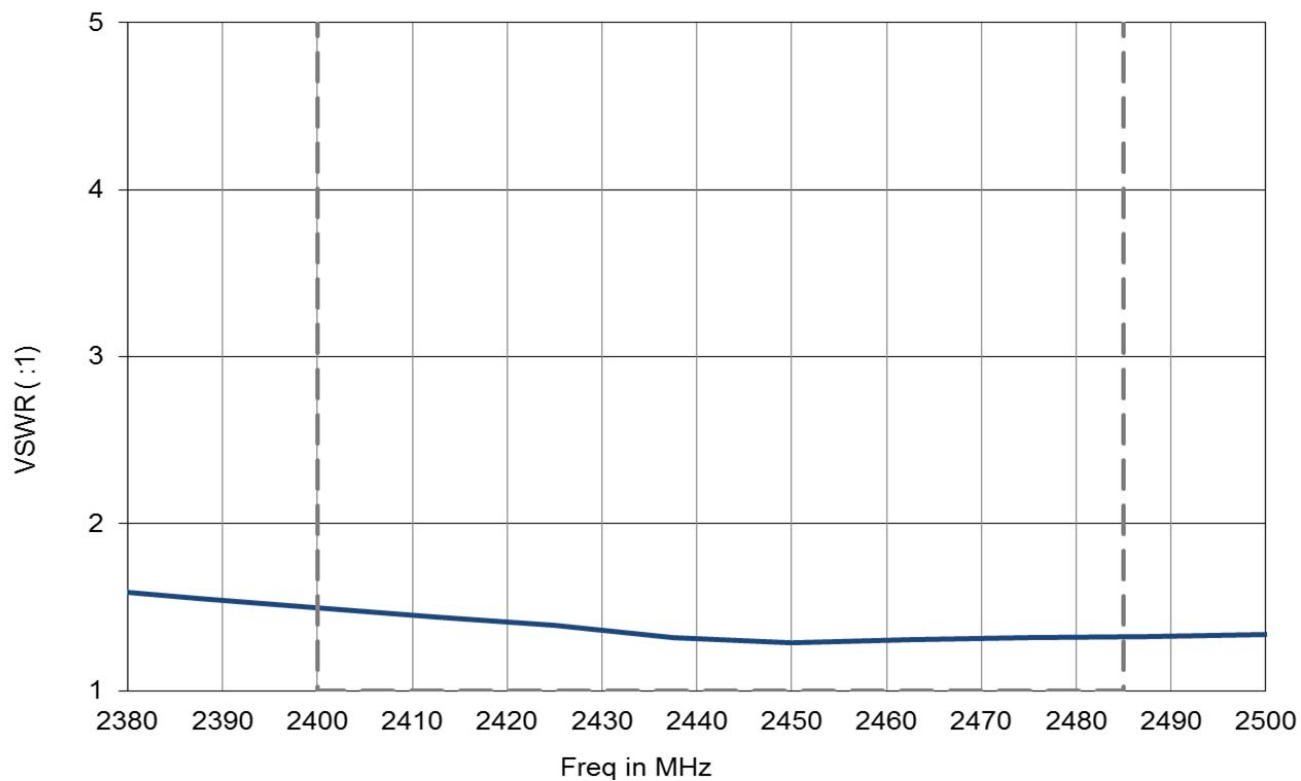
WiFi Antenna	Specifications
Frequency	2.4-2.5 GHz
VSWR (in BW)	$\leq 2.0:1$
Gain (Zenith)	2 dBi
Polarization	Vertical
Feed Point Impedance	50 Ω

Mechanical Specifications

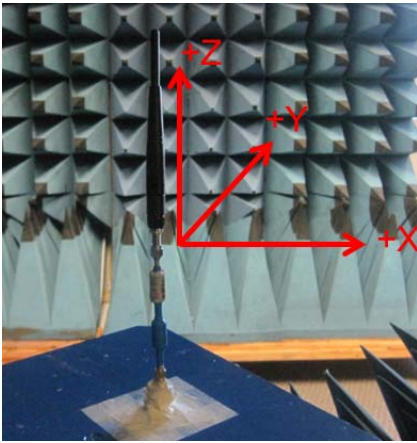
Size	136mm (full length)
Connector	SMA Male



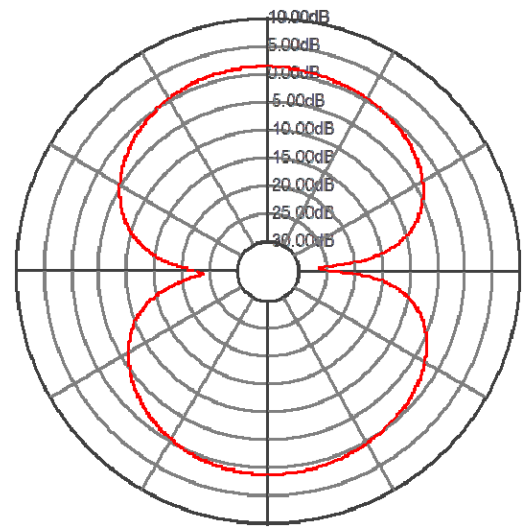
VSWR



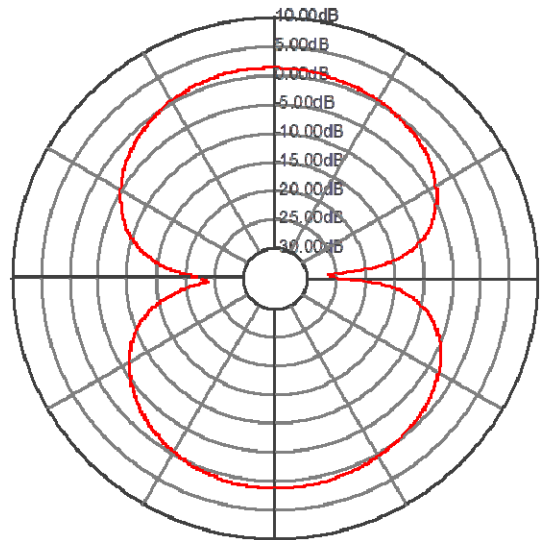
Radiation Patterns



YZ Plane



XZ Plane



XY Plane

