

### Harmonic chokes

Rated voltage 250 Vac / 350 Vdc

Rated current 1 A to 10 A

Rated inductance 0,18 to 40 mH

### Construction

- Ring core choke with iron powder core
- Two sizes (B826\*5 and B826\*7)
- Single and double chokes in each size
- Plastic case
- Complete resin potting



### Features

- Case and potting flame-retardant as per UL 94 V-0
- High attenuation of differential-mode interference at low frequencies

### Applications

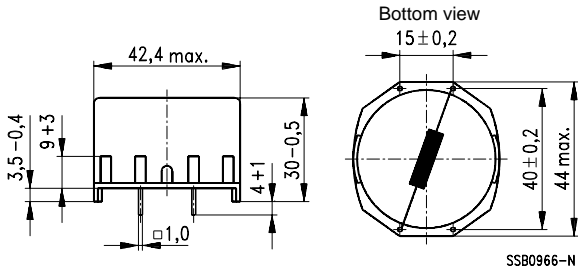
- Reduction of harmonics, e.g. in
  - washing machines
  - TV sets, PCs
  - household appliances

### Terminals

- B82615 and B82625:  
Pins fitting standard PCB grid
- B82617 and B82627:  
lead wires brought out of case,  
approx. 20 mm of wire ends tinned

### Marking

Ordering code, rated inductance, rated current, dc resistance, manufacturer, date of manufacture

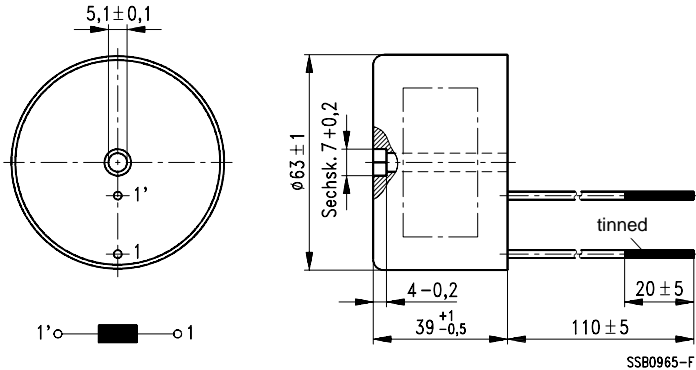
**Harmonic single choke**
**Dimensional drawing**

**General technical data**

Inductance tolerance	± 20 %
Rated current $I_R$	Referred to 50 Hz und + 40 °C ambient temperature
DC resistance $R_{typ}$	Typical value, measured at + 20 °C ambient temperature
Climatic category	In accordance with IEC 60068-1 40/125/56 (– 40 °C/+ 125 °C/56 days damp heat test)
Weight	Approx. 110 g

For further technical data [see page 315](#)

**Characteristics and ordering codes**

$I_R$ A	$L_R$ mH	$R_{typ}$ $\Omega$	Ordering code
1	20	3,0	B82615-B2102-M1
2	5,0	0,90	B82615-B2202-M1
3	2,5	0,40	B82615-B2302-M1
4	1,5	0,22	B82615-B2402-M1
5	1,0	0,15	B82615-B2502-M1
6	0,7	0,10	B82615-B2602-M1

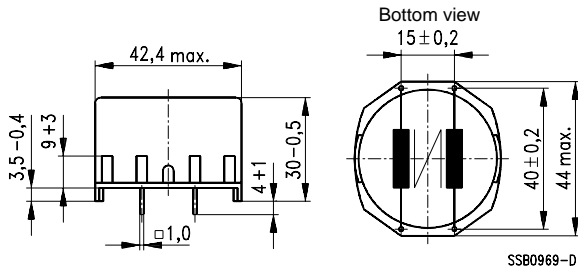
**Harmonic single choke**
**Dimensional drawing**

**General technical data**

Inductance tolerance	± 20 %
Rated current $I_R$	Referred to 50 Hz and + 40 °C ambient temperature
DC resistance $R_{typ}$	Typical value, measured at + 20 °C ambient temperature
Climatic category	In accordance with IEC 60068-1 40/125/56 (- 40 °C/+ 125 °C/56 days damp heat test)
Weight	Approx. 380 g

For further technical data [see page 315](#)

**Characteristics and ordering codes**

$I_R$ A	$L_R$ mH	$R_{typ}$ $\Omega$	Ordering code
1	40	3,2	B82617-F2102-M1
2	18	1,2	B82617-F2202-M1
3	9,5	0,70	B82617-F2302-M1
4	5,5	0,41	B82617-F2402-M1
5	3,5	0,28	B82617-F2502-M1
6	2,4	0,185	B82617-F2602-M1
8	1,4	0,100	B82617-F2802-M1
10	1,0	0,065	B82617-F2103-M1

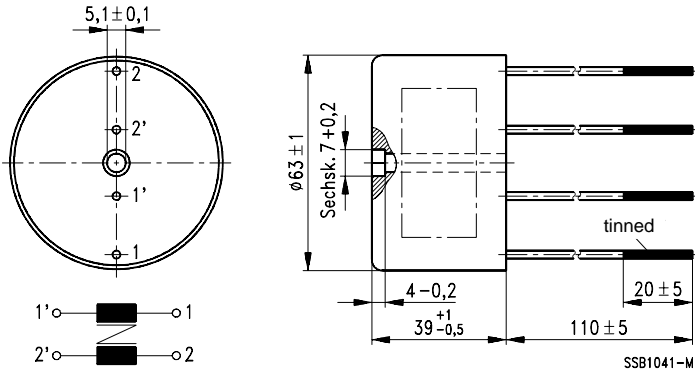
**Harmonic double choke**
**Dimensional drawing**

**General technical data**

Inductance tolerance	± 20 %
Rated current $I_R$	Referred to 50 Hz and + 40 °C ambient temperature
DC resistance $R_{typ}$	Typical value, measured at + 20 °C ambient temperature
Climatic category	In accordance with IEC 60068-1 40/125/56 (- 40 °C/+ 125 °C/56 days damp heat test)
Weight	Approx. 120 g

For further technical data [see page 315](#)

**Characteristics and ordering codes**

$I_R$ A	$L_R$ mH	$R_{typ}$ $\Omega$	Ordering code
1	5	1,40	B82625-B2102-M1
2	1,2	0,45	B82625-B2202-M1
3	0,7	0,20	B82625-B2302-M1
4	0,4	0,11	B82625-B2402-M1
5	0,25	0,075	B82625-B2502-M1
6	0,18	0,050	B82625-B2602-M1

**Harmonic double choke**
**Dimensional drawing**

**General technical data**

Inductance tolerance	$\pm 20\%$
Rated current $I_R$	Referred to 50 Hz and + 40 °C ambient temperature
DC resistance $R_{typ}$	Typical value, measured at + 20 °C ambient temperature
Climatic category	In accordance with IEC 60068-1 40/125/56 (- 40 °C/+ 125 °C/56 days damp heat test)
Weight	Approx. 380 g

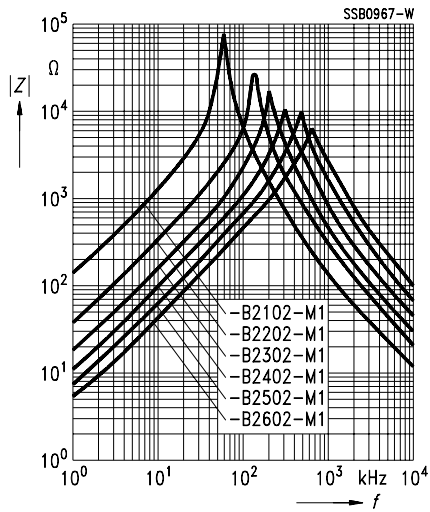
For further technical data [see page 315](#)

**Characteristics and ordering codes**

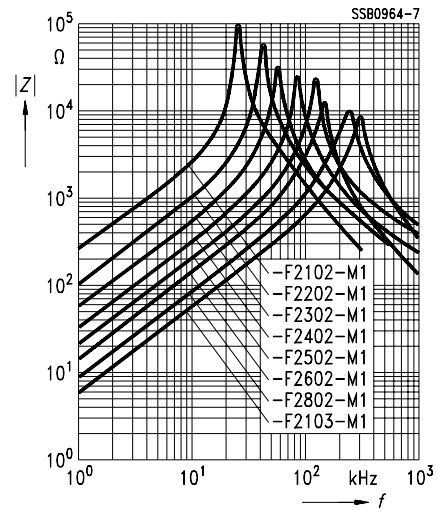
$I_R$ A	$L_R$ mH	$R_{typ}$ $\Omega$	Ordering code
1	10,0	2,0	B82627-F2102-M1
2	4,5	0,65	B82627-F2202-M1
3	2,5	0,38	B82627-F2302-M1
4	1,5	0,20	B82627-F2402-M1
5	0,9	0,14	B82627-F2502-M1
6	0,6	0,09	B82627-F2602-M1
8	0,35	0,05	B82627-F2802-M1
10	0,25	0,035	B82627-F2103-M1

**Impedance  $|Z|$**   
versus frequency  $f$

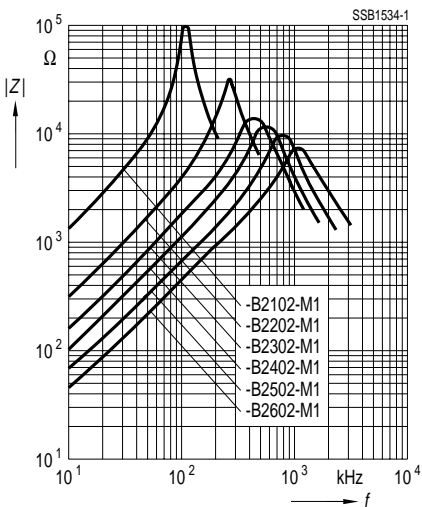
B82615-



B82617-



B82625-



B82627-

