

- In accordance with IEC 61596
- For transformers featuring high inductance and low overall height
- For power applications
- EP cores are supplied in sets

Magnetic characteristics (per set)

$$\Sigma l/A = 1,24 \text{ mm}^{-1}$$

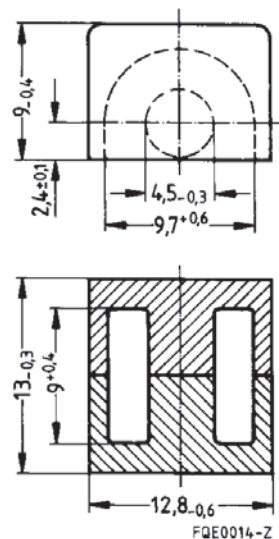
$$l_e = 24,2 \text{ mm}$$

$$A_e = 19,5 \text{ mm}^2$$

$$A_{\min} = 14,9 \text{ mm}^2$$

$$V_e = 472 \text{ mm}^3$$

Approx. weight 4,5 g/set



Gapped

Material	A_L value nH	s approx. mm	μ_e	Ordering code
N67	$300 \pm 5 \%$	0,07	296	B65843-A300-J67

Ungapped

Material	A_L value nH	μ_e	$A_{L1\min}$ nH	P_V W/set	Ordering code
N67	$1600 + 30/- 20 \%$	1580	900	0,22 (200 mT, 100 kHz, 100 °C)	B65843-A-R67
N87	$1600 + 30/- 20 \%$	1580	900	0,18 (200 mT, 100 kHz, 100 °C)	B65843-A-R87
N26 ¹⁾	$1400 + 30/- 20 \%$	1380			B65843-A-R26
N30	$2800 + 30/- 20 \%$	2760			B65843-A-R30
T65 ¹⁾	$4000 + 30/- 20 \%$	3950			B65843-A-R65
T35	$4400 + 30/- 20 \%$	4340			B65843-A-R35
T38	$7000 + 40/- 30 \%$	6910			B65843-A-Y38
T42	$8500 + 40/- 30 \%$	8300			B65843-A-Y42

1) Preliminary data

Coil former

Material: GFR thermosetting plastic (UL 94 V-0, insulation class to IEC 60085: F \triangleq max. operating temperature 155 °C), color code green

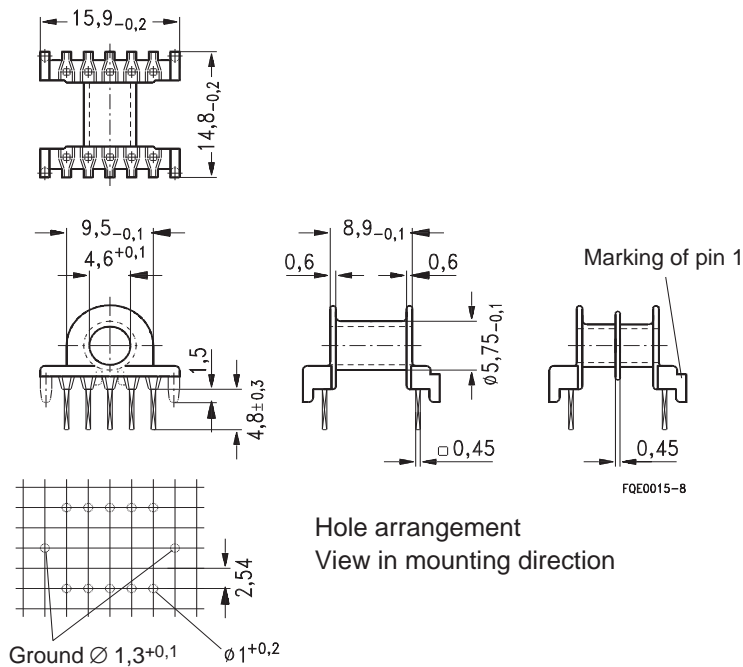
Solderability: to IEC 60068-2-20, test Ta, method 1 (aging 3): 235 °C, 2 s

Resistance to soldering heat: to IEC 60068-2-20, test Tb, method 1B: 350 °C, 3,5 s

Winding: see page 155

Squared pins

Sections	A_N mm ²	l_N mm	A_R value $\mu\Omega$	Terminals	Ordering code
1	13,8	23,8	59,4	10	B65844-C1010-D1
2	13,0	23,8	63,2	10	B65844-C1010-D2



Hole arrangement
View in mounting direction

Coil former with closed center flange for high-voltage applications

Material: GFR thermosetting plastic (UL 94 V-0, insulation class to IEC 60085: F \triangleq max. operating temperature 155 °C), color code green

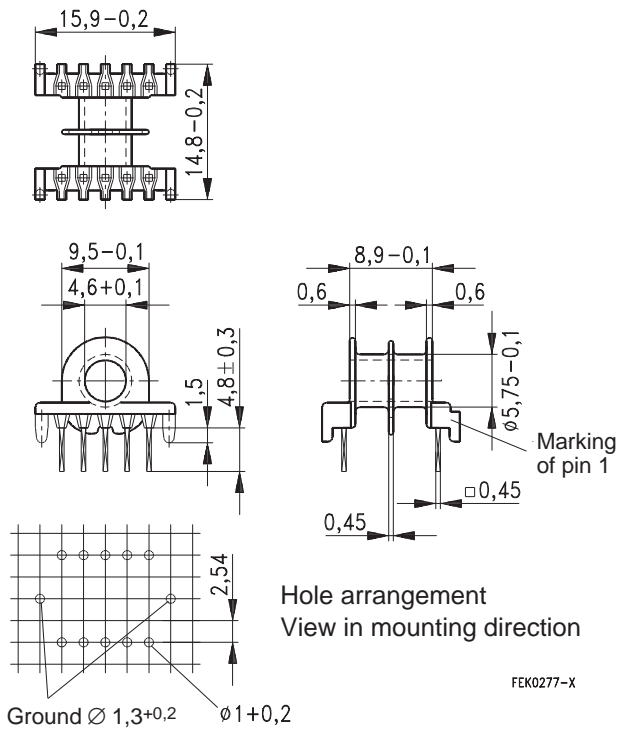
Solderability: to IEC 60068-2-20, test Ta, method 1 (aging 3): 235 °C, 2 s

Resistance to soldering heat: to IEC 60068-2-20, test Tb, method 1B: 350 °C, 3,5 s

Winding: see page 155

Squared pins

Sections	A_N mm ²	l_N mm	A_R value $\mu\Omega$	Terminals	Ordering code
2	13,0	23,8	63,2	10	B65844-L1010-D2



Mounting assembly

The set comprises a yoke and a clamp

Yoke

Material: Made of nickel silver (0,4 mm) with ground terminal (tinned)

Clamp

Material: Spring clamp, made of nickel silver (0,4 mm)

Cap yoke

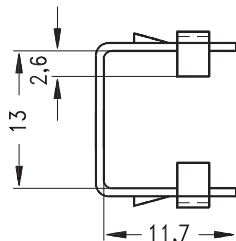
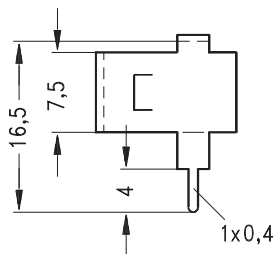
Material: With ground terminal, made of stainless spring steel (tinned), 0,3 mm thick

Available from I/99

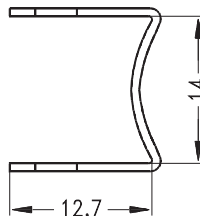
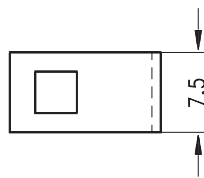
Matching coil former in preparation

	Ordering code
Complete mounting assembly	B65844-A2000
Cap yoke ¹⁾	B65844-C2000

Yoke

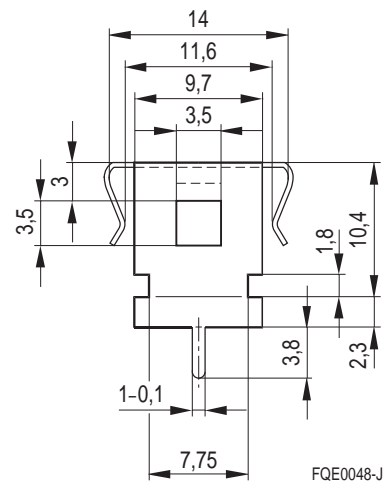
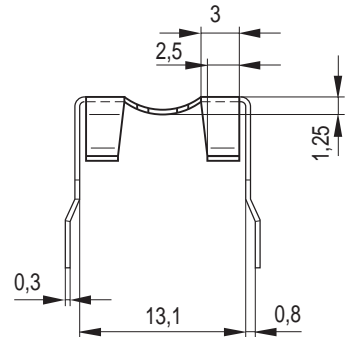


Clamp



FQE0016-G

Cap yoke



FQE0048-J

1) Preliminary data

SMD coil former with gullwing terminals

Material: GFR liquid crystal polymer (UL 94 V-0, insulation class to IEC 60085:
F \triangleq max. operating temperature 155 °C), color code natural or black

Resistance to soldering heat: to IEC 60068-2-20, test Tb, method 1B: 350 °C, 3,5 s
permissible soldering temperature for wire-wrap connection on coil former: 400 °C, 1 s

Winding: see page 160

Sections	A_N mm ²	l_N mm	A_R value $\mu\Omega$	Terminals	Ordering code
1	14,0	23,8	59,4	10	B65844-N1110-T1
2	13,2	23,8	63,2	10	B65844-N1110-T2

