



WLAN Modules

Series/type:	D6101
Ordering code:	B30810-D6101-Q819
Date:	June 19, 2008
Version:	02



Preliminary Data

Change History

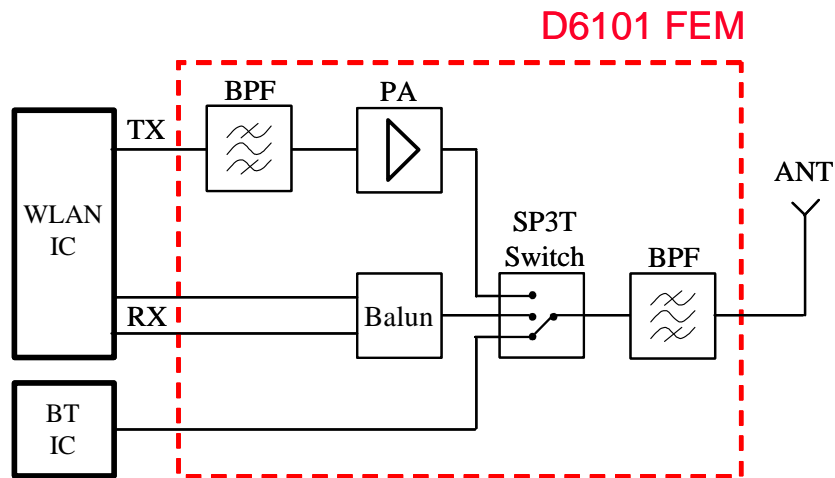
D6101_M01	07.04.08	Initial datasheet release	Alexander Chernyakov
D6101_M02	19.06.08	802.11n performance figures added	Alexander Chernyakov

Preliminary Data

Features

- Miniature fully-integrated WLAN / Bluetooth frontend module for mobile phone applications
- Covering IEEE 802.11 b/g/n (WLAN) and Bluetooth frequency band at 2.4 GHz
- Integrated fully-matched power amplifier with power detector
- Integrated high-rejection filters for co-existence of cellular and WLAN radios
- Integrated high-isolation SP3T antenna switch
- Simple application circuit with minimum external component count
- Power supply from unregulated battery voltage
- Multifunctional ceramic package suitable for **Surface Mounted Technology (SMT)**
- Module provides Ni/Au-plated pads and overmold encapsulation
- RoHS compliant

Block diagram



Type	Ordering code	Marking and Package according to	Packing according to
D6101 (dev.code R041)	B30810-D6101-Q819	C61157-A4-A54	F61074-V8207-Z000

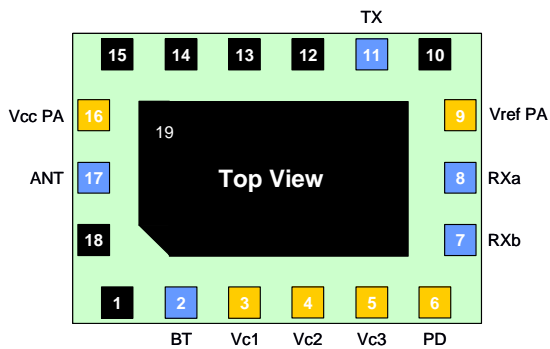
Electrostatic Sensitive Device (ESD)

Preliminary Data
Maximum Ratings

Operation temperature range	T	-30... +85	°C
Storage temperature range	T _{stg}	-55... +125	°C
Max. input power on Tx Port	P _{in}	+5	dBm
Max. input power on RF Ports (except Tx)	P _{in}	+30	dBm
Max. control voltage (Switch)	V _{ctrl}	+5.4	V
Max. supply voltage (PA)	V _{cc}	+5.4	V
Max. supply current (PA)	I _{max}	400	mA
Max. reference voltage (PA)	V _{ref}	+3.0	V

ESD Ratings

Human Body Model	1000	V	JESD22-A114C
Machine Model	100	V	JESD22-A115A
Charge Device Model	500	V	JESD22-C101
Contact Discharge (ANT pin)	8	kV	IEC60001-2-4

Pin configuration

Pin assignment:

- | | |
|---------------------------|------------------------------|
| 1 - GND | 11 - TX |
| 2 - Bluetooth | 12 - GND |
| 3 - Vc1 (switch control) | 13 - GND |
| 4 - Vc2 (switch control) | 14 - GND |
| 5 - Vc3 (switch control) | 15 - GND |
| 6 - Power detector output | 16 - Vcc PA |
| 7 - RXb (balanced) | 17 - ANT |
| 8 - RXa (balanced) | 18 - GND |
| 9 - Vref PA | 19 - GND (center ground pad) |
| 10 - GND | |

Switch Control Logic

	ANT - BT	ANT - TX	ANT - RX	All Off
Vc1	High	Low	Low	Low
Vc2	Low	High	Low	Low
Vc3	Low	Low	High	Low

Preliminary Data
Bias and Switch Characteristics

Switch control voltage High	V_{CTRL}	2.7 ... 4.5	V
Switch control voltage Low	V_{CTRL}	0 ... 0.2	V
Switch control voltage High (reduced linearity)	V_{CTRL}	1.8 ... 2.7*	V
Switch control current max.	I_{CTRL}	50	μA
Switching time max.	T_{SW}	100	ns
Switch IP1dB	IP1dB	+29..32	dBm
PA supply voltage	V_{CC}	3.1 ... 4.5**	V
PA reference voltage	V_{REF}	2.8 +/- 0.1***	V

* IP1dB \geq +27 dBm, IP0.1dB \geq +24 dBm.

** unregulated battery operation is possible.

*** with an external serial resistor of 51..68 Ohm (see application schematic on page 19)

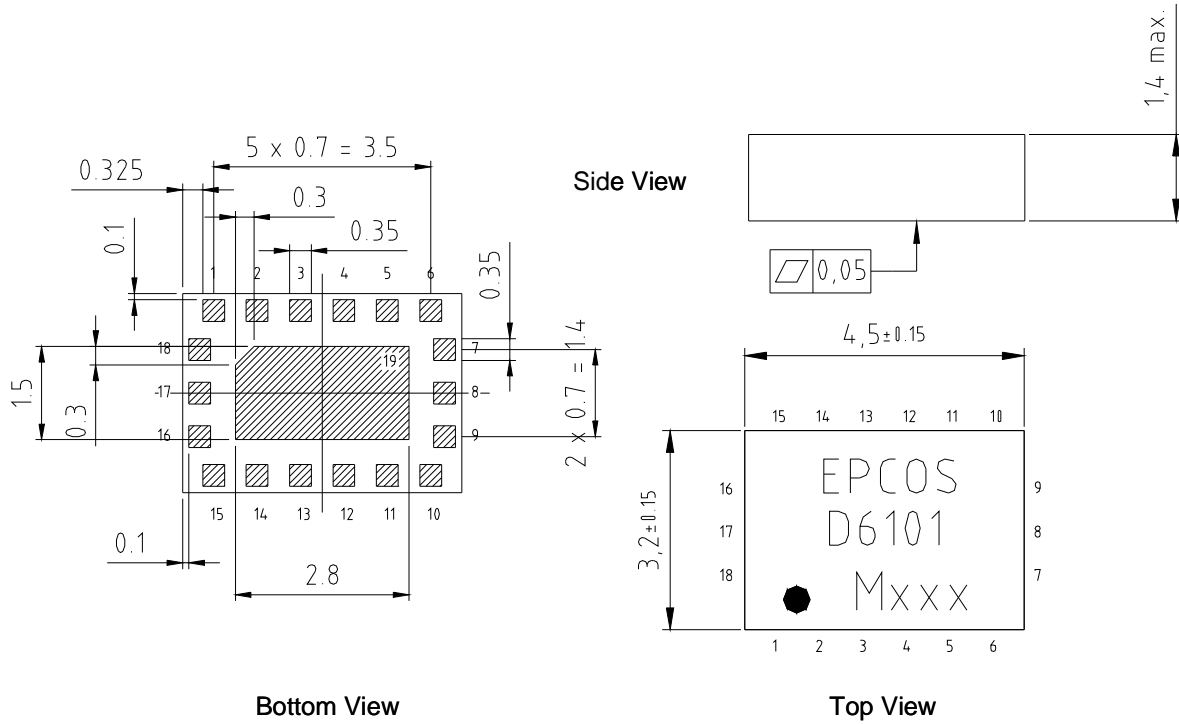
Caution

! Setting the switch in the wrong state (RX or BT) during the TX mode (PA turned on, Vref and Vcc voltages applied) may damage the FEM if the output power is high (>+17 dBm). Please make sure that the software which controls the FEM does not allow this state during system operation or calibration. Alternatively, using the modified application circuit (see page 20) will force this state not to happen on hardware level. **!**

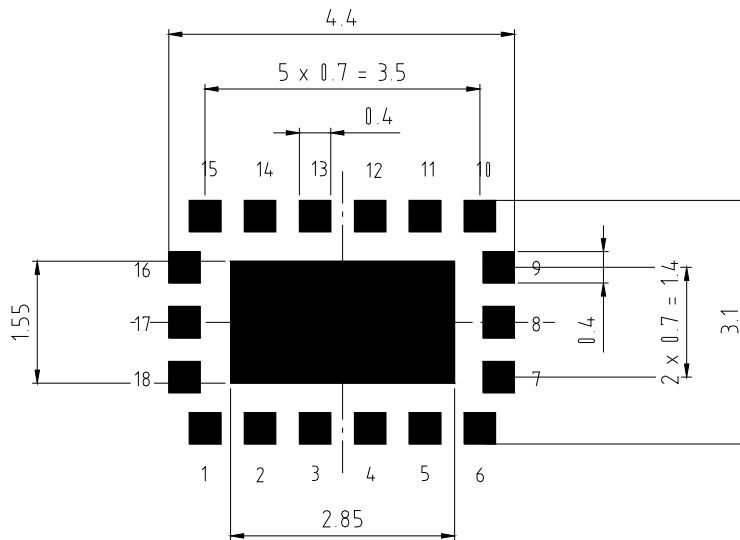
Preliminary Data

Mechanical Drawing

(ceramic package MC190E)



Recommended Board Footprint



All dimensions in mm.

Preliminary Data
Characteristics Bluetooth TX / RX Mode

Operating temperature range: T = -30 ... +85°C

Terminating impedances on all RF ports: Z = 50Ω

	min.	typ.	Max.	
Insertion loss				
2400 – 2500 MHz	-	3.3	4.0	dB
Amplitude Ripple				
2400 – 2500 MHz	-	-	1.5	dB
Return loss (TX/RX)				
2400 – 2500 MHz	10	15	-	dB
Return loss (ANT)				
2400 – 2500 MHz	10	15	-	dB
Frequency response				
DC – 824 MHz	48	60	-	dB
824 – 960 MHz	48	55	-	dB
960 – 1570 MHz	43	47	-	dB
1570 – 1580 MHz	43	47	-	dB
1580 – 1710 MHz	43	47	-	dB
1710 – 1850 MHz	43	50	-	dB
1850 – 1910 MHz	43	50	-	dB
1910 – 1990 MHz	42	50	-	dB
1990 – 2170 MHz	25	35	-	dB
3200 – 3500 MHz	-	15	-	dB
4800 – 5850 MHz	30	40	-	dB
7200 – 7500 MHz	18	25	-	dB

Preliminary Data
Characteristics WLAN RX Mode

Operating temperature range: T = -30 ... +85°C

Terminating impedances on all RF ports: Z = 50Ω

	min.	Typ.	Max.	
Insertion loss				
2400 – 2500 MHz	-	3.8	4.4	dB
Amplitude Ripple				
2400 – 2500 MHz	-	-	1.5	dB
Return loss (RX)				
2400 – 2500 MHz	10	15	-	dB
Return loss (ANT)				
2400 – 2500 MHz	10	15	-	dB
Frequency response				
DC – 824 MHz	48	60	-	dB
824 – 960 MHz	48	55	-	dB
960 – 1570 MHz	43	47	-	dB
1570 – 1580 MHz	43	47	-	dB
1580 – 1710 MHz	43	47	-	dB
1710 – 1850 MHz	43	50	-	dB
1850 – 1910 MHz	43	50	-	dB
1910 – 1990 MHz	40	50	-	dB
1990 – 2170 MHz	25	35	-	dB
3200 – 3500 MHz	-	15	-	dB
4800 – 5850 MHz	-	30	-	dB

Preliminary Data
Characteristics WLAN TX Mode *

Operating temperature range: T = -30 ... +85°C
 Terminating impedances on all RF ports: Z = 50Ω

	Min.	Typ.	Max.	
Insertion gain				
2400 – 2500 MHz	24	27	-	dB
Gain variation (full band)				
2400 – 2500 MHz	-	-	2.0	dB
Return loss (TX)				
2400 – 2500 MHz	-	6	-	dB
Return loss (ANT)				
2400 – 2500 MHz	10	15	-	dB
Frequency response				
DC – 960 MHz	-20	-40	-	dB
960 – 1570 MHz	-30	-40	-	dB
1570 – 1580 MHz	-30	-40	-	dB
1580 – 1710 MHz	-25	-35	-	dB
1710 – 1850 MHz	-20	-30	-	dB
1850 – 1910 MHz	-20	-25	-	dB
1910 – 1990 MHz	-15	-22	-	dB
1990 – 2170 MHz	-10	-22	-	dB
3200 – 3500 MHz	-	7	-	dB
4800 – 5000 MHz	-	-45	-	dB
7200 – 7500 MHz	-	-35	-	dB
Output power in 802.11g mode, EVM < 3.3%				
54 Mbps OFDM				
Vcc=3.3V, Vref=2.8V, Ta=25°C	13	15	-	dBm
Added EVM in 802.11g mode				
54 Mbps OFDM @ +15dBm Pout				
Vcc=3.3V, Vref=2.8V, Ta=25°C	-	3.3	-	%

Preliminary Data

Output power in 802.11b mode 11 Mbps CCK Vcc=3.3V, Vref=2.8V, Ta=25°C	15	17	-	dBm
ACPR in 802.11b mode (1st/2nd sidelobe) 1 Mbps CCK @ +18dBm output Vcc=3.3V, Vref=2.8V, Ta=25°C	-	-	-30 / -50	dBc
Output power in 802.11n mode 40 MHz channel, 150 Mbps OFDM, 64 QAM 5/6 Vcc=3.3V, Vref=2.8V, Ta=25°C	-	14	-	dBm
Current consumption 54 Mbps OFDM @ +15 dBm Pout Vcc=3.3V, Vref=2.8V, Ta=25°C	-	130	180	mA
11 Mbps CCK @ +17 dBm Pout Vcc=3.3V, Vref=2.8V, Ta=25°C	-	150	220	mA
1dB compression point (at ANT pin) 54 Mbps OFDM signal Vcc=3.3V, Vref=2.8V, Ta=25°C	+17.0	+18.5	-	dBm
Tx Harmonics 1 Mbps CCK @ +18dBm Pout Vcc=3.3V, Vref=2.8V, Ta=25°C				
4800 – 5000 MHz	-	-48	-42	dBm
7200 – 7500 MHz	-	-48	-42	dBm
Quiescent current Vcc=3.3V, Vref=2.8V, Ta=25°C	-	100	-	mA
Power detector voltage Vcc=3.3V, Vref=2.8V, Ta=25°C				
Pout=+10 dBm	0.2	0.4	-	V
Pout=+17 dBm	-	0.9	1.2	V

* Data shown for R5=68 Ohm (application circuits on pages 19..20)

Preliminary Data
Characteristic Isolations

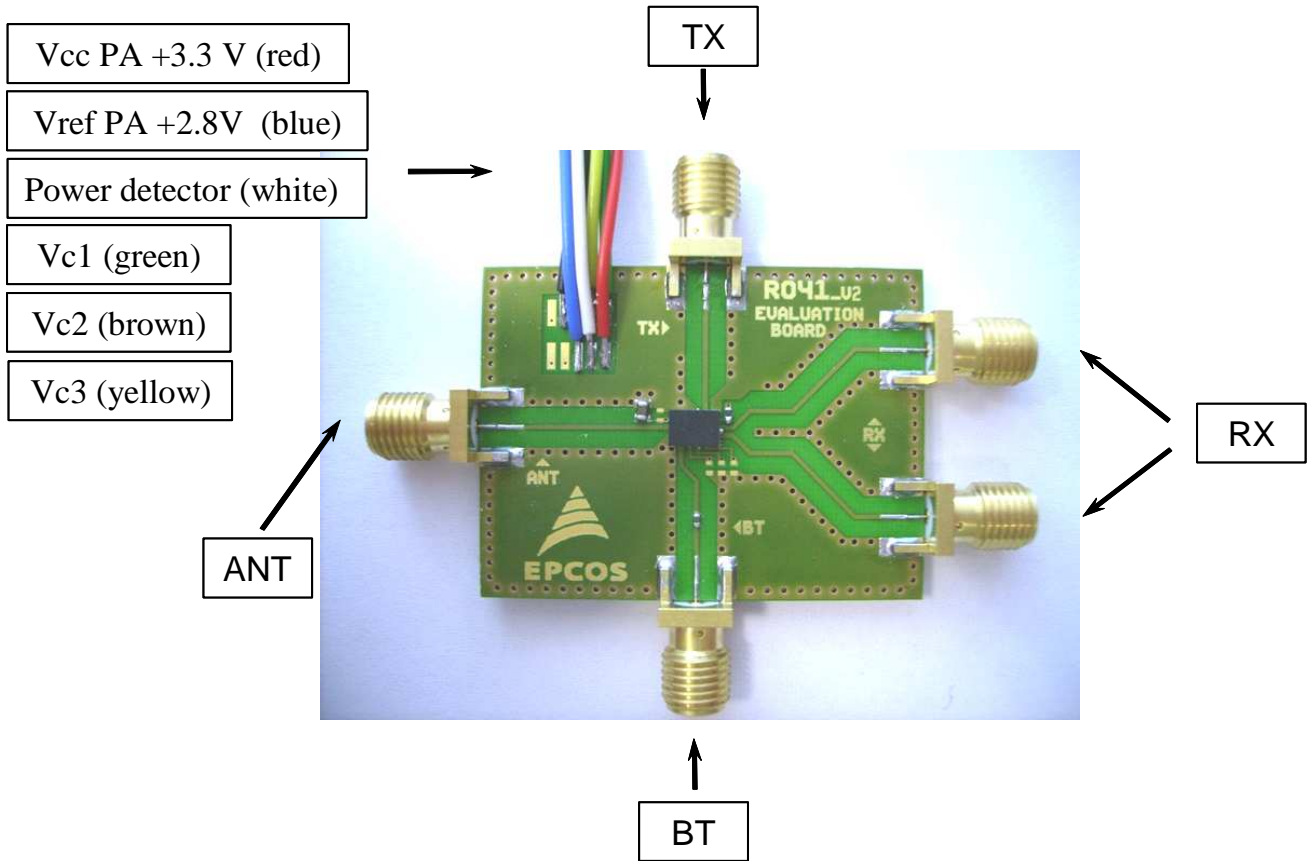
Operating temperature range: T = -30 ... +85°C

Terminating impedances on all RF ports: Z = 50Ω

	Min.	Typ.	Max.	
Isolation WLAN TX – WLAN RX 2400 – 2500 MHz	20	-	-	dB
Isolation WLAN TX – BT 2400 – 2500 MHz	20	-	-	dB
Isolation BT – WLAN RX 2400 – 2500 MHz	25	-	-	dB
Isolation WLAN TX – ANT (Tx off) 2400 – 2500 MHz	20	-	-	dB
Isolation WLAN RX – ANT (Rx off) 2400 – 2500 MHz	20	-	-	dB
Isolation BT – ANT (BT off) 2400 – 2500 MHz	20	-	-	dB

Preliminary Data

Evaluation Board

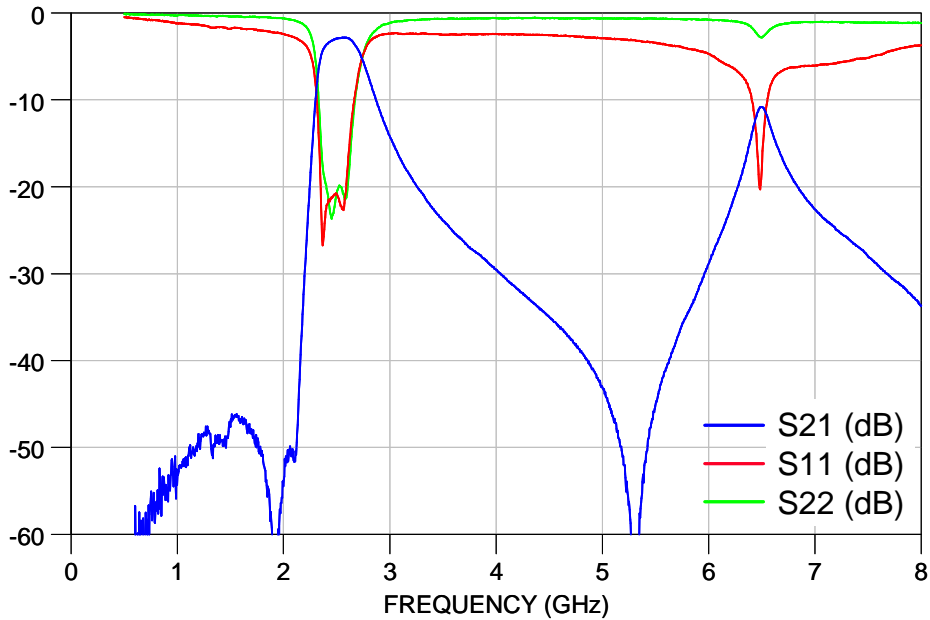


Evaluation PCB loss:

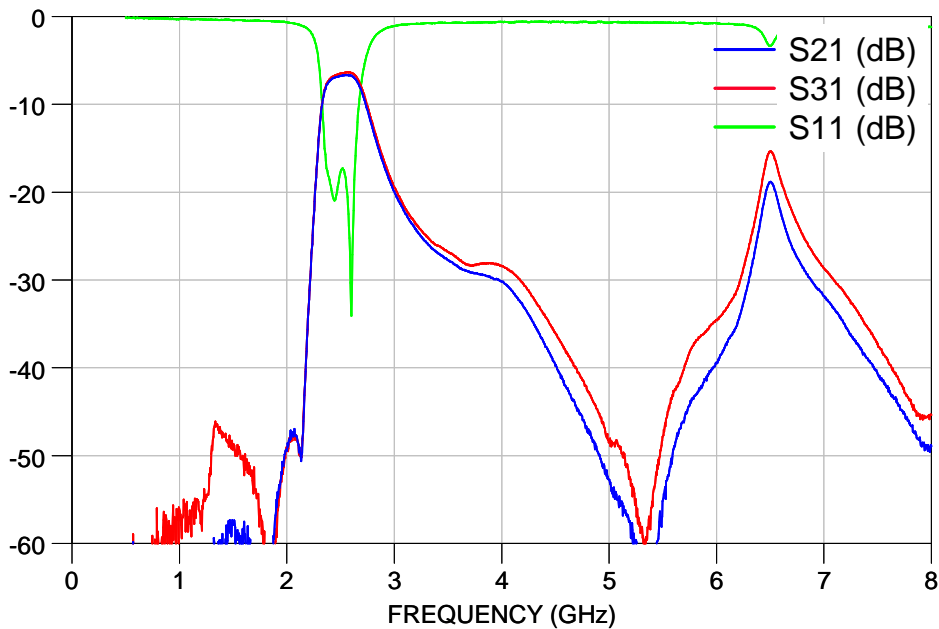
BT path	0.3 dB
RXa path	0.4 dB
RXb path	0.4 dB
TX path	0.3 dB

Preliminary Data

Typical characteristics Bluetooth TX / RX Mode (PCB loss included)



Typical characteristics WLAN RX Mode (PCB loss included)¹

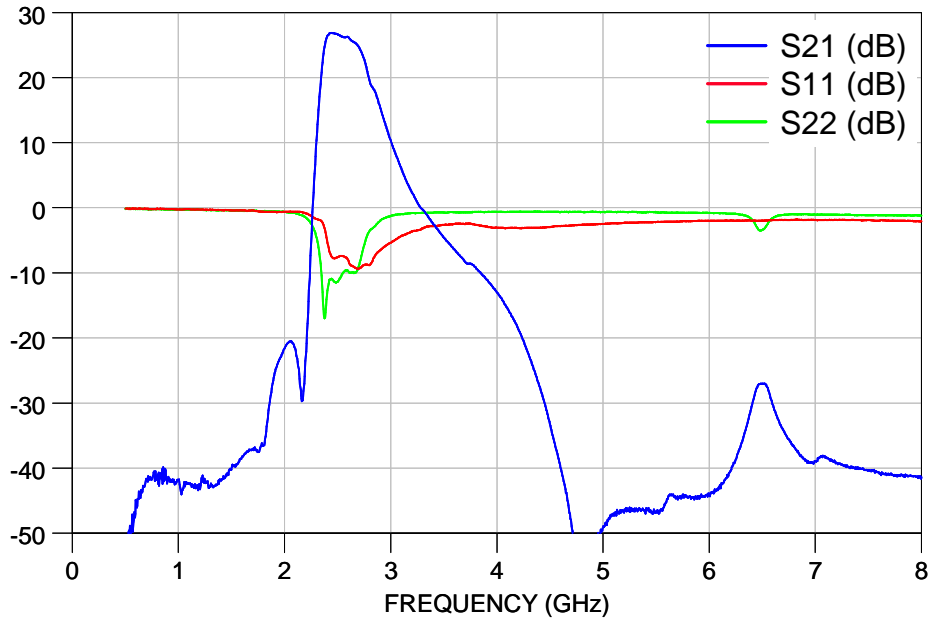


¹ - single-ended measurements. Actual insertion loss is 3 dB better when measuring balanced

Preliminary Data

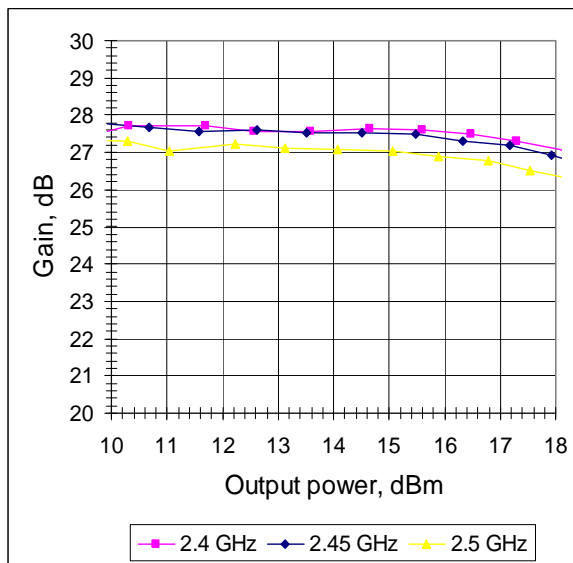
Typical characteristics WLAN TX Mode (PCB loss included)*

(Vcc=3.3V, Vref=2.8V, Ta=25°C)



Typical Tx Gain*

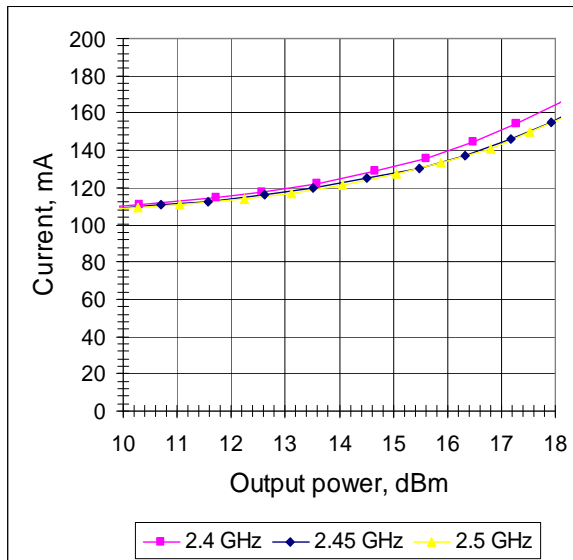
(Measurement Conditions: 802.11g mode / 54 Mbps OFDM, duty cycle 99%, Vcc=3.3V, Vref=2.8V, Ta=25°C, f=2.45 GHz)



Preliminary Data

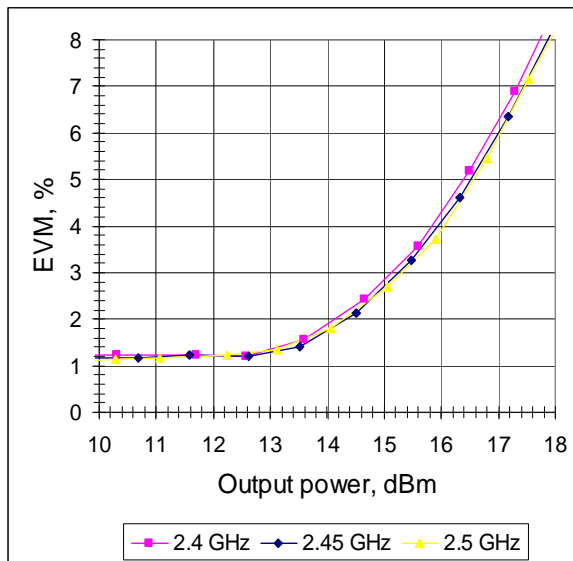
Typical Tx Power Consumption*

(Measurement Conditions: 802.11g mode / 54 Mbps OFDM, duty cycle 99%, Vcc=3.3V, Vref=2.8V, Ta=25°C, f=2.45 GHz).



Typical EVM Performance*

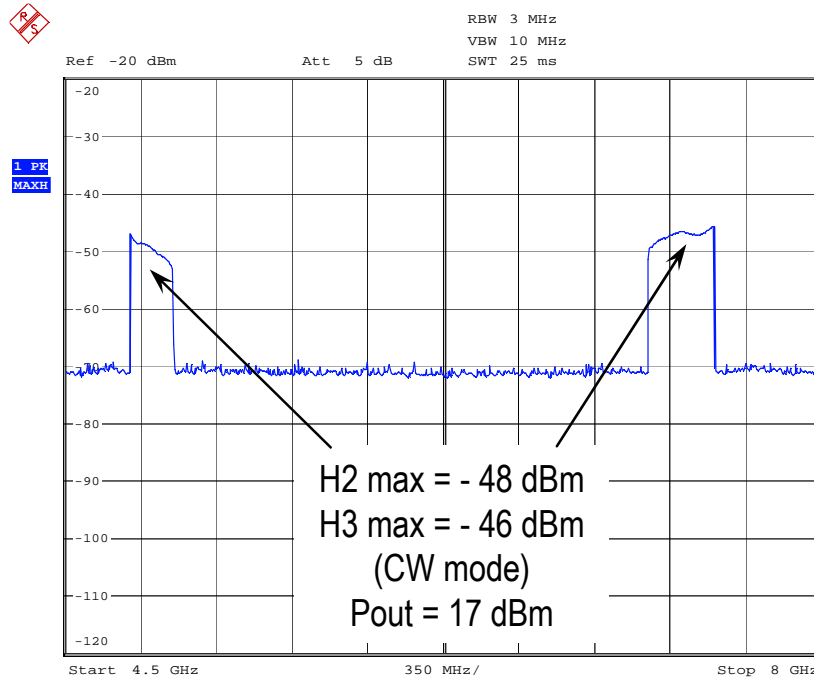
(Measurement Conditions: 802.11g mode / 54 Mbps OFDM, duty cycle 99%, Vcc=3.3V, Vref=2.8V, Ta=25°C, f=2.45 GHz)



Preliminary Data

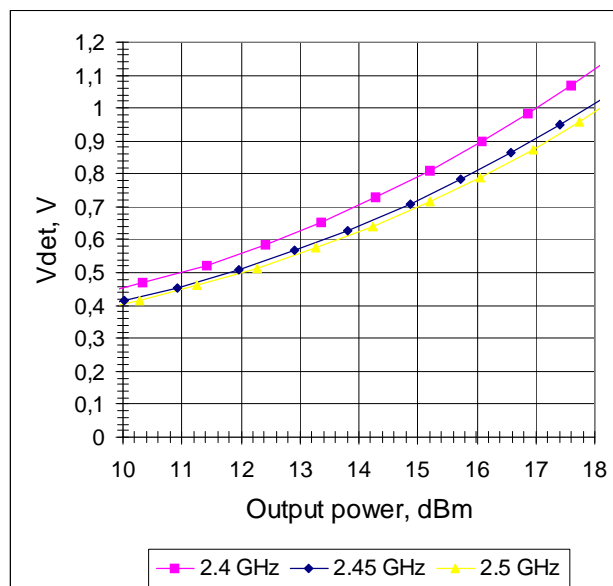
Typical Tx Harmonics*

(Measurement Conditions: Pout=+17dBm, frequency sweep (CW) 2.4..2.5 GHz Vcc=3.3V, Vref=2.8V, Ta=25°C)



Typical Power Detector Output Voltage*

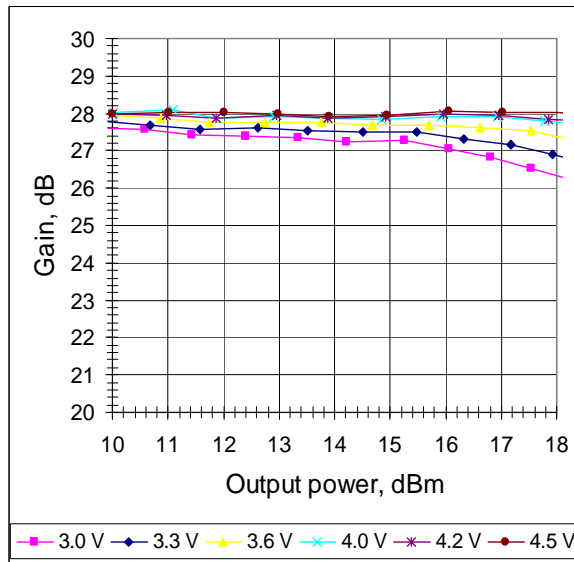
(Measurement Conditions: 802.11g mode / 54 Mbps OFDM, duty cycle 99%, Vcc=3.3V, Vref=2.8V, Ta=25°C, f=2.45 GHz).



Preliminary Data

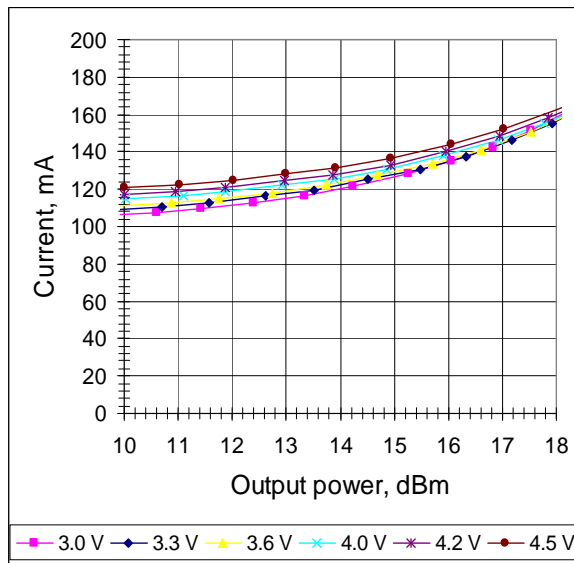
TX gain versus PA_Vcc variation (3.0..4.5V)*

(Measurement Conditions: 802.11g mode / 54 Mbps OFDM, duty cycle 99%, Vref=2.8V, Ta=25°C, f=2.45 GHz).



TX current consumption versus PA_Vcc variation (3.0..4.5V)*

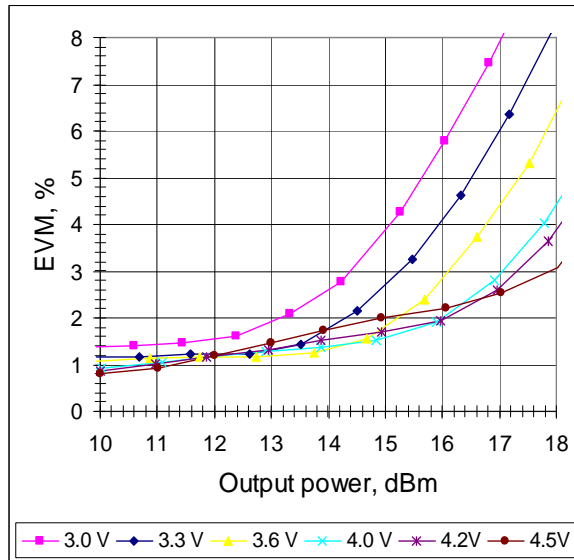
(Measurement Conditions: 802.11g mode / 54 Mbps OFDM, duty cycle 99%, Vref=2.8V, Ta=25°C, f=2.45 GHz).



Preliminary Data

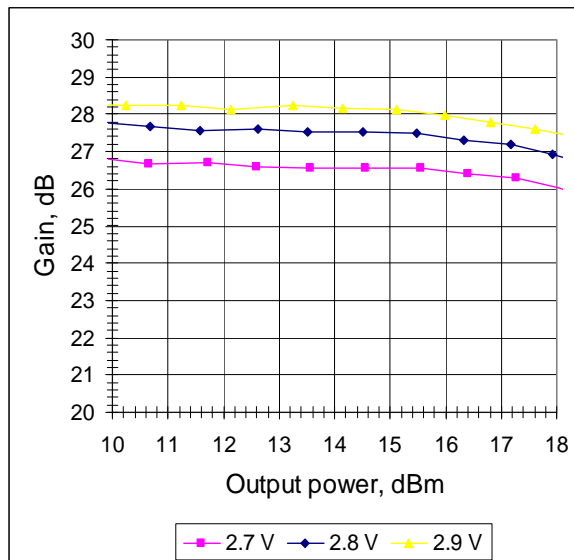
TX EVM versus PA Vcc variation (3.0..4.5V)*

(Measurement Conditions: 802.11g mode / 54 Mbps OFDM, duty cycle 99%, Vref=2.8V, Ta=25°C, f=2.45 GHz).



TX gain versus Vref variation*

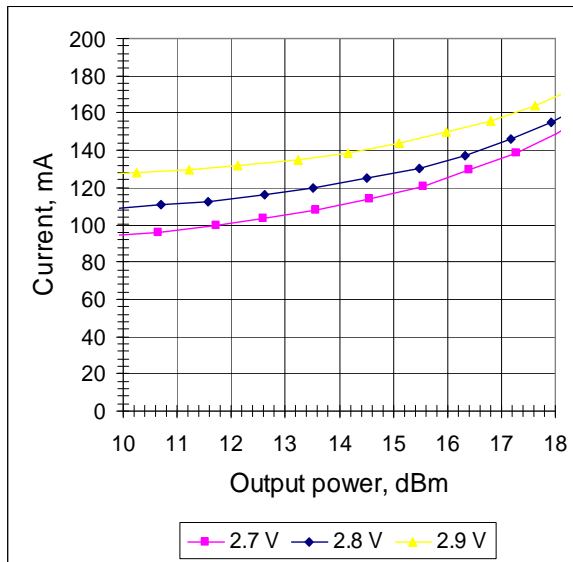
(Measurement Conditions: 802.11g mode / 54 Mbps OFDM, duty cycle 99%, Vcc=3.3V, Ta=25°C, f=2.45 GHz).



Preliminary Data

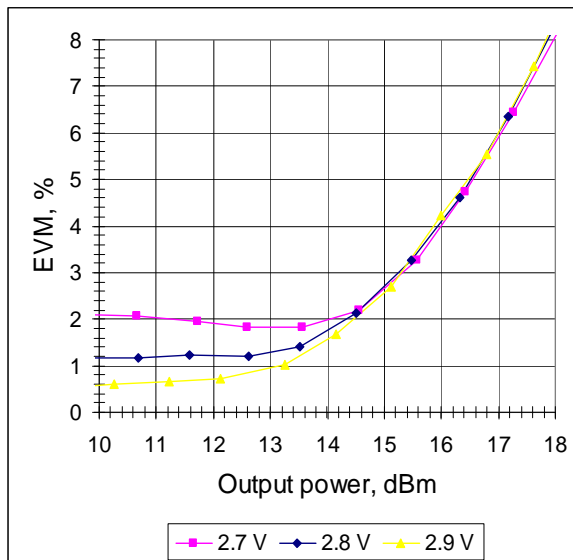
TX current consumption versus Vref variation*

(Measurement Conditions: 802.11g mode / 54 Mbps OFDM, duty cycle 99%, Vcc=3.3V, Ta=25°C, f=2.45 GHz).



TX EVM versus Vref variation*

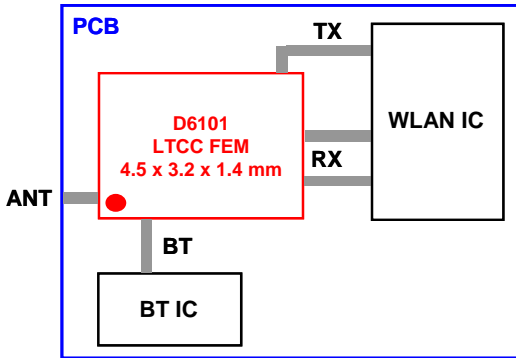
(Measurement Conditions: 802.11g mode / 54 Mbps OFDM, duty cycle 99%, Vcc=3.3V, Ta=25°C, f=2.45 GHz).



* Data shown with R5=68 Ohm (application circuits on pages 19..20)

Preliminary Data

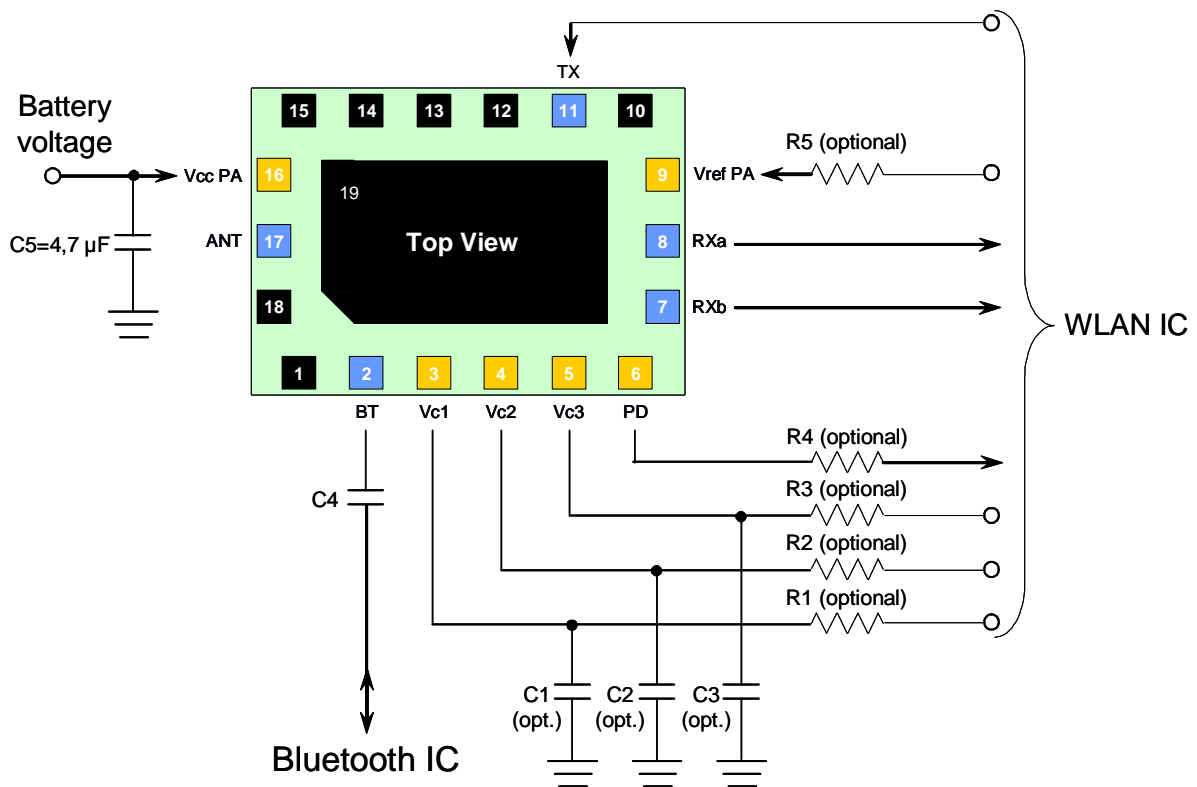
Reference Design Example



The D6101 front-end module is intended for mobile phone applications, where size is a critical parameter.

The D6101 FEM allows to realize a simple and very compact reference design with minimum BOM count for Bluetooth and WLAN application. A common antenna is shared between the WLAN and the Bluetooth radios.

Application Circuit



All RF ports are 50 Ohm matched. WLAN RX ports are matched to 100 Ohm differential impedance. All RF ports except for Bluetooth RX/TX are internally DC-decoupled. For the Bluetooth port an external DC-decoupling capacitors may be required (this pin is coupled with DC voltage).

Preliminary Data

For PA power supply, one external capacitor ($C5=4.7\mu\text{F}$) should be connected to the PA Vcc pin. If such a large capacitor is already used somewhere else in the reference design, it might be redundant.

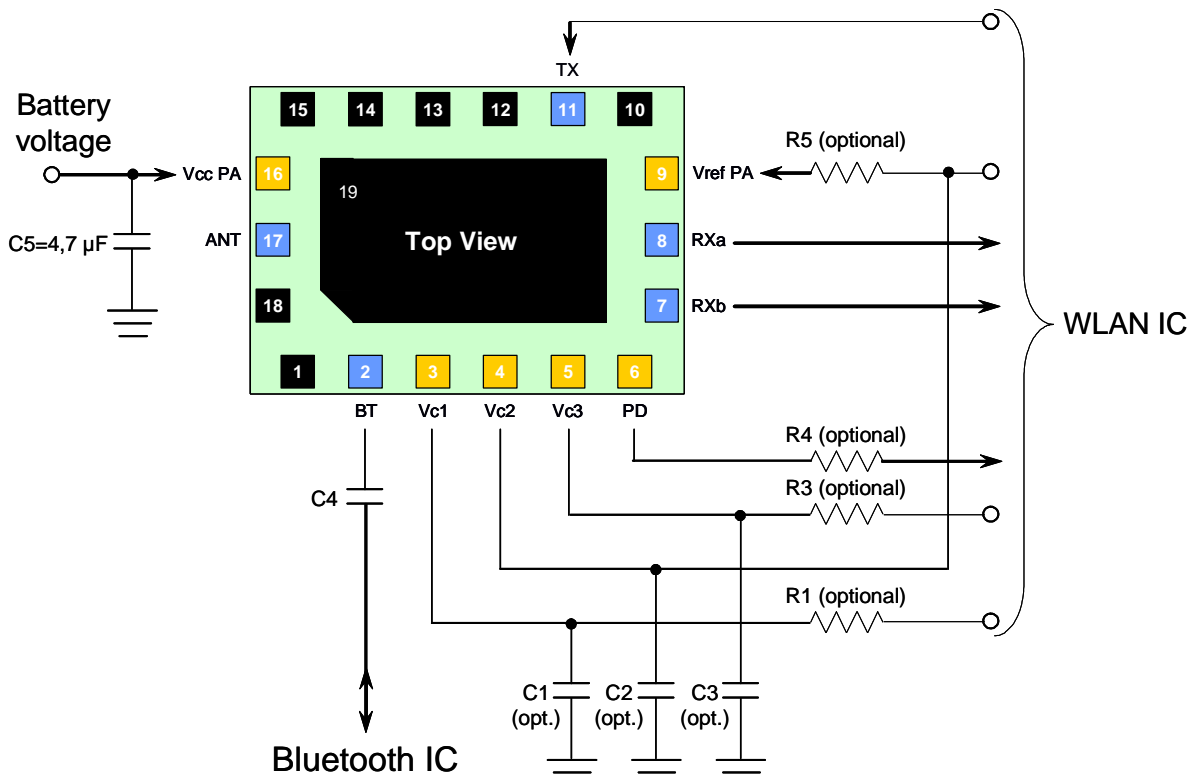
The Vcc pin (PA power supply) can be operated from an unregulated battery voltage. The PA reference voltage pin (Vref) needs a stabilized voltage provided either from an external LDO voltage regulator or directly taken from the power management IC of the WLAN chipset. Usually an additional series resistor (R5) between the D6101 FEM and the voltage regulator is required to set the correct voltage level on the Vref pin. If the available regulated voltage is in the range of $2.8\pm 0.1\text{V}$, the recommended R5 value is 51..68 Ohm. The R5 value can be reduced for better linearity or increased for better efficiency.

The switch control lines may need additional external RC elements (R1..R3, C1..C3) acting as low-pass filters to shape the switching transients coming from the WLAN IC (depending on the switching characteristics, these R,C may be not required).

The power detect signal filtering is integrated inside the FEM (10 kOhm, 5 pF, IF bandwidth = 20 MHz). An additional series resistor (R4) might be applied to set the right detector voltage level for a specific WLAN chipset.

Alternative application circuit

Setting the switch in the wrong state (RX or BT) during the TX mode (PA turned on, Vref and Vcc voltages applied) may damage the FEM if the output power is high (>+17 dBm). This happens due to a very strong reflected signal from the turned off switch, which can damage the power amplifier circuitry. In case it can not be guaranteed that this forbidden control pin combination does not happen during the system operation or calibration the following modified application circuit has to be used:



Preliminary Data

TX control pin of the switch (Vc2) should be connected with the line used to turn the PA on and off. In this case, the switch TX control will be always "high" when the PA is on. This significantly reduces the level of the signal reflected to the PA output and guarantees that the PAs are not damaged.

For further information please contact your local EPCOS sales office or visit our webpage at www.epcos.com .

Published by EPCOS AG
Surface Acoustic Wave Components Division
P.O. Box 80 17 09, 81617 Munich, GERMANY

© EPCOS AG 2005. Reproduction, publication and dissemination of this brochure and the information contained therein without EPCOS' prior express consent is prohibited.

Purchase orders are subject to the General Conditions for the Supply of Products and Services of the Electrical and Electronics Industry recommended by the ZVEI (German Electrical and Electronic Manufacturers' Association), unless otherwise agreed.

This brochure replaces the previous edition.

For questions on technology, prices and delivery please contact the Sales Offices of EPCOS AG or the international Representatives.

Due to technical requirements components may contain dangerous substances. For information on the type in question please also contact one of our Sales Offices.

Preliminary Data

The following applies to all products named in this publication:

1. Some parts of this publication contain **statements about the suitability of our products for certain areas of application**. These statements are based on our knowledge of typical requirements that are often placed on our products in the areas of application concerned. We nevertheless expressly point out **that such statements cannot be regarded as binding statements about the suitability of our products for a particular customer application**. As a rule, EPCOS is either unfamiliar with individual customer applications or less familiar with them than the customers themselves. For these reasons, it is always ultimately incumbent on the customer to check and decide whether an EPCOS product with the properties described in the product specification is suitable for use in a particular customer application.
2. We also point out that **in individual cases, a malfunction of passive electronic components or failure before the end of their usual service life cannot be completely ruled out in the current state of the art, even if they are operated as specified**. In customer applications requiring a very high level of operational safety and especially in customer applications in which the malfunction or failure of a passive electronic component could endanger human life or health (e.g. in accident prevention or life-saving systems), it must therefore be ensured by means of suitable design of the customer application or other action taken by the customer (e.g. installation of protective circuitry or redundancy) that no injury or damage is sustained by third parties in the event of malfunction or failure of a passive electronic component.
3. The warnings, cautions and product-specific notes must be observed.
4. In order to satisfy certain technical requirements, **some of the products described in this publication may contain substances subject to restrictions in certain jurisdictions (e.g. because they are classed as "hazardous")**. Useful information on this will be found in our Material Data Sheets on the Internet (www.epcos.com/material). Should you have any more detailed questions, please contact our sales offices.
5. We constantly strive to improve our products. Consequently, **the products described in this publication may change from time to time**. The same is true of the corresponding product specifications. Please check therefore to what extent product descriptions and specifications contained in this publication are still applicable before or when you place an order.
We also **reserve the right to discontinue production and delivery of products**. Consequently, we cannot guarantee that all products named in this publication will always be available.
6. Unless otherwise agreed in individual contracts, **all orders are subject to the current version of the "General Terms of Delivery for Products and Services in the Electrical Industry" published by the German Electrical and Electronics Industry Association (ZVEI)**.
7. The trade names EPCOS, CeraDiode, CSSP, PhaseCap, PhaseMod, SIFI, SIKOREL, SilverCap, SIMID, SIOV, SIP5D, SIP5K, TOPcap, UltraCap, WindCap are **trademarks registered or pending** in Europe and in other countries. Further information will be found on the Internet at www.epcos.com/trademarks.