

REVISIONS			
REV	DESCRIPTION	DATE	APPROVED

**PACKAGE DIMENSIONS (mm)**

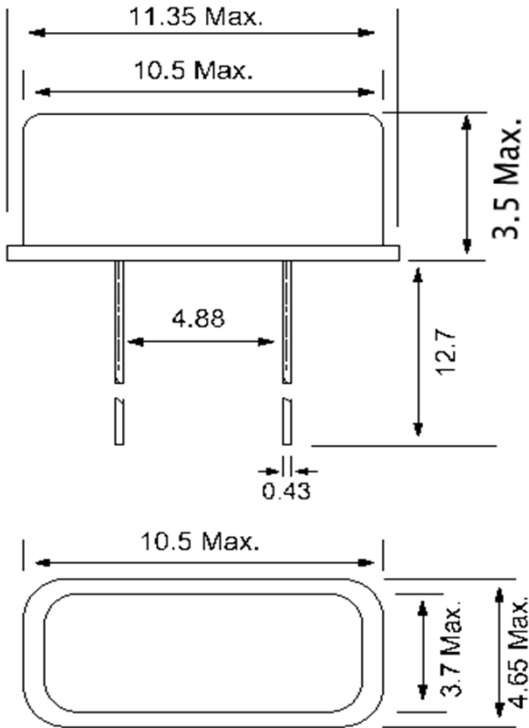


Figure 1) Side and Top Views

**ELECTRICAL SPECIFICATIONS**

Frequency: 4.9152 MHz  
 Frequency Tolerance @ +25°C: ± 30 ppm Max.  
 Frequency Stability -10 to +70°C: ± 50 ppm Max.  
 Crystal Cut: AT Strip  
 Load Capacitance (CL): 20 pF  
 Recommended Drive Level: 500 µW Max.  
 Effective Series Resistance: 150 Ω Max.  
 Shunt Capacitance: 7 pF Max.  
 Mode of Operation: Fundamental  
 Aging: ± 5 ppm/year Max.  
 Storage Temperature: -30 to +85°C  
 Operating Temperature: -10 to +70°C  
 Package Type: HC-49USX



**ECS Part Number: ECS-049-CDX-0787**

ECS INC. INTERNATIONAL 1105 S. Ridgeview Olathe, KS 66062 (913) 782-7787		
TITLE		<b>4.91520 MHz Crystal, HC-49USX Pb Free/RoHS Compliant</b>
SIZE A	DWG NO. ECS-049-CDX-0787	REV
CAGE CODE: 1G8B7		SHEET 1 OF 1

SIGNATURES	DATE
DRN <b>BL</b>	4/14/2006
CHK <b>RC</b>	4/14/2006
APP <b>DK</b>	4/14/2006
<b>Dimensions in mm</b>	