



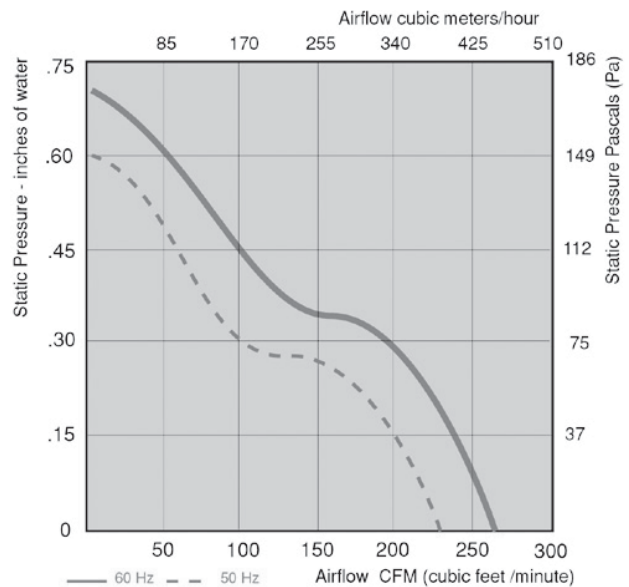
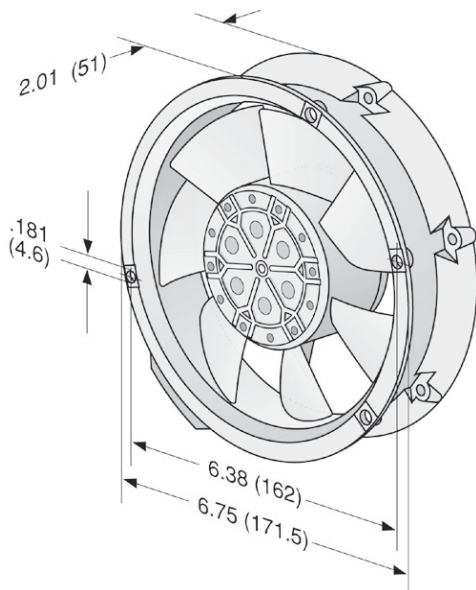
W2E143 Series

Tubeaxial

Ø 172x51mm

- AC fans with external rotor shaded-pole motor.
- Die-cast aluminum housing. Impeller of sheet-steel, directly welded onto rotor.
- Air exhaust over struts. Rotational direction CCW looking at rotor.
- Mounting from either face using two 4.6 mm holes.
- Electrical connection via 2 flat pin terminals 2.8 x 0.5 mm.
- Mounting from either face using 2 4.6 mm (.187") holes.
- UL, CSA, VDE approvals on some models, please contact application engineering.

| Part Number | CFM @ 0 | VAC | Hertz | Power (W) | dBA | Max. Amb. Temp C | Bearing Type | Features | Wgt. (lbs) |
|----------------|---------|-----|-------|-----------|-----|------------------|--------------|-----------|------------|
| W2E143-AA15-01 | 260 | 115 | 50/60 | 26 | 58 | 70 | Ball | Terminals | 2.19 |
| W2E143-AA09-01 | 260 | 230 | 50/60 | 26 | 58 | 70 | Ball | Terminals | 2.19 |
| W2E143-AA09-88 | 260 | 230 | 50/60 | 29 | 60 | 70 | Ball | Terminals | 2.19 |
| W2E143-AB15-01 | 295 | 115 | 50/60 | 29 | 58 | 75 | Ball | Terminals | 2.19 |
| W2E143-AB09-01 | 295 | 230 | 50/60 | 29 | 58 | 75 | Ball | Terminals | 2.19 |



ebmpapst

e-mail: sales@us.ebmpapst.com · TEL: 860-674-1515 · FAX: 860-674-8536

ebm-papst Inc., 100 Hyde Road, Farmington, CT 06034 USA

ebm-papst Inc., 2004 © ebm-papst Inc. reserves the right to change any specifications or data without notice