

# AC centrifugal fan

backward curved, single inlet

## ebm-papst Mulfingen GmbH & Co. KG

Bachmühle 2 · D-74673 Mulfingen

Phone +49 7938 81-0

Fax +49 7938 81-110

info1@de.ebmpapst.com

www.ebmpapst.com

Limited partnership · Headquarters Mulfingen

County court Stuttgart · HRA 590344

General partner Elektrobau Mulfingen GmbH · Headquarters Mulfingen

County court Stuttgart · HRB 590142

## Nominal data

|                               |                   |         |
|-------------------------------|-------------------|---------|
| Type                          | R2E250-AS47-05    |         |
| Motor                         | M2E068-EC         |         |
| Phase                         |                   | 1~      |
| Nominal voltage               | VAC               | 230     |
| Frequency                     | Hz                | 50      |
| Type of data definition       |                   | fa      |
| Valid for approval / standard |                   | -       |
| Speed                         | min <sup>-1</sup> | 2600    |
| Power input                   | W                 | 155     |
| Current draw                  | A                 | 0.70    |
| Motor capacitor               | µF                | 5       |
| Capacitor voltage             | VDB               | 400     |
| Capacitor standard            |                   | P2 (CE) |
| Min. back pressure            | Pa                | 0       |
| Min. ambient temperature      | °C                | -25     |
| Max. ambient temperature      | °C                | 40      |
| Starting current              | A                 | 1.3     |

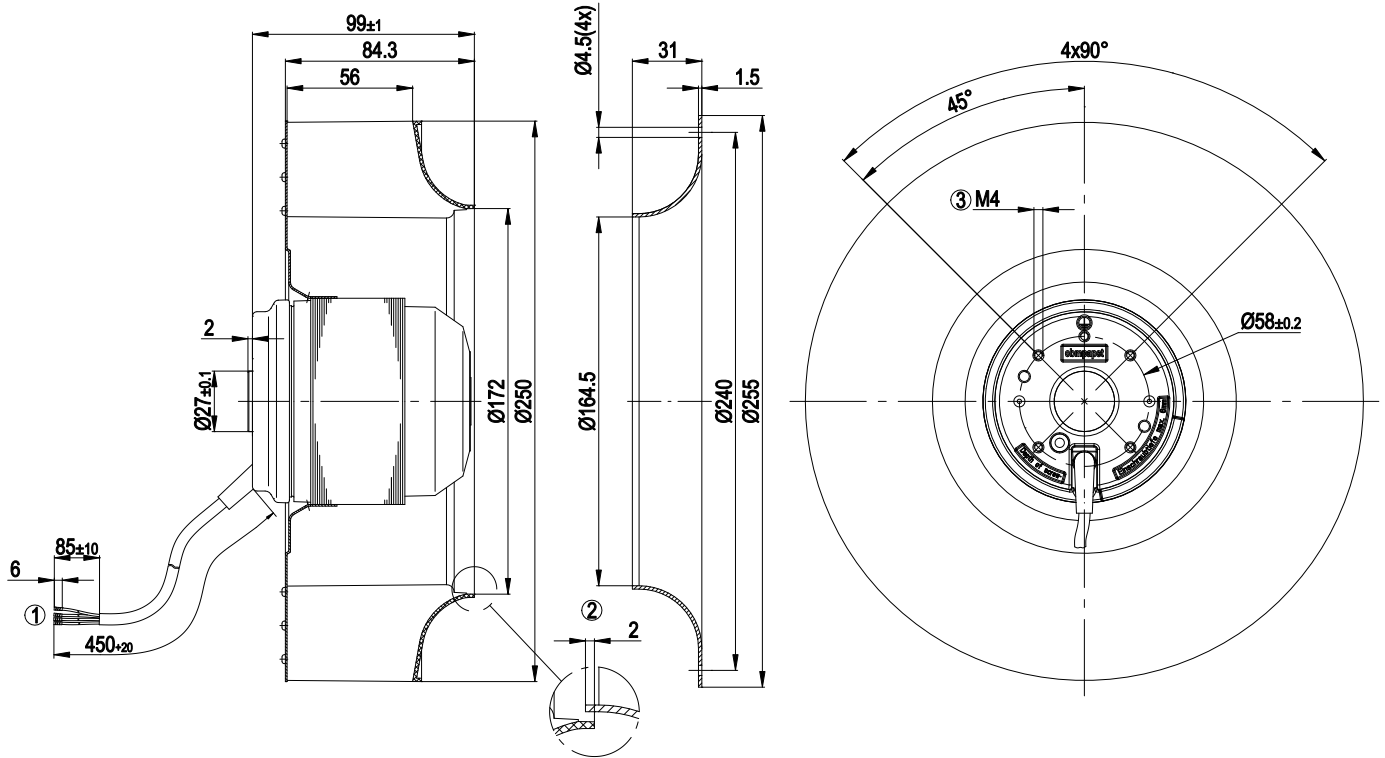
ml = Max. load · me = Max. efficiency · fa = Running at free air · cs = Customer specs · cu = Customer unit  
Subject to alterations



## Technical features

|   |   |
|---|---|
| <b>Mass</b>   | 3 kg  |
| <b>Size</b>   | 250 mm  |
| <b>Surface of rotor</b>   | Coated in black   |
| <b>Material of impeller</b>   | PA plastic, fibreglass-reinforced                               |
| <b>Number of blades</b>   | 11  |
| <b>Direction of rotation</b>  | Clockwise, seen on rotor  |
| <b>Type of protection</b>   | IP 44; Depending on installation and position as per EN 60034-5 |
| <b>Insulation class</b>   | "B"   |
| <b>Humidity class</b>   | F1-2  |
| <b>Max. permissible ambient motor temp. (transp./ storage)</b>            | + 80 °C   |
| <b>Min. permissible ambient motor temp. (transp./storage)</b>             | - 40 °C   |
| <b>Mounting position</b>  | Shaft horizontal or rotor on bottom; rotor on top on request    |
| <b>Condensate discharge holes</b>   | Rotor-side  |
| <b>Operation mode</b>   | S1  |
| <b>Motor bearing</b>  | Ball bearing  |
| <b>Touch current acc. IEC 60990 (measuring network Fig. 4, TN system)</b> | < 0.75 mA   |
| <b>Motor protection</b>   | Thermal overload protector (TOP) wired internally               |
| <b>Cable exit</b>   | Variable  |
| <b>Protection class</b>   | I (if protective earth is connected by customer)                |
| <b>Approval</b>   | CCC; GOST   |

## Product drawing



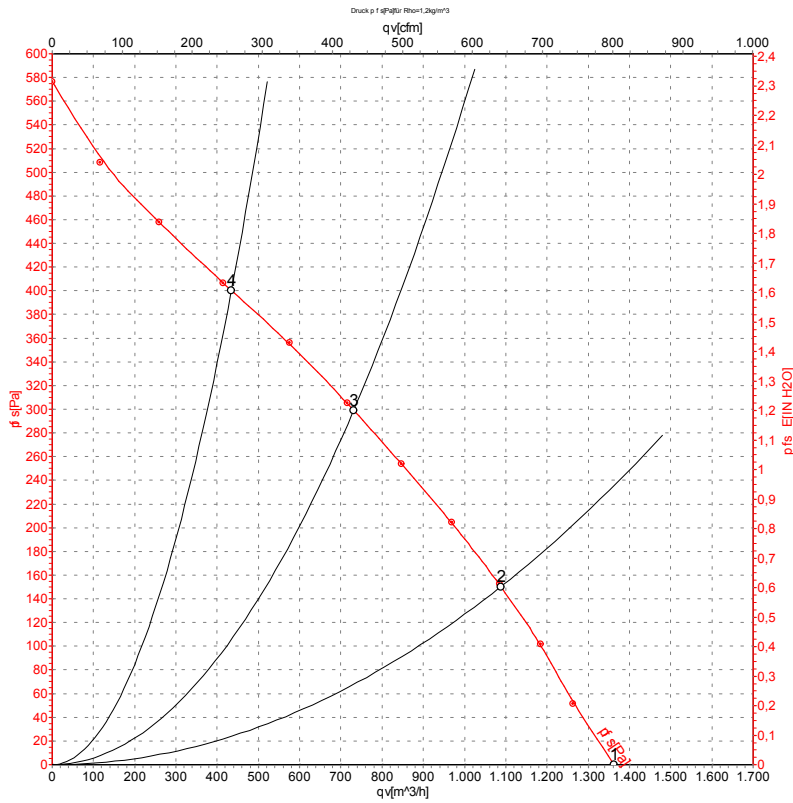
|   |   |
|---|---|
| 1 | Connection line PVC 4Gx0.5mm <sup>2</sup> . 4x brass lead tips crimped                    |
| 2 | Accessory part: Inlet nozzle 96359-2-4013, not included in the standard scope of delivery |
| 3 | Depth of screw max. 5 mm  |

## Connection screen



|    |              |   |       |    |       |
|----|--------------|---|-------|----|-------|
| U1 | blue         | Z | brown | U2 | black |
| PE | green/yellow |   |       |    |       |

## Charts: Air flow 50 Hz



Measurement: LU-30851

Air performance measured as per ISO 5801 Installation category A. For detailed information on the measuring set-up, please contact ebm-papst. Suction-side noise levels: L<sub>wA</sub> measured as per ISO 13347 / L<sub>pA</sub> measured with 1m distance to fan axis. The values given are valid under the measuring conditions mentioned above and may vary according to the actual installation situation. With any deviation from the standard set-up, the specific values have to be checked and reviewed with the unit installed.

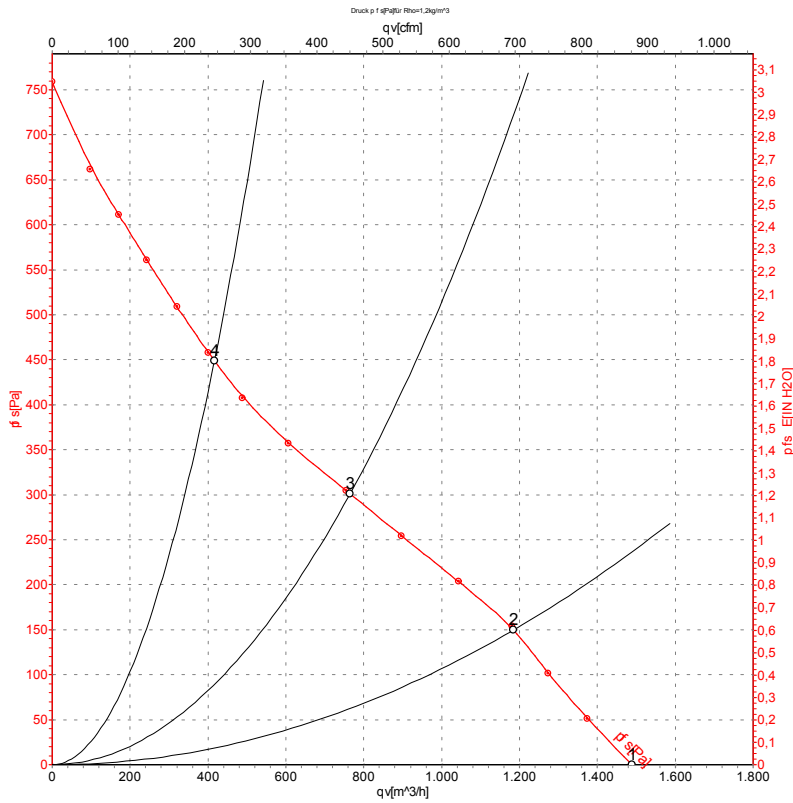
## Measured values

|   | U   | f  | n                 | P <sub>e</sub> | I    | qv                | P <sub>fs</sub> |
|---|-----|----|-------------------|----------------|------|-------------------|-----------------|
|   | V   | Hz | min <sup>-1</sup> | W              | A    | m <sup>3</sup> /h | Pa              |
| 1 | 230 | 50 | 2600              | 155            | 0.70 | 1365              | 0               |
| 2 | 230 | 50 | 2460              | 172            | 0.75 | 1090              | 150             |
| 3 | 230 | 50 | 2370              | 189            | 0.82 | 730               | 300             |
| 4 | 230 | 50 | 2430              | 177            | 0.77 | 435               | 400             |

U = Supply voltage · f = Frequency · n = Speed · P<sub>e</sub> = Power input · I = Current draw · qv = Air flow · p<sub>fs</sub> = Pressure increase



## Charts: Air flow 60 Hz



Measurement: LU-30852

Air performance measured as per ISO 5801 Installation category A. For detailed information on the measuring set-up, please contact ebm-papst. Suction-side noise levels: L<sub>wA</sub> measured as per ISO 13347 / L<sub>pA</sub> measured with 1m distance to fan axis. The values given are valid under the measuring conditions mentioned above and may vary according to the actual installation situation. With any deviation from the standard set-up, the specific values have to be checked and reviewed with the unit installed.

## Measured values

|   | U   | f  | n                 | P <sub>e</sub> | I    | qv                | P <sub>fs</sub> |
|---|-----|----|-------------------|----------------|------|-------------------|-----------------|
|   | V   | Hz | min <sup>-1</sup> | W              | A    | m <sup>3</sup> /h | Pa              |
| 1 | 230 | 60 | 2795              | 215            | 0.95 | 1490              | 0               |
| 2 | 230 | 60 | 2610              | 228            | 0.99 | 1185              | 150             |
| 3 | 230 | 60 | 2415              | 240            | 1.04 | 765               | 300             |
| 4 | 230 | 60 | 2560              | 231            | 1.00 | 415               | 450             |

U = Supply voltage · f = Frequency · n = Speed · P<sub>e</sub> = Power input · I = Current draw · qv = Air flow · P<sub>fs</sub> = Pressure increase

