

## QLK45AC Series Crossflow Blower

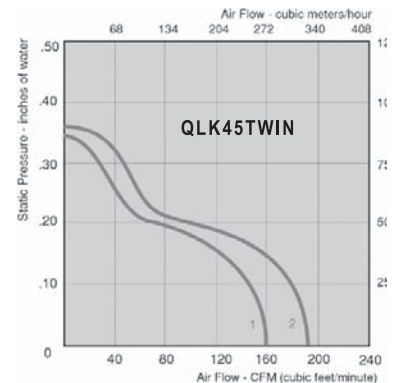
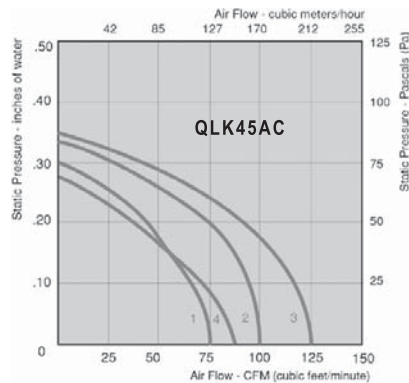
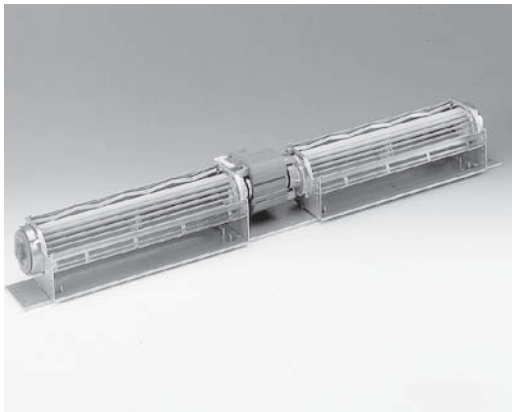
180... 300mm x Ø 45mm

- AC blower with shaded pole motor with sleeve bearings and terminals. Max ambient temperature of 60 C.
- High volume and performance already at a low air velocity, therefore low noise level.
- Fan propeller of aluminum and air duct housing of sheet steel.
- Rotational direction CW looking at rotor.
- UL, CSA, VDE approvals on some models. Please contact application engineering

Part Number	Model Number	Curve	CFM @ 0	VAC	Hertz	Power (W)	dBA	Motor Position	Bobbin Position	Insul. Class
55442.40491	QLK451800A642518L38KN	1	75	115	60	29	50	Right	Front	B
55442.41010	QLK451800A1562518LH26LU	1	75	115	60	29	50	Right	Up	H
55442.45500	QLK450018A1412518LH86LU	1	75	115	60	29	50	Left	Up	H
55442.55062	QLK452400A132524L35KX	2	100	115	60	39	50	Right	Front	B
55442.60082	QLK450024A142524L34KX	2	100	115	60	39	50	Left	Front	B
55442.70170	QLK453000A313030LH115AEP	3	125	115	60	40	53	Right	Up	H
55442.75051	QLK450030A103030L26ZT	3	125	115	60	40	53	Left	Front	B
55442.40765	QLK451800A1172518L72PW	1	75	220/240	50/60	28	50	Right	Front	B
55442.75160	QLK450030A322524L55PY	4	83	230	50/60	24	50	Left	Up	B

## QLK45TWIN Series

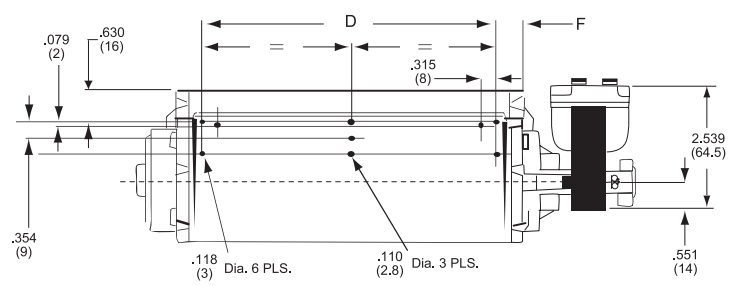
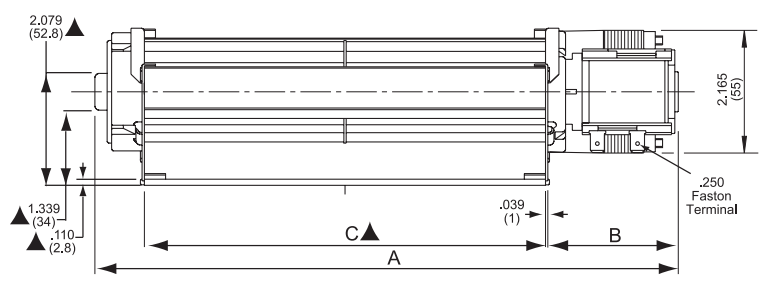
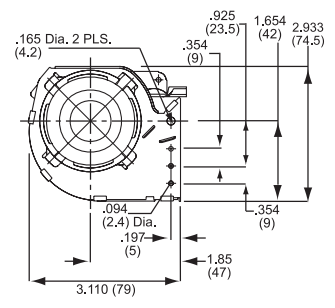
55442.50190	QLK451818A193038L62YY	1	160	115	60	50	50	Middle	Front	B
55442.65051	QLK452424A53045L45HV	2	190	115	60	63	55	Middle	Back	B



# QLK45AC Series Mechanical Data Crossflow Blower

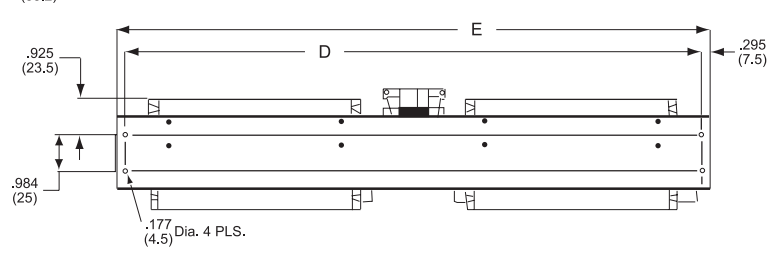
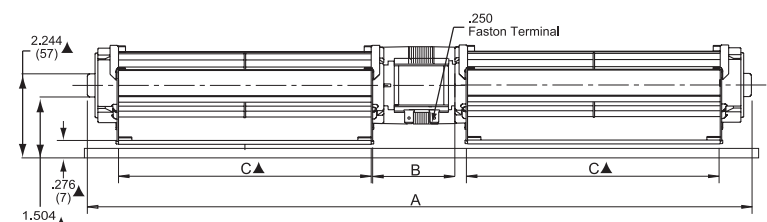
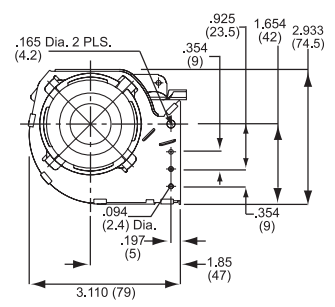
180... 300mm x Ø 45mm

Part Number	Motor Position	A		B		C		D		E		F	
		inch	mm	inch	mm	inch	mm	inch	mm	inch	mm	inch	mm
QLK45/0018-A1412518LH86LU QLK45/1800-A62518L38KN QLK45/1800-A11562518LH26LU QLK45/1800-A1172518172PW	Left Right Right Right	10.43	265	2.36	60	7.09	180	6.06	154	N/A	N/A	0.55	14
QLK45/0024-A142524L34KX QLK45/2400-A132524L35KX	Left Right	13.03	331	2.60	60	9.45	240	8.35	212	N/A	N/A	0.59	15
QLK45/0030-A103030L26ZT QLK45/0030-A322524L55PY QLK45/3000-A313030LH115AEP	Left Left Right	15.83	402	2.99	76	11.81	300	10.71	272	N/A	N/A	0.59	15
QLK45/1818-3038L	Middle	19.69	500	3.50	89	2x7.09	2x180	19.80	503	20.39	518	N/A	N/A
QLK45/2424-3045L	Middle	24.72	628	2.82	97	2x9.45	2x240	24.69	627	25.28	642	N/A	N/A



Dimensions: inches (mm)  
▲ Dimension denotes air outlet

## QLK45TWIN Series



All data subject to change without notice



e-mail: [sales@us.ebmpapst.com](mailto:sales@us.ebmpapst.com) · TEL: 860-674-1515 · FAX: 860-674-8536  
 ebm-papst Inc., 100 Hyde Road, Farmington, CT 06034 USA  
 ebm-papst Inc., 2004 © ebm-papst Inc. reserves the right to change any specifications or data without notice