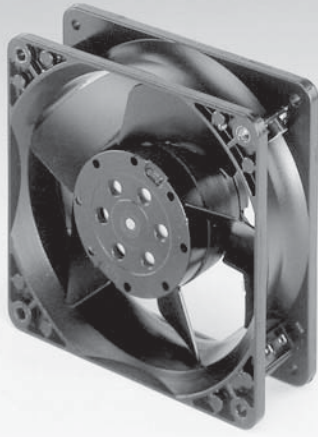


4000VX Series

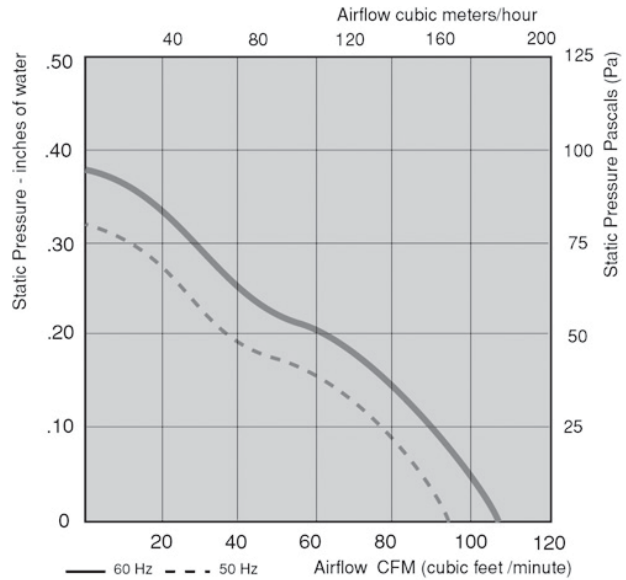
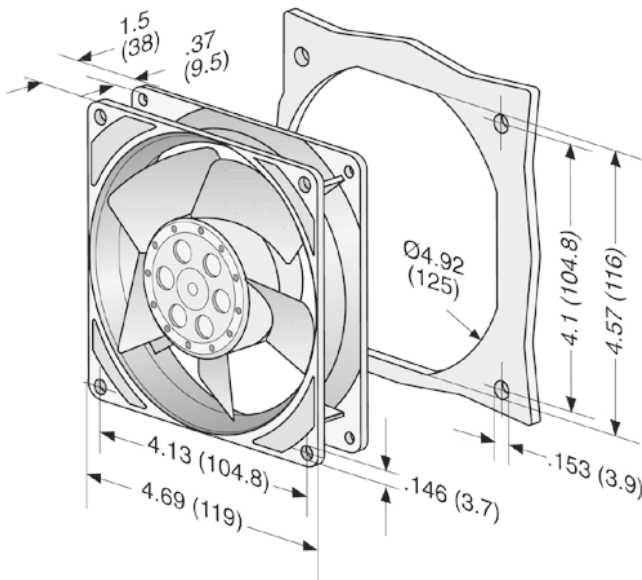
Tubeaxial

119x119x38mm



- AC fans with external rotor shaded-pole motor. Impedance protected against overloading.
- Metal fan housing and impeller.
- Air exhaust over struts. Rotational direction CW looking at rotor.
- Mounting from either face using four 3.7 mm holes.
- Electrical connection via 2 flat pins 3.0 x 0.5 mm.
- Fan housing with ground lug for screw M4.
- Mounting: Either face using four 3.7mm (.146") holes..
- UL, CSA, VDE approvals on some models, please contact application engineering.

| Part Number | CFM @ 0 | VAC | Hertz | Power (W) | dBA | Max Amb. Temp. C | Bearing Type | Features | Wgt. (lbs) |
|-------------|---------|-----|-------|-----------|-----|------------------|--------------|-----------|------------|
| 4600VX-820 | 106 | 115 | 50/60 | 18 | 45 | 60 | Sintec | Terminals | 1.13 |
| 4606VX | 106 | 115 | 50/60 | 18 | 45 | 90 | Ball | Terminals | 1.13 |
| 4650VX | 106 | 230 | 50/60 | 18 | 45 | 60 | Sintec | Terminals | 1.13 |
| 4656VX-817 | 106 | 230 | 50/60 | 18 | 45 | 90 | Ball | Terminals | 1.13 |



ebmpapst

e-mail: sales@us.ebmpapst.com · TEL: 860-674-1515 · FAX: 860-674-8536

ebm-papst Inc., 100 Hyde Road, Farmington, CT 06034 USA

ebm-papst Inc., 2004 © ebm-papst Inc. reserves the right to change any specifications or data without notice