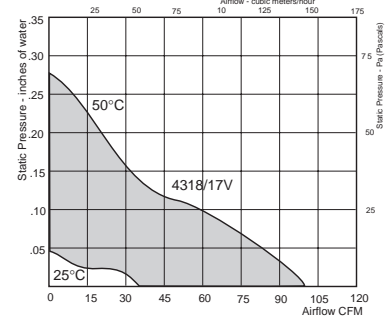
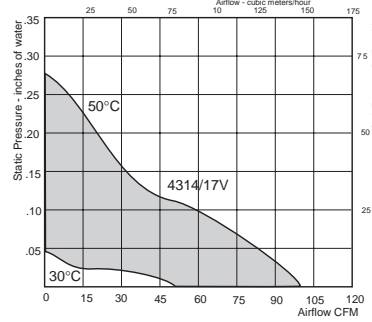
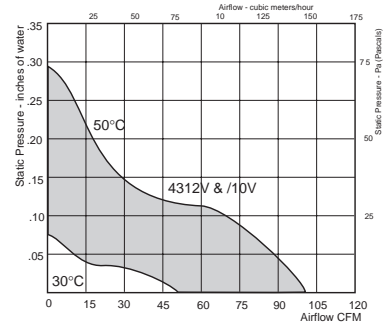
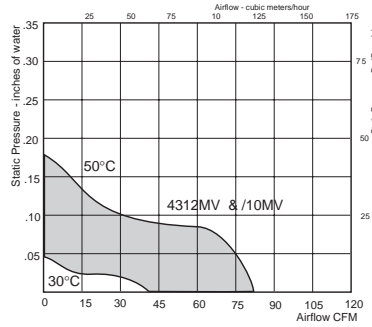
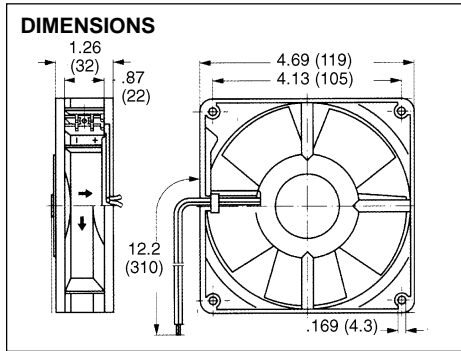
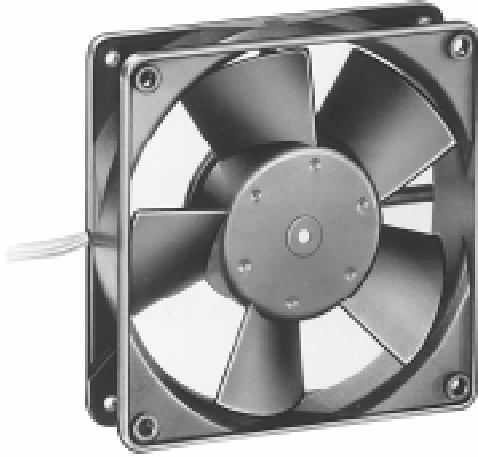


119 x 32mm (4.7" X 1.3") DC VARIOFAN

4300V Series



4.69" X 4.69" X 1.26" Brushless DC, Plastic, Air Exhaust – Over Struts

PART NUMBER	Type of Bearing	DC Volts	Voltage Range	Temp. °C	Temp. Watts	CFM @ 0"	Temp. dBA	Temp. Max °C	Wgt. (oz)	Features	Approvals*		
											UL	CSA	VDE
4312MV	Ball	12	8 - 13	30	1.4	41	22	65	8	12.2" AWG 22 Leads	✓	✓	✓
				50	3.4	82	39						
4312/10MV	Ball	12	8 - 13	30	1.4	41	22	65	8	Leads, Alarm	✓	✓	✓
				50	3.4	82	39						
4312V	Ball	12	8 - 13	30	1.8	50	29	65	8	12.2" AWG 22 Leads	✓	✓	✓
				50	5.4	100	45						
4312/10V	Ball	12	8 - 13	30	1.8	50	29	65	8	Leads, Alarm	✓	✓	✓
				50	5.4	100	45						
4314/17V	Ball	24	21 - 27	30	3.0	50	29	65	8	Leads, Alarm	✓	✓	✓
				50	5.4	100	45						
4318/17V	Ball	48	40 - 53	25	2.6	35	21	65	8	Leads, Alarm	✓	✓	✓
				50	5.4	100	45						

Temperature Sensor must be ordered separately: LZ 370 * UL yellow card E38324, CSA file 27697, VDE file 3072

CONSTRUCTION MOUNTING & CONNECTION	Mounting:	From either face using four .169" (4.3mm) holes	Connection:	Three lead wires color coded, red (+), blue (-) / black (-) violet (temp sensor)
	Weight:	8 ounces (220g)	Options:	Hall Effect monitor; Alarm
	Housing:	Plastic with plastic impeller		