

# Bussmann series Safeclip BS fuse holders



## Product description

Eaton's Bussmann series range of Safeclip fuse holders is specifically designed for easy tool-free fuse installation.

## Standard features

- Industry standard fuse holders address many application needs
- Fully shrouded for greater safety
- Most comprehensive range available to meet the majority of applications
- High resistance body material helps ensure high dielectric strength
- Extremely reliable contact system for superior electrical conductivity

**Catalogue symbol:**

- SC(amp)H: Front connected
- SC(amp)P: Back stud connected
- SC(amp)BH: Busbar/Front connected
- SC(amp)PH-D: Front/Back stud connected

**Agency information:**

- BS88
- IEC 60269-1

**Technical data:**

- Rated voltage: 550 V a.c.
- Rated current: 20 to 125 A
- Terminal conductor range: 16 to 70 mm<sup>2</sup>
- Maximum ambient operating temperature: 40°C

**Packaging:**

- 20 to 63 A: 10 per pack
- 100 A: 5 per pack
- 125 A: 1 per pack

**Table 1. Part numbers details**

Fuse holder description	Colour	20 A	32 A	63 A	100 A	125 A
Front connected	Black	SC20H	SC32H-D	SC63H-D	SC100H	SC125H-D
	White	SC20HWH	SC32H-DWH	SC63H-DWH		
	Green	SC20HGN	SC32H-DGN			
Back stud connected	Black	SC20P	SC32P	SC63P		
	White	SC20PWH	SC32PWH			
	Green	SC20PGN	SC32PGN			
Busbar/Front connected	Black	SC20BH	SC32BH	SC63BH		
Front/Back stud connected	Black		SC32PH-D			
	White		SC32PH-DWH			

**Table 2. Technical data**

Rated current (Amps)	Rated voltage (V a.c.)	Agency markings	Minimum conductor size	Maximum conductor size	Compatible fuse links	Packaging
20	550	BS88 and IEC60269	0.5 mm <sup>2</sup>	16 mm <sup>2</sup>	SSD	10
32			0.5 mm <sup>2</sup>	16 mm <sup>2</sup>	NSD	10
63			2.5 mm <sup>2</sup>	25 mm <sup>2</sup>	ESD	10
100			2.5 mm <sup>2</sup>	50 mm <sup>2</sup>	OSD	5
125			2.5 mm <sup>2</sup>	70 mm <sup>2</sup>	XS	1

**Weights:**

- SC20H: 85 grams
- SC20P: 113 grams
  
- SC32BH: 95 grams
- SC32H-D: 97 grams
- SC32P: 125 grams
  
- SC63BH: 165 grams
- SC63HD: 160 grams
  
- SC100H: 330 grams
  
- SC125HD: 365 grams

**Table 3. Accessories**

Catalogue numbers	Description	Pack quantity	Compatible fuse links	Compatible fuse holders
SSC-LINK	Copper links	10		SC20
NSC-LINK		10		SC32
ESC-LINK		10		SC63
OSC-LINK		10		SC100
XSC-LINK		10		SC125
SC32LOCK	Padlockable inserts	10		SC32
SC63LOCK		10		SC63
SCA63CAR	Adaptor carrier	10	NS	SC63
SCSB20-32	Sealing band	10		SC20 and SC32
DIN-20-32 <sup>1</sup>	DIN-Rail adaptor	10		SC20 and RS20

<sup>1</sup> SC32H-D, SC63H-D and SC125H-D have an integral DIN-Rail feature as standard

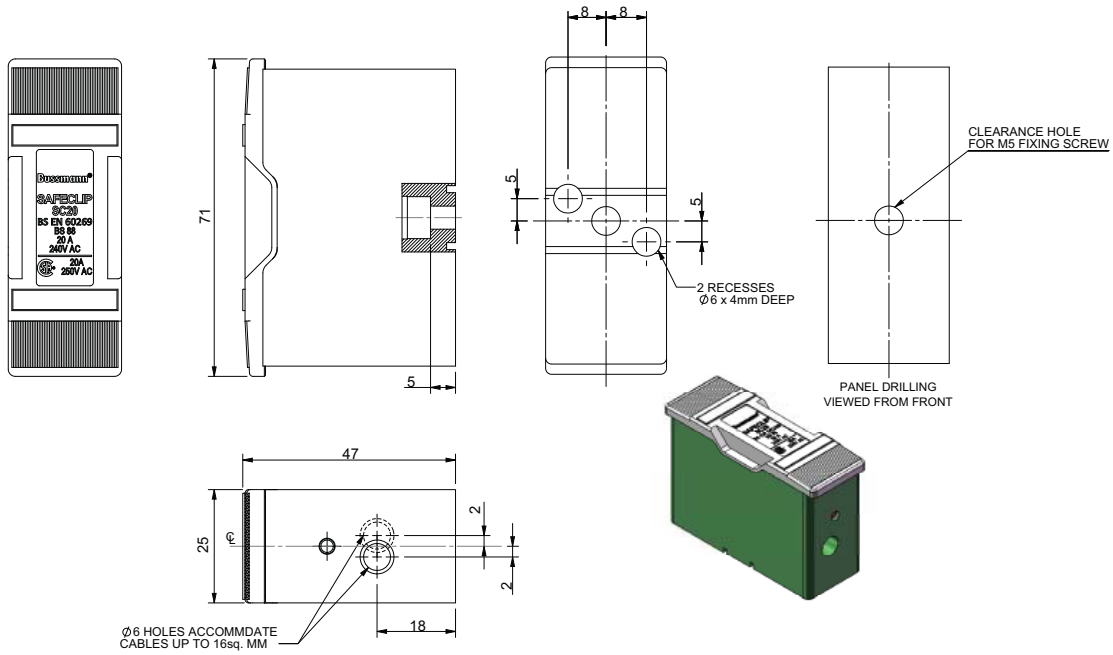


**SSC-LINK**

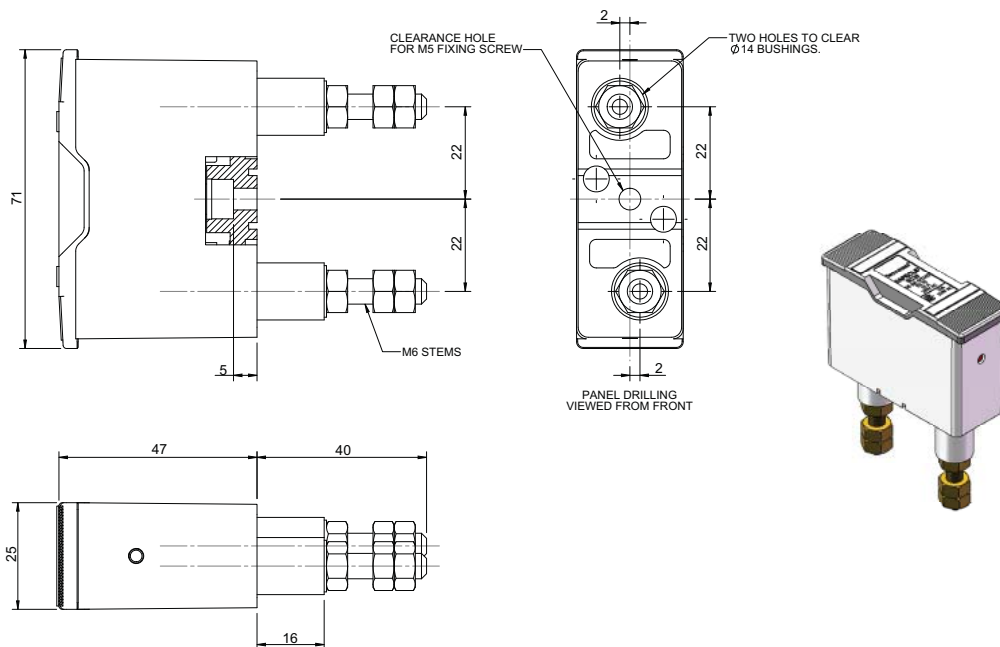
**NSC-LINK**

**DIN-20-32**

Dimensions - mm

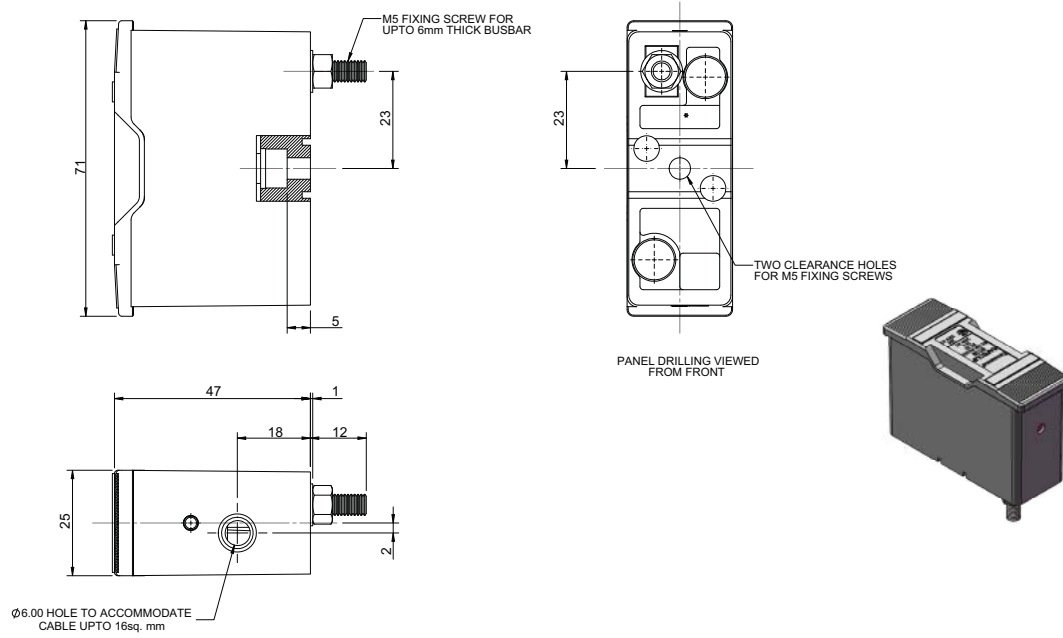


SC20H 20 A, Front connected

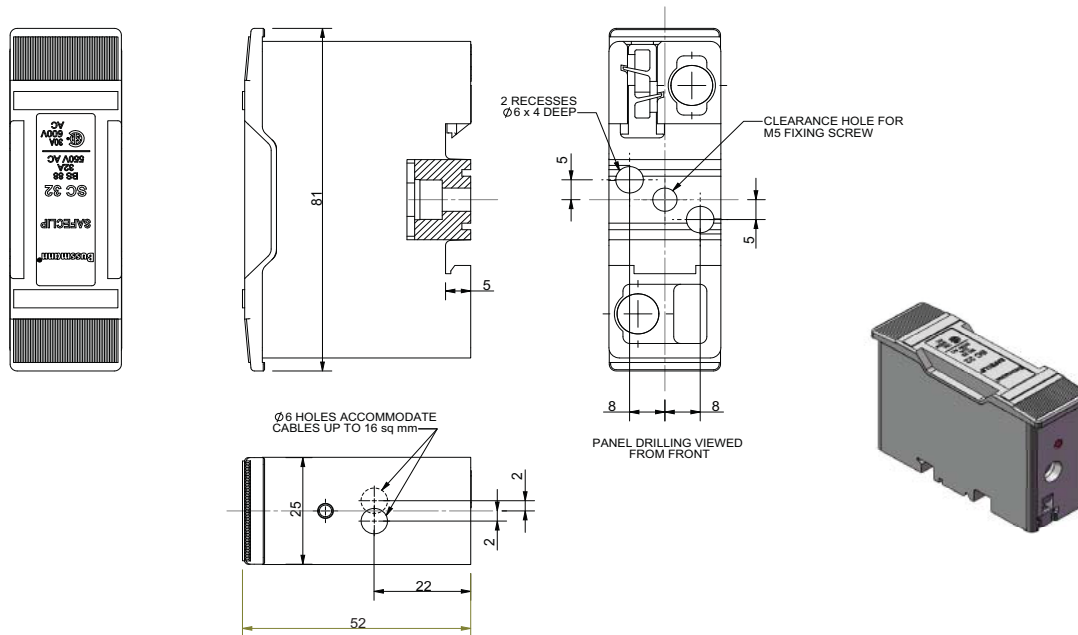


SC20P 20 A, Back stud connected

Dimensions - mm

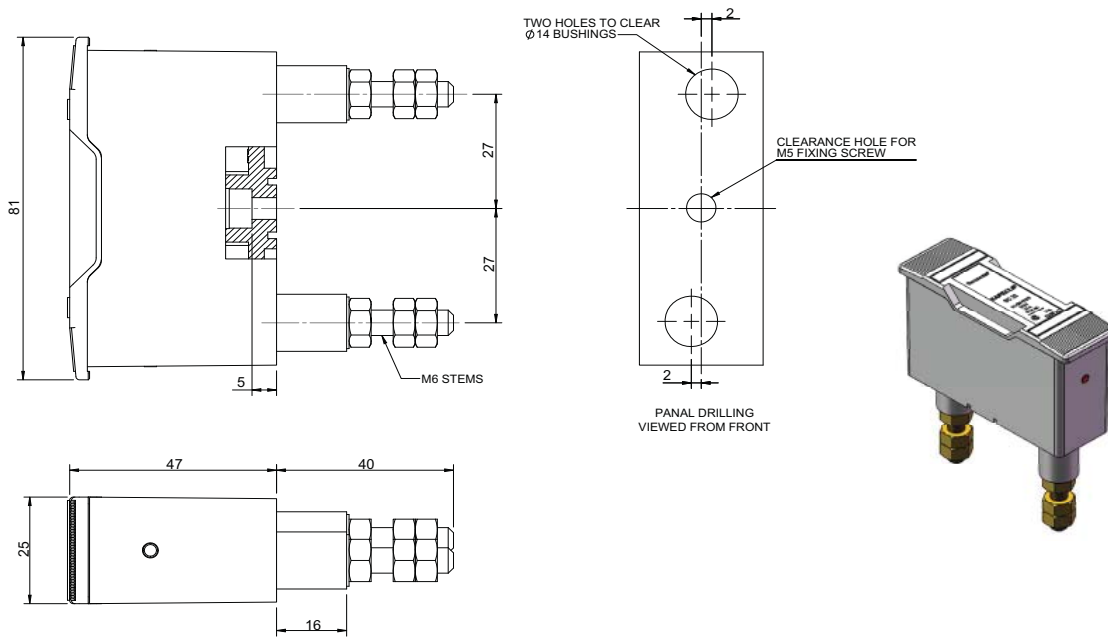


SC20BH 20 A, Busbar/front connected

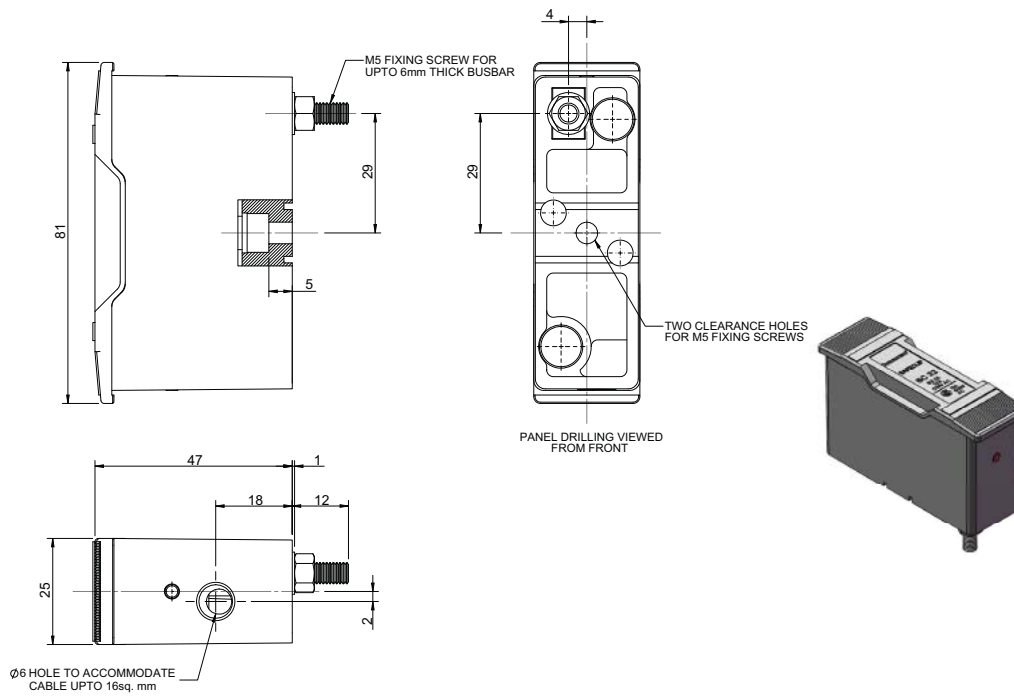


SC32H-D 32 A, Front connected

Dimensions - mm

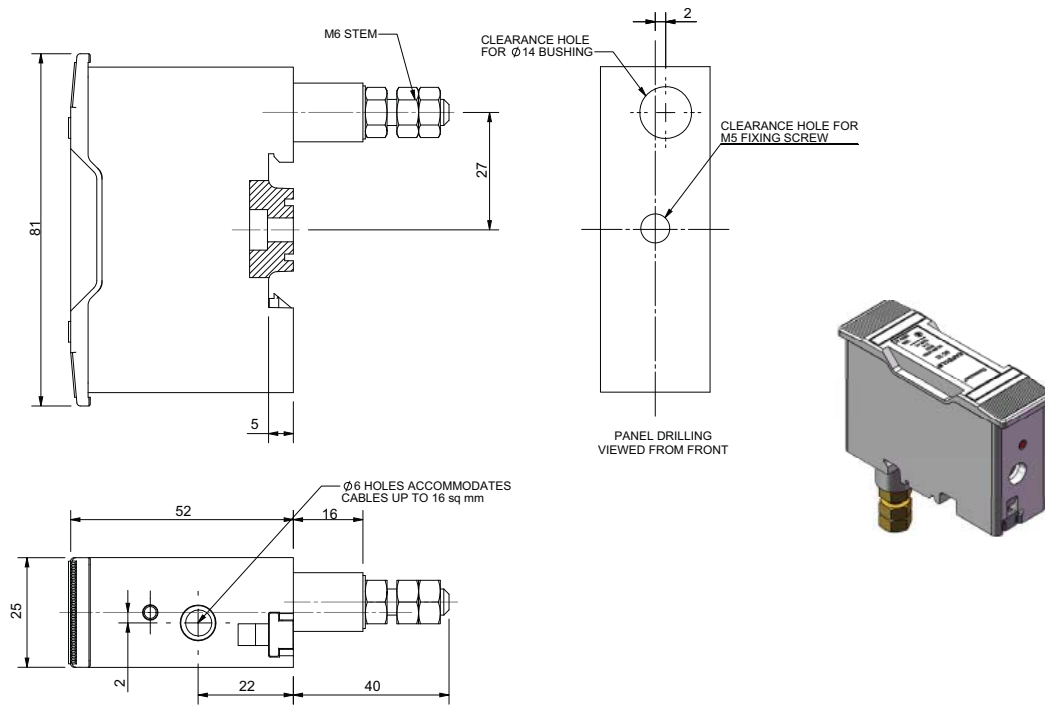


SC32P 32 A, Back stud connected

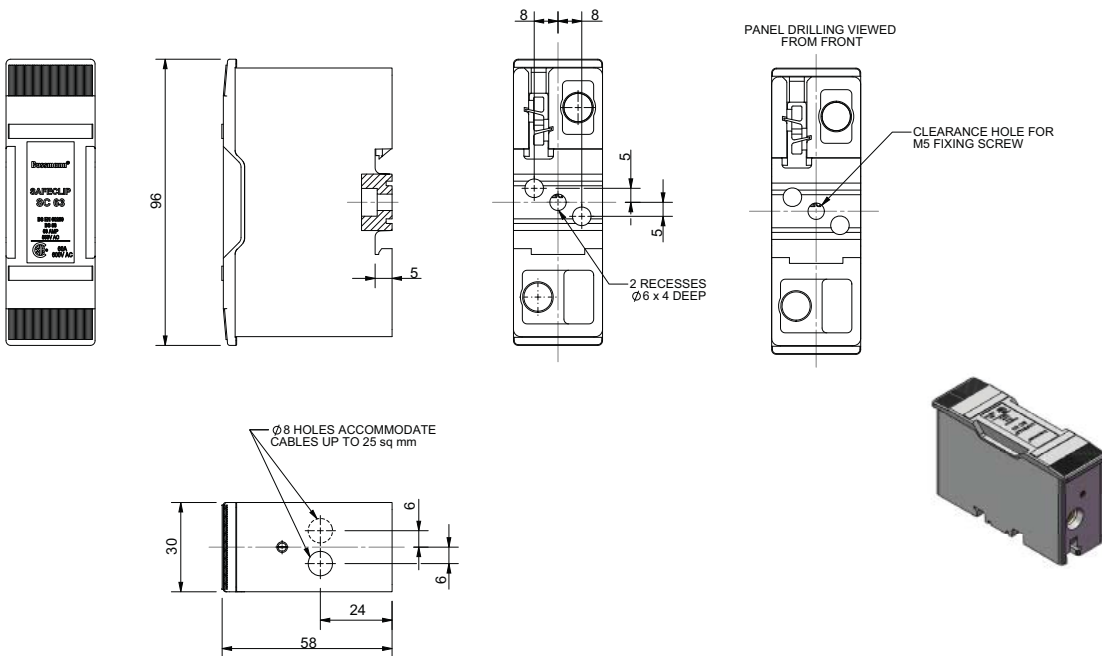


SC32BH 32 A, Busbar/Front connected

Dimensions - mm

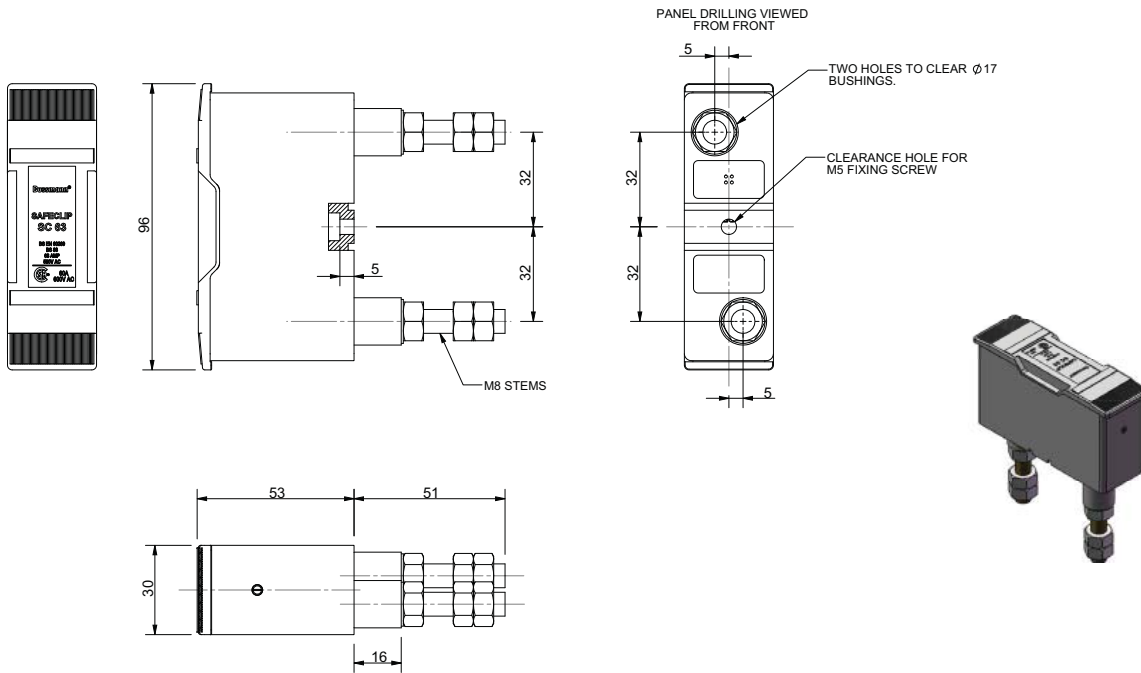


SC32PH-D 32 A, Front/Back stud connected

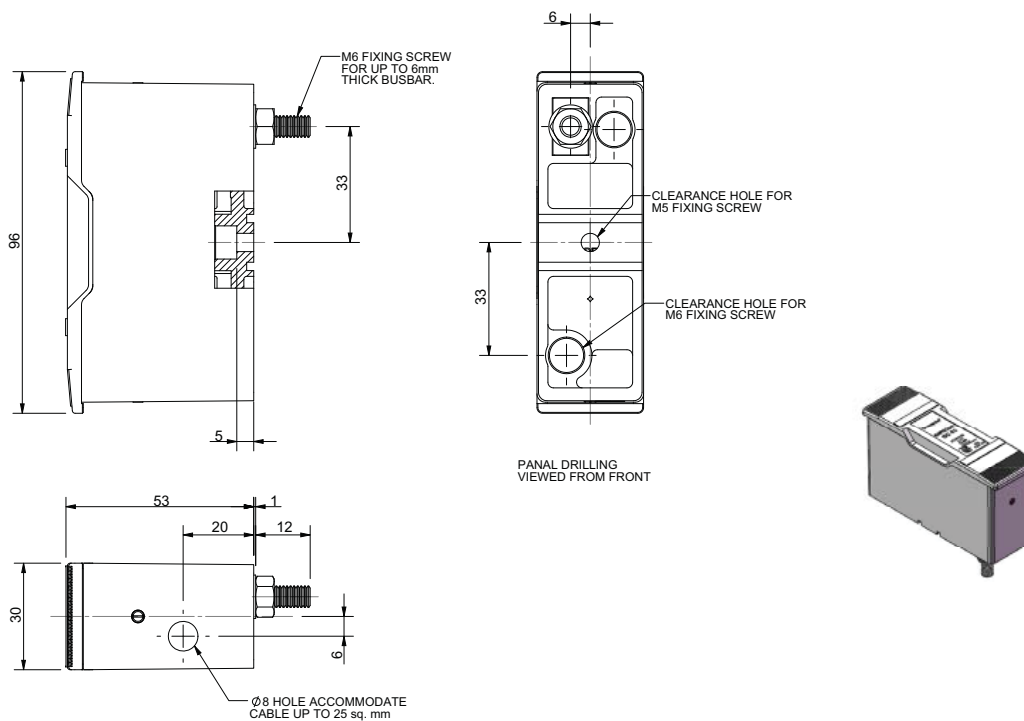


SC63H-D 63 A, Front connected

Dimensions - mm



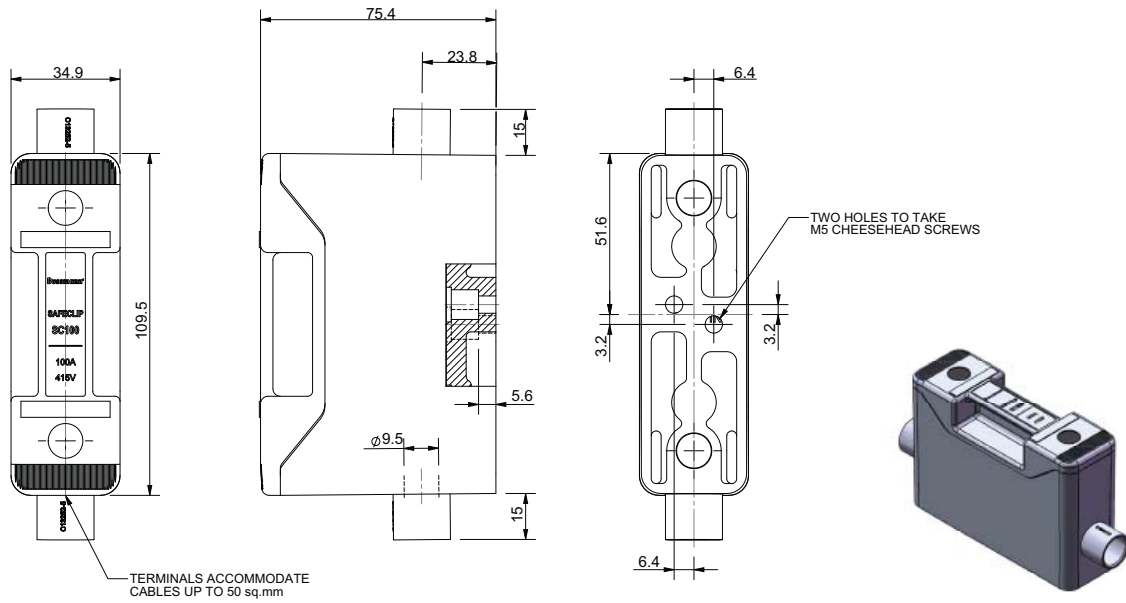
SC63P 63 A, Back stud connected



SC63BH 63 A Busbar/front connected

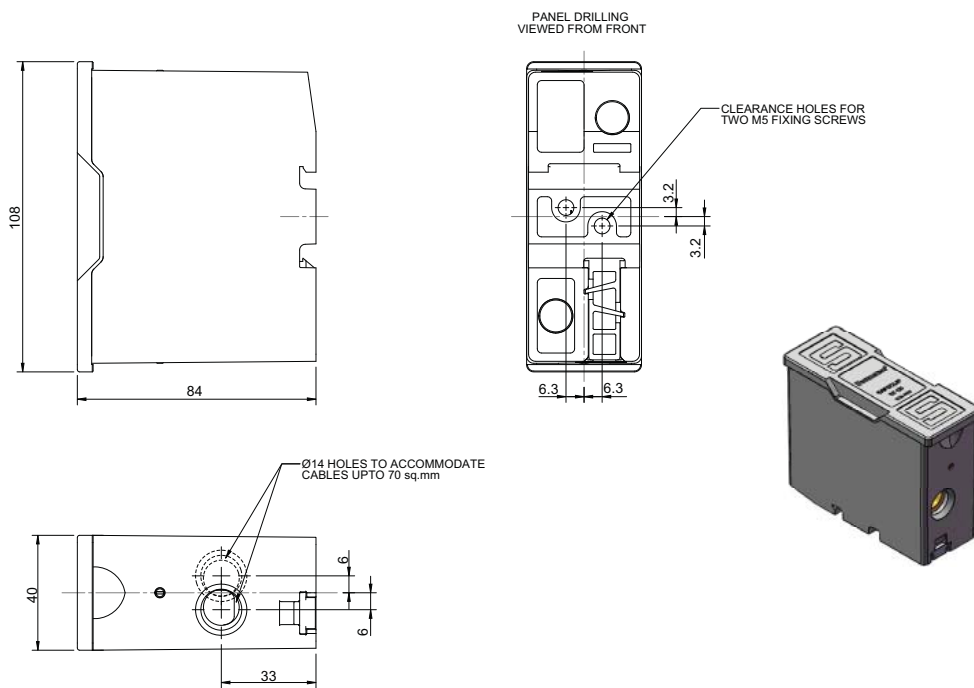


Dimensions - mm



SC100H 100 A, Front connected

**Dimensions - mm**



**SC125H-D 125 A, Front connected**

Changes to the products, to the information contained in this document, and to prices are reserved; so are errors and omissions. Only order confirmations and technical documentation by Eaton is binding. Photos and pictures also do not warrant a specific layout or functionality. Their use in whatever form is subject to prior approval by Eaton. The same applies to Trademarks (especially Eaton, Moeller, and Cutler-Hammer). The Terms and Conditions of Eaton apply, as referenced on Eaton Internet pages and Eaton order confirmations.

**Eaton**  
EMEA Headquarters  
Route de la Longeraie 7  
1110 Morges, Switzerland  
Eaton.eu

© 2015 Eaton  
All Rights Reserved  
PDF only  
Publication No. 10137  
June 2015