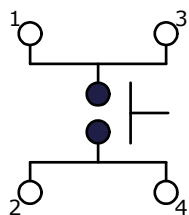
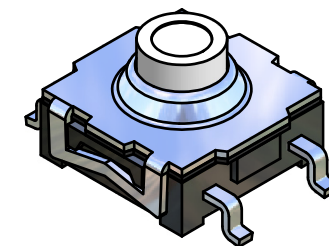


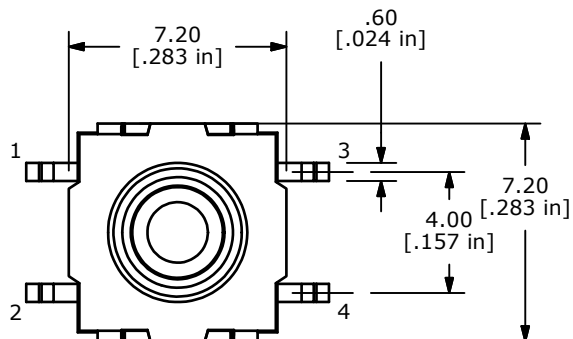
PCB LAYOUT



CIRCUIT: SPST

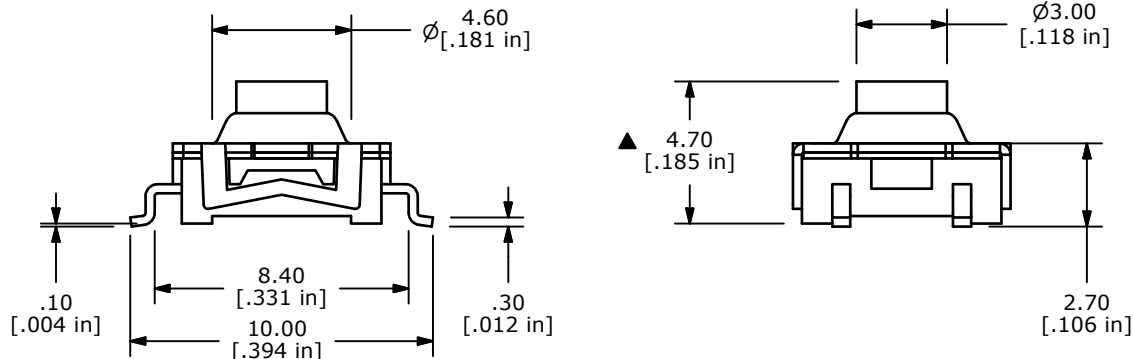


ISOMETRIC



NOTES

1. ALL DIMENSIONS IN MM [INCH]
2. GENERAL TOLERANCE: X.X±0.4  
X.XX±0.25
3. TERMINAL NUMBERS FOR REF. ONLY.
4. OPERATING FORCE: 130±50gf
5. OPERATING LIFE: 300,000 CYCLES
6. TRAVEL: 0.5±0.2mm
- ▲7. CONTACT RATING: 12VDC @ 50mA
8. CONTACT RESISTANCE: 50m Ω MAX
9. INSULATION RESISTANCE: 100M Ω MIN.
10. BOUNCE MAX: 10m SEC MAX
11. OPERATING TEMPERATURE: -40°C TO 85°C
12. STORAGE TEMPERATURE: -55°C TO 85°C
13. PACKAGING: TAPE AND REEL 1000 PIECES PER REEL
14. ▲ DENOTES CRITICAL PARAMETER
15. 2002/95/EC (ROHS) COMPLIANT



B	19552	UPDATE DRAWING	12/29/10	BMA
A	18702	Release for Production	11/4/09	BLR
REV	PCR NO	DESCRIPTION	DATE	BY

E-SWITCH™				
TITLE TL6120AF130QGSSDOME				
SCALE	DATE	DR	DWG	REV
4:1	11/4/2009	BLR	D351521	B

THE INFORMATION CONTAINED IN THIS DOCUMENT IS PROPRIETARY TO E-SWITCH AND IS NOT TO BE COPIED OR TRANSFERRED