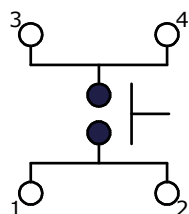
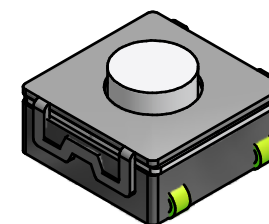
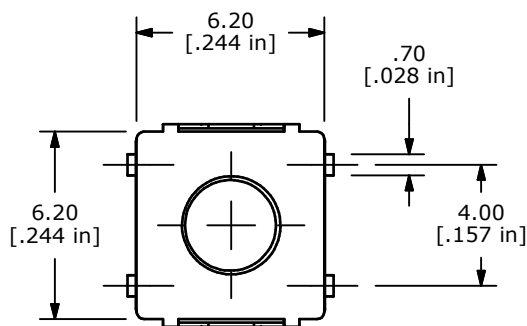


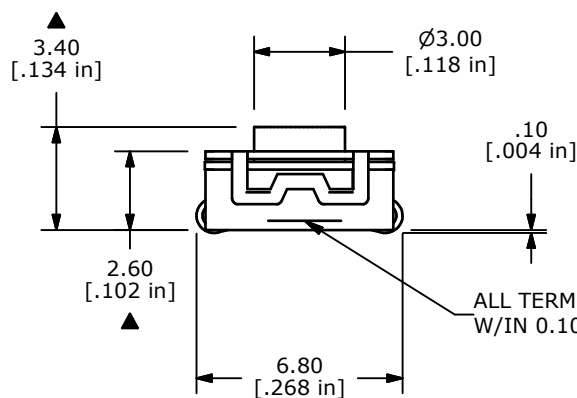
RECOMMENDED P.C.B. LAYOUT



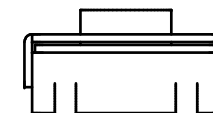
CIRCUIT: SPST

NOTES:

1. ALL DIMENSIONS IN MM [INCH]
2. GENERAL TOLERANCE: $x.x \pm 0.4$
 $x.xx \pm 0.25$
3. TERM. NOS. FOR REF. ONLY
4. RATING: 50mA, @12V DC
- ▲5. OPERATING FORCE: $160 \pm 50gf$
6. TRAVEL: $0.25 +0.2/-0.1MM$
7. CONTACT RESISTANCE: 100 mΩ MAX. E
8. PACKAGING: TAPE AND REEL, 1600 PCS PER REEL
- ▲9. CONTACT MATERIAL: SILVER
10. ▲ DENOTES CRITICAL PARAMETER
11. 2002/95/EC (ROHS) COMPLIANT
12. MECHANICAL/ELECTRICAL LIFE: 100,000 CYCLES
13. OPERATING TEMPERATURE: $-20^{\circ}C$ TO $70^{\circ}C$ E



ALL TERMINALS MUST BE CO-PLANAR W/IN 0.10 [.004] TOTAL



E	21024	100mΩ WAS 100Ω, ADD TEMP NOTE	2/12/13	EBP
D	16713	REVISED AND REDRAWN INVENTOR	11/29/06	TN
REV	PCR NO	DESCRIPTION	DATE	BY

TITLE TL3304AF160QJ				
SCALE	DATE	DR	DWG	REV
4:1	11/29/2006	TN	P010543	E

THE INFORMATION CONTAINED IN THIS DOCUMENT IS PROPRIETARY TO E-SWITCH AND IS NOT TO BE COPIED OR TRANSFERRED