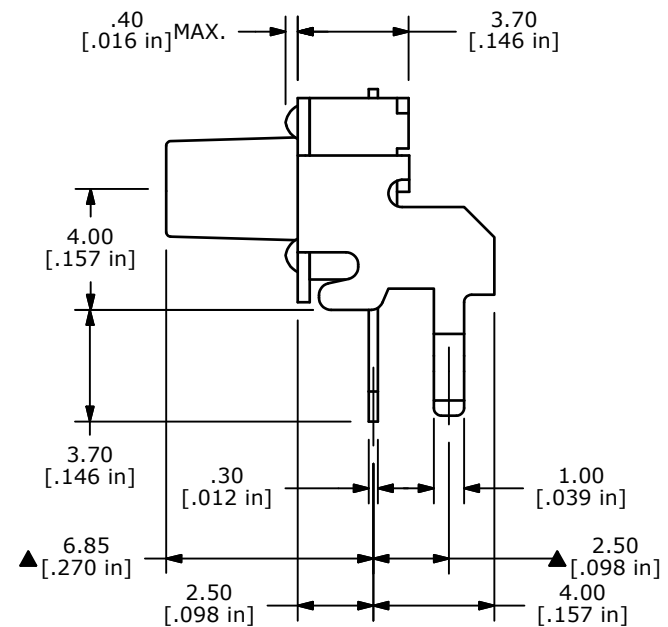
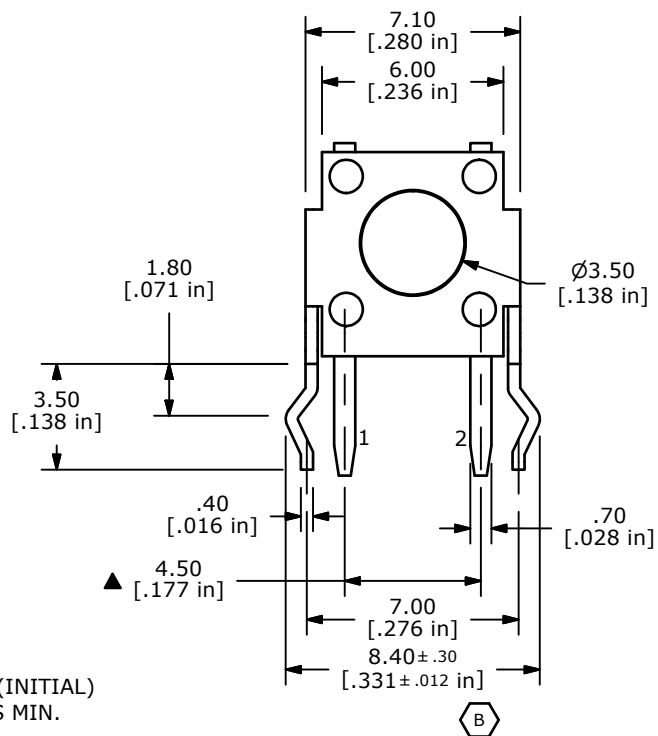
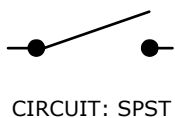


ISOMETRIC



NOTES:

1. ALL DIMENSIONS IN MM
2. GENERAL TOLERANCE: X.X=±0.4  
X.XX=±0.25
3. TERM. NOS. FOR REFERENCE ONLY.
- ▲ 4. RATING: 12VDC, 50mA
5. OPERATING FORCE: 100±50 gms
6. TRAVEL: 0.25 +0.2/-0.1 mm
7. CONTACT RESISTANCE: 100 MILLI OHMS MAX. (INITIAL)
8. MECHANICAL/ELECTRICAL LIFE 100,000 CYCLES MIN.
- ▲ 9. CONTACT MATERIAL: SILVER
10. ▲ DENOTES CRITICAL PARAMETER
11. 2002/95/EC (ROHS) COMPLIANT



B	19502	ADDED TOLERANCE	12/08/10	BGL
A	17770	RELEASED FOR PRODUCTION	10/15/07	BF
REV	PCR NO	DESCRIPTION	DATE	BY

TITLE TL1105MF100Q				
SCALE	DATE	DR	DWG	REV
4:1	10/15/2007	BF	P020238	B

THE INFORMATION CONTAINED IN THIS DOCUMENT IS PROPRIETARY TO E-SWITCH AND IS NOT TO BE COPIED OR TRANSFERRED