



SERIES RC 1083 SWITCHES

ROCKER SWITCHES



FEATURES & BENEFITS

- ▶ 15 amp
- ▶ Snap-in panel mount

APPLICATIONS/MARKETS

- ▶ Audio/Visual
- ▶ Consumer Electronics
- ▶ Test/instrumentation

SPECIFICATIONS

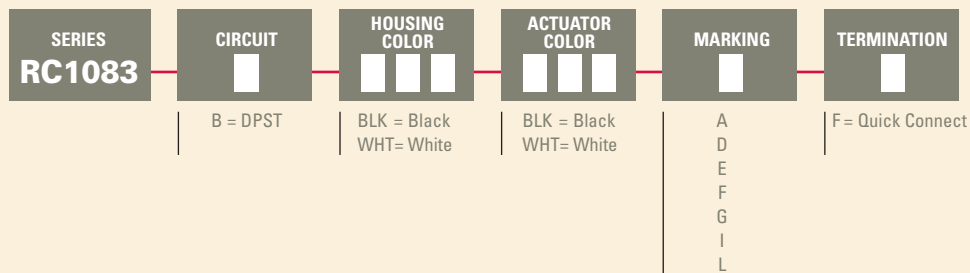
Contact Rating:	12A @ 125 VAC 8A @ 250 VAC (UL, CUL, CSA) 6A @ 250 VAC (S, N, Fi, VDE)
Life Expectancy (Mechanical):	15,000 cycles
Life Expectancy (Electrical):	10,000 cycles
Contact Resistance:	10 mΩ max., initial @ 2-4 VDC
Insulation Resistance:	> 1,000 MΩ
Dielectric Strengths:	> 1,500 volts 1 minute > 3,000 volts between poles
Operating Temperature:	-30° C to 85° C
Safety Standard Approval:	UL, CUL, VDE

MATERIALS

Body:	Nylon 6/6
Rocker:	Nylon 6/6
Terminal:	Silver plated copper alloy



HOW TO ORDER



Example Ordering Number

RC1083-B-BLK-RED-E-F-1

Specifications subject to change without notice.

TACT SWITCHES

NAVIGATION SWITCHES

PUSHBUTTON SWITCHES

TOGGLE SWITCHES

ROCKER SWITCHES

SLIDE SWITCHES

SNAP-ACTION SWITCHES

DIP SWITCHES

KEYLOCK SWITCHES

ROTARY SWITCHES

DETECTOR SWITCHES

CAP OPTIONS



SERIES RC 1083 SWITCHES

ROCKER SWITCHES

TACT SWITCHES

NAVIGATION SWITCHES

PUSHBUTTON SWITCHES

TOGGLE SWITCHES

ROCKER SWITCHES

SLIDE SWITCHES

SNAP-ACTION SWITCHES

DIP SWITCHES

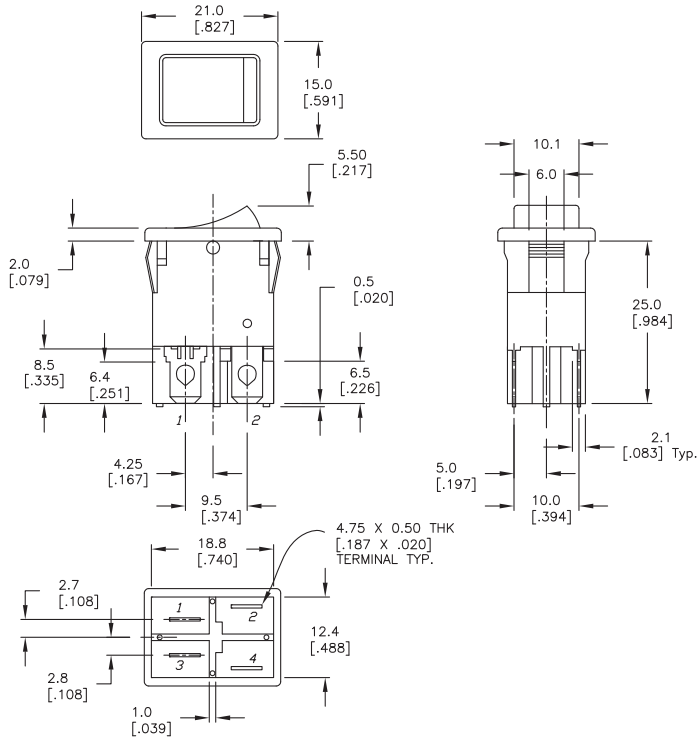
KEYLOCK SWITCHES

ROTARY SWITCHES

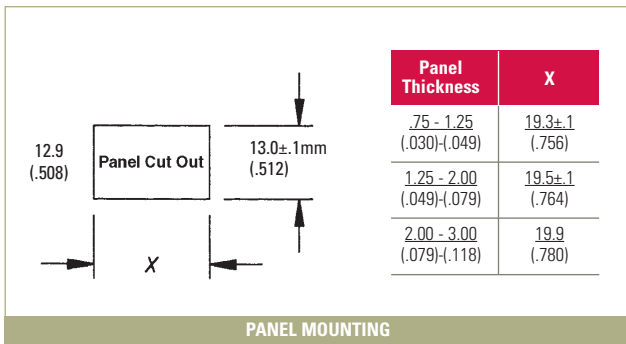
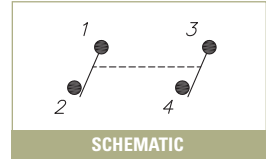
DETECTOR SWITCHES

CAP OPTIONS

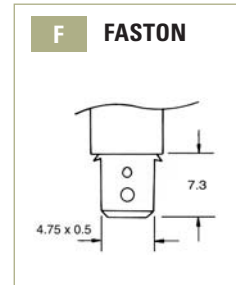
DPST



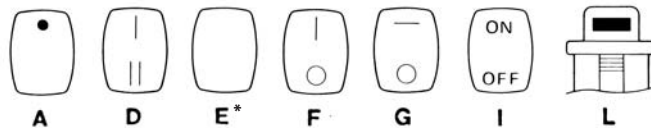
Circuit	POS 1	POS 2
DPST	ON	OFF
Term. Comm.	1-1a 2-2a	OPEN



TERMINATION OPTIONS



MARKING OPTIONS



* 'E' Marking standard for all LED versions.