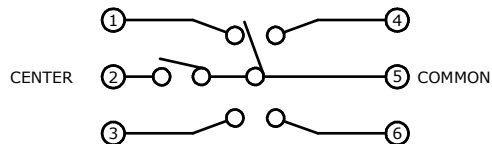
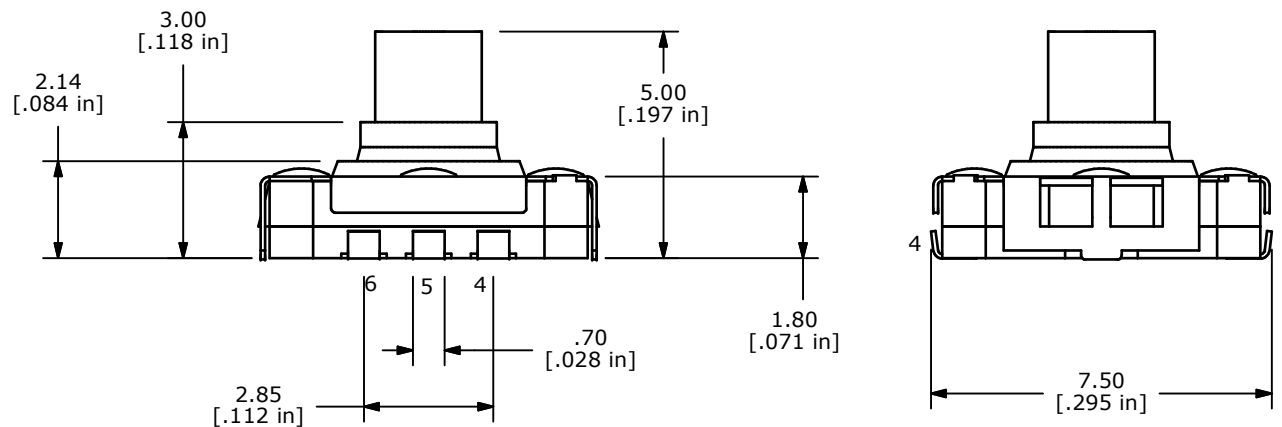


**ISOMETRIC**



**CIRCUIT DIAGRAM**

OPERATING POSITION	CIRCUIT
A	⑤-①
B	⑤-④
C	⑤-⑥
D	⑤-③
CENTER PUSH	⑤-②



- NOTES:**
- RATING: 12V DC 50mA MAX.
  - CONTACT RESISTANCE: 500 milli OHMS MAX.
  - OPERATING FORCES:  
 CENTER PUSH: 260 ± 70gf  
 STROKE: 0.15±0.1 mm  
 4-WAY DIRECTION: 160 ± 50gf  
 TRAVEL: 0.20 ± 0.1 mm (3.5 +5/-1°)
  - LIFE CYCLES: 200,000
  - GENERAL TOLERANCE: ± 0.3
  - 2002/95/EC (ROHS) COMPLIANT

REV	PCR NO	DESCRIPTION	DATE	BY
B	18550	CASE ASSEMBLY METHOD CHANGED	6/4/09	BLR
A	15947	NEW RELEASE	4/5/06	PH

<b>E-SWITCH®</b>		<b>LAMB INDUSTRIES</b>	
<b>TITLE JS1200ABQ</b>			
SCALE	DATE	DR	DWG
6:1	6/4/2009	BLR	P000501
			REV
			B

THE INFORMATION CONTAINED IN THIS DOCUMENT IS PROPRIETARY TO E-SWITCH AND IS NOT TO BE COPIED OR TRANSFERRED