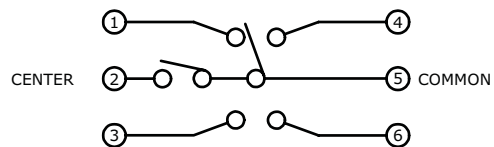


SOLDER LAYOUT

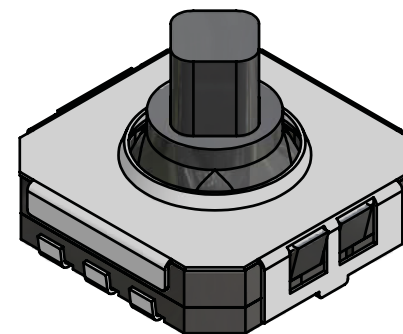
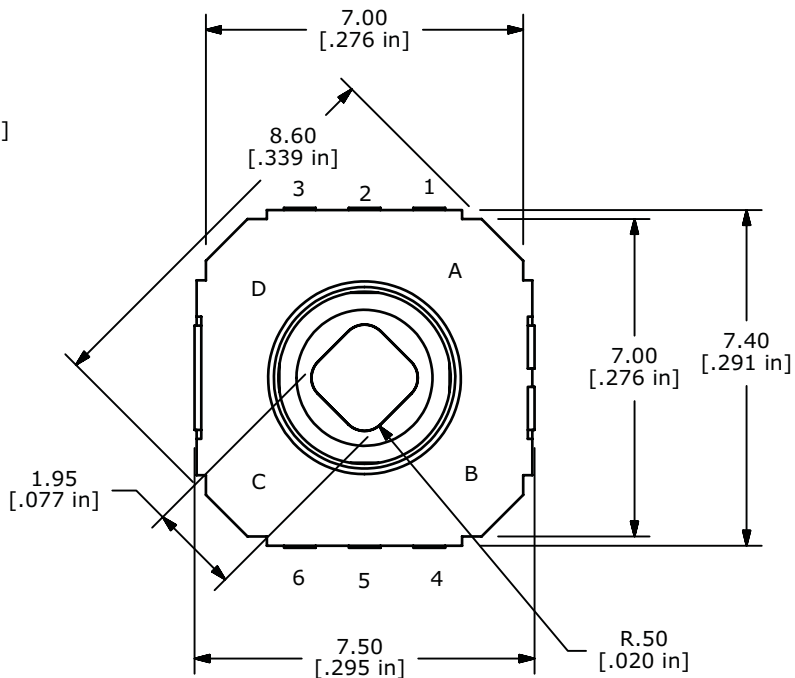


CIRCUIT DIAGRAM

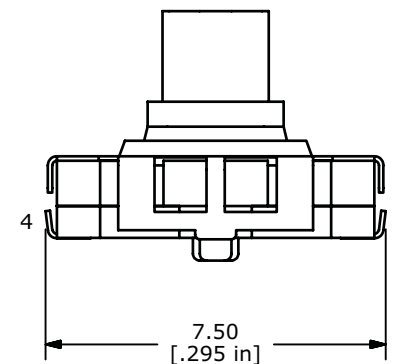
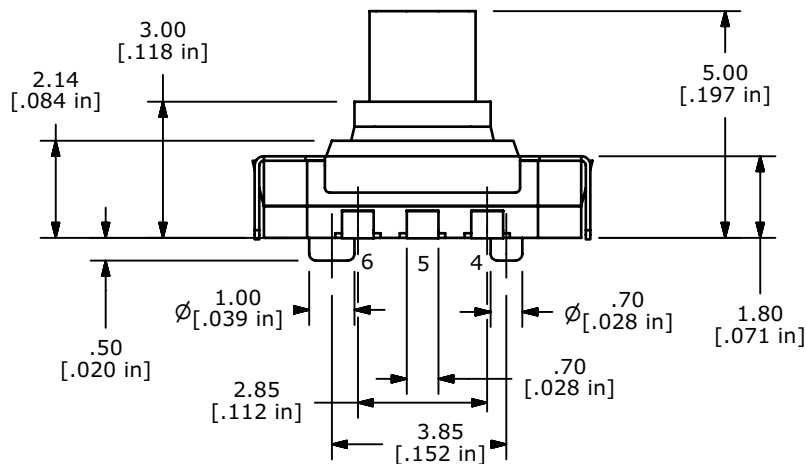
OPERATING POSITION	CIRCUIT
A	⑤-①
B	⑤-④
C	⑤-⑥
D	⑤-③
CENTER PUSH	⑤-②

NOTES:

- RATING: 12V DC 50mA MAX.
- CONTACT RESISTANCE: 500 milli OHMS MAX.
- OPERATING FORCES: CENTER PUSH: 320gf ± 70gf
STROKE: 0.15± 0.1 mm
4-WAY DIRECTION: 160gf ± 50gf
- LIFE CYCLES: 200,000
- GENERAL TOLERANCE: ± 0.3



ISOMETRIC



A	15947	NEW RELEASE	4/5/06	PH
REV	PCR NO	DESCRIPTION	DATE	BY

TITLE JS1200AAQ				
SCALE	DATE	DR	DWG	REV
6:1	4/5/2006	PH	P000500	A

THE INFORMATION CONTAINED IN THIS DOCUMENT IS PROPRIETARY TO E-SWITCH AND IS NOT TO BE COPIED OR TRANSFERRED