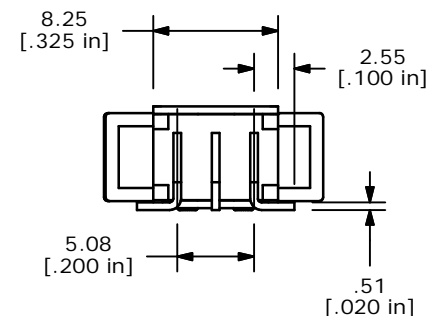
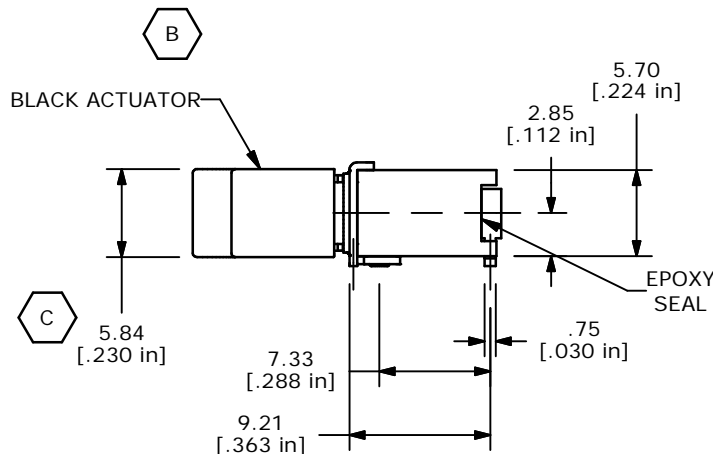
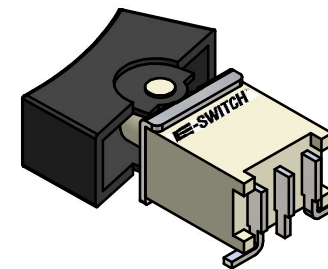
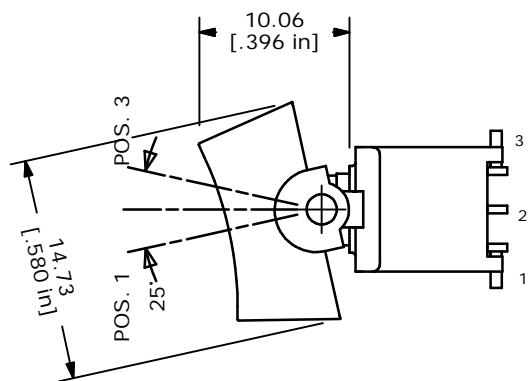
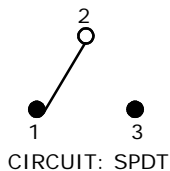


RECOMMENDED P.C.B. LAYOUT

SWITCH FUNCTION		
POS. 1	POS. 2	POS. 3
ON	NONE	ON
2-3	OPEN	2-1



- NOTES:
- ALL DIMENSIONS IN MM[INCH].
 - GENERAL TOLERANCE: X.X=±0.4
X.XX=±0.25
 - TERM. NOS. FOR REFERENCE ONLY.
 - ELECTRICAL LIFE: 50,000 MAKE-AND-BREAK CYCLES AT FULL LOAD.
 - ▲5. CONTACT MATERIAL: SILVER
 6. CONTACT RATING: 1 AMP @250 VAC
3 AMPS @120 VAC OR 28 VDC
 7. CONTACT RESISTANCE: 20MILLI-OHMS MAX. INITIAL @2-4 VDC
 8. OPERATING TEMPERATURE: -30°C TO 85°C.
 - ▲9. TERMINALS TO BE COPLANAR TO WITHIN 0.1[.004] B
 - ▲10. ▲DENOTES CRITICAL PARAMETER

C	13748	CHANGE ACTUATOR	2/4/04	AR
B	13742	ADD NOTES, CHANGE ACTUATOR, TITLE	1/30/04	AR
A	13561	RELEASED FOR PRODUCTION	10/29/03	AR
REV	PCR NO	DESCRIPTION	DATE	BY

THE INFORMATION CONTAINED IN THIS DOCUMENT IS PROPRIETARY TO E-SWITCH AND IS NOT TO BE COPIED OR TRANSFERRED



TITLE 400BWMSP1R2BLKSM6QE				
SCALE 2:1	DATE 10/29/03	DR AR	DWG T460000	REV C