

| CNC1 Pin Assignment Connector : JST XHD12 | |
|--|----------------------|
| pin # | description |
| 12 | no connection |
| 11 | OSD Select UP |
| 10 | OSD Select Down |
| 9 | OSD Plus/Right |
| 8 | OSD Minus/Left |
| 7 | OSD Menu |
| 6 | Ground |
| 5 | Backlight Brightness |
| 4 | VR pin B |
| 3 | Backlight Brightness |
| 2 | VR pin A |
| 1 | Power Switch B |
| 1 | Power Switch A |

| CNC2 Pin assignment Connector : Hirose DF13-9F | |
|---|---------------------------|
| pin # | description |
| 9 | Ground |
| 8 | Adjust Down/Decrease/Left |
| 7 | Adjust Up/Increase/Right |
| 6 | Select Down |
| 5 | Select Up |
| 4 | Ground |
| 3 | No connection |
| 2 | No connection |
| 1 | Power On/Off |

Jumper setting :

JP1: SWAP DEC/INC SWITCH

1-2,3-4 closed : NORMAL

1-3,2-4 closed : SWAPPED

JP2 : SWAP SEL UP/DN SWITCH

1-2,3-4 closed : NORMAL

1-3,2-4 closed : SWAPPED

JP3 : SWAP BRIGHTNESS INC/DEC SWITCH

1-2,3-4 closed : NORMAL

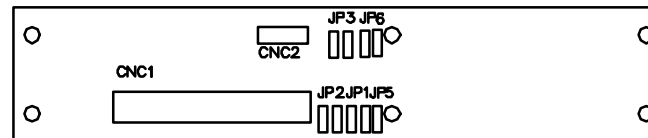
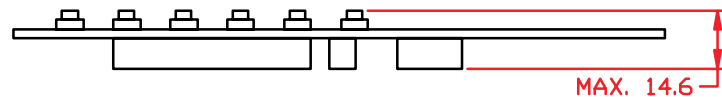
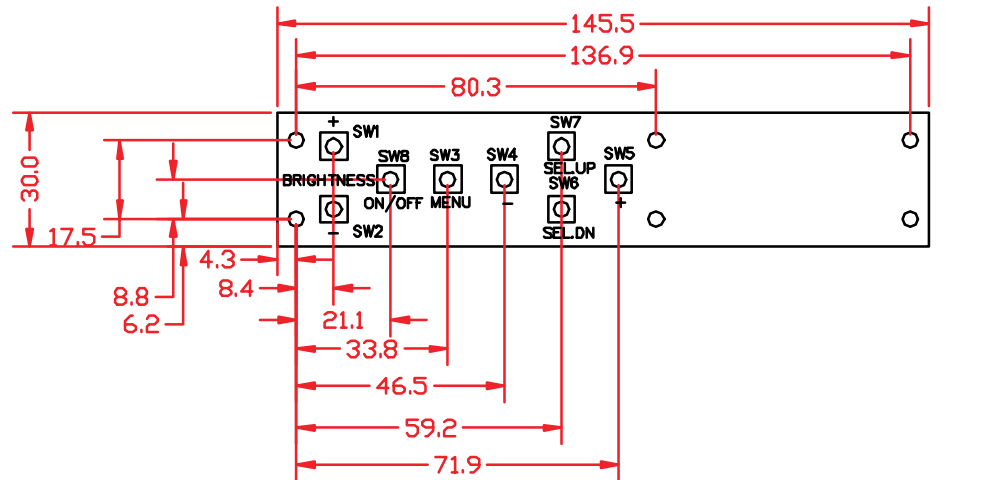
1-3,2-4 closed : SWAPPED

JP5 : 1-2 closed : Disable On/Off power button control

Open : Enable On/Off power button control(Default)

JP6 : 1-2 closed : Default power on (JP5 set open)

3-4 closed: Defalt power off (JP5 set open)



To OSD
Switch Mount
CNC1



OSD Cable:

P/N:420680260 (12/12WAY), 150mm

Other options:

P/N:426120400 (12/12WAY), 300mm

P/N:426120410 (12/12WAY), 610mm

To LCD
Interface
Controller



Title:
Digital Switch Mount (10K)

NOTE:
All dimensions are in mm

Date:
31. 8. 2004

Kit 60109 OSD GUIDE