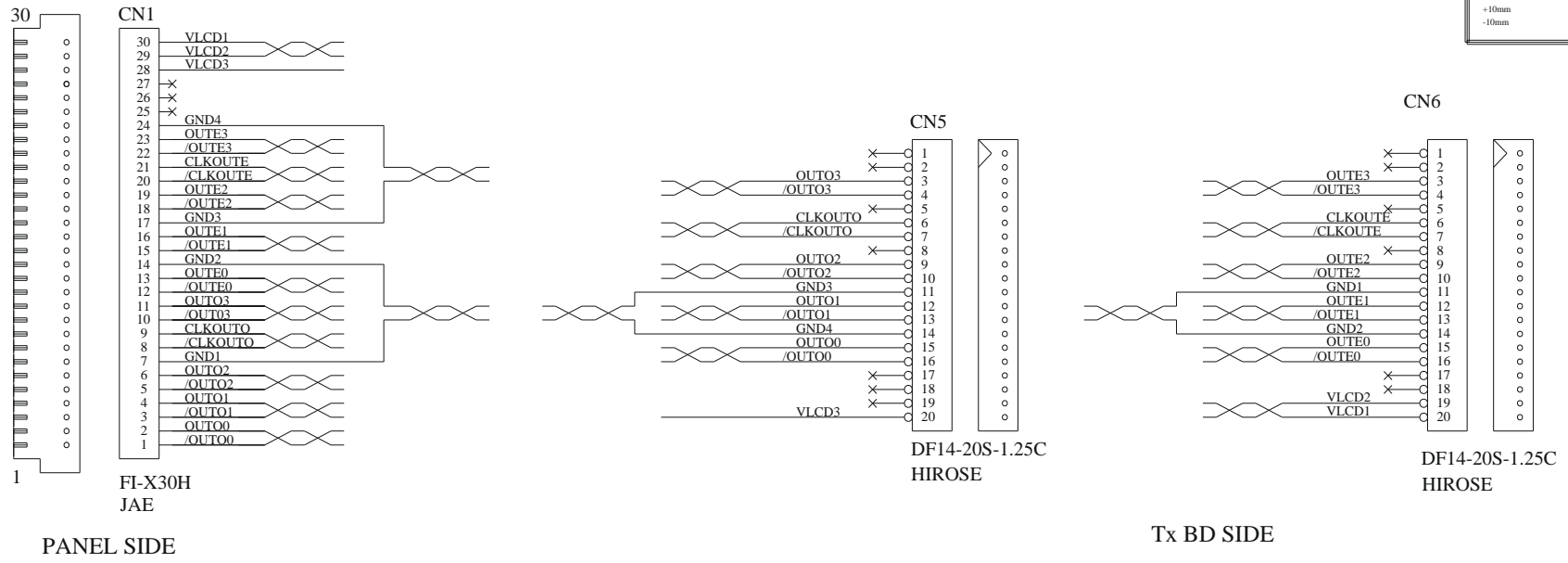
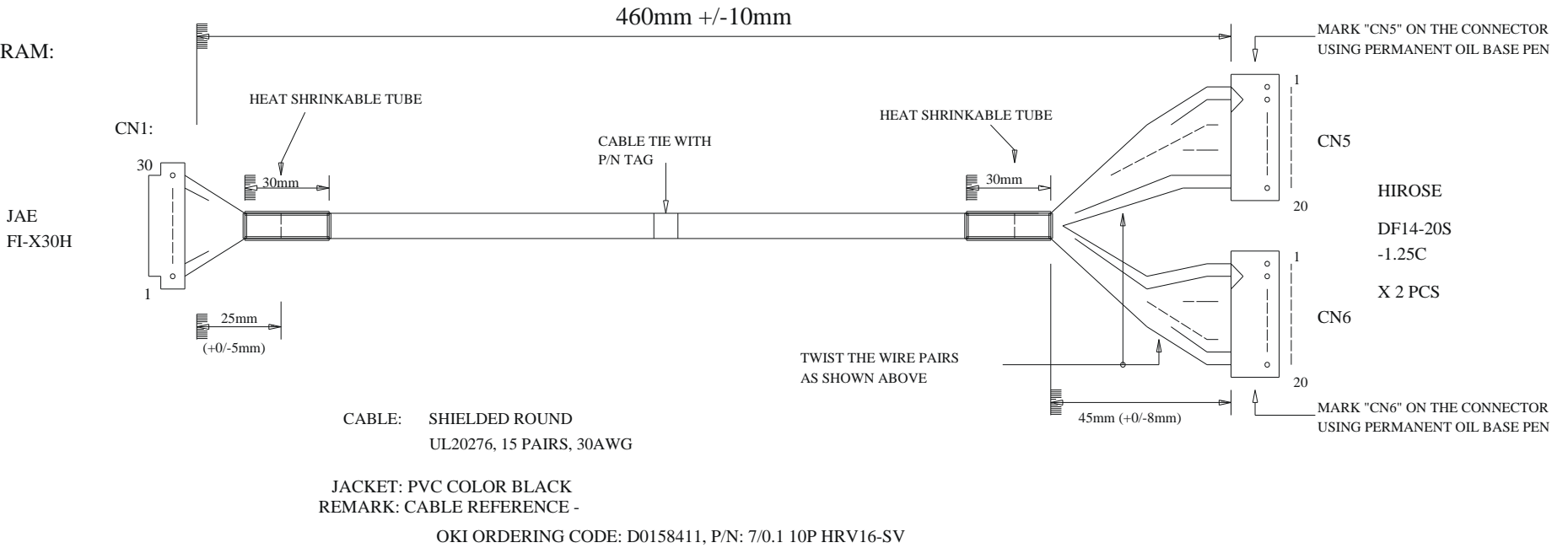


CONNECTION DIAGRAM:



TOLERANCE:
+10mm
-10mm

CONSTRUCTION DIAGRAM:



USAGE: LVDS CABLE FOR SAMSUNG LTM170E4-L01 SXGA PANEL
(WITH LVDS Tx. BOARD: P/N:4162138-00)

P/N 4264730-00
LVDS CABLE: SAMSUNG LTM170E4-L01, 460mm

DIGITAL VIEW LTD. COPYRIGHT 2001, ALL RIGHTS RESERVED CONFIDENTIAL DRAWN BY: DICK CHEUNG		
Title	LVDS CABLE: SAMSUNG LTM170E4-L01, 460mm	
Size	Document Number	REV
B	(G:\...DVI\DV_CABLE\C6473000.SCH)	01
Date	July 5, 2001	Sheet 1 of 1