

Genesys™ FPGA Board Reference Manual

Revised April 11, 2016

This manual applies to the Genesys rev. C

Overview

The Genesys circuit board is a complete, ready-to-use digital circuit development platform based on a Xilinx Virtex 5 LX50T. The large on-board collection of high-end peripherals, including Gbit Ethernet, HDMI Video, 64-bit DDR2 memory array, and audio and USB ports make the Genesys board an ideal host for complete digital systems, including embedded processor designs based on Xilinx's MicroBlaze. Genesys is compatible with all Xilinx CAD tools, including ChipScope, EDK, and the free WebPack, so designs can be completed at no extra cost.

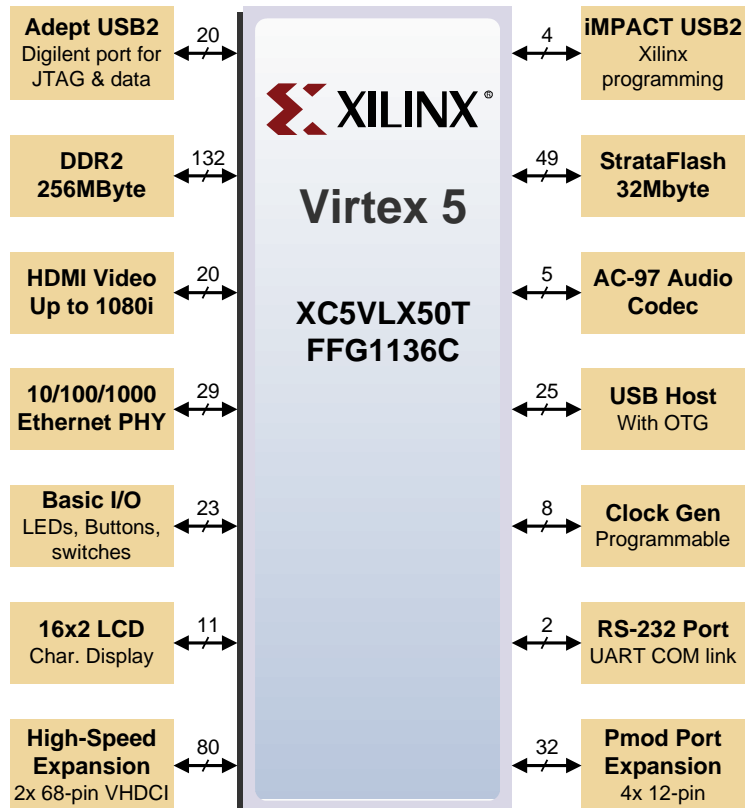


The Virtex5-LX50T is optimized for high-performance logic and offers:

- 7,200 slices, each containing four 6-input LUTs and eight flip-flops
- 1.7Mbits of fast block RAM
- 12 digital clock managers
- six phase-locked loops
- 48 DSP slices
- 500MHz+ clock speeds

The Genesys board includes Digilent's newest Adept USB2 system, which offers device programming, real-time power supply monitoring, automated board tests, virtual I/O, and simplified user-data transfer facilities. A second USB programming port, based on the Xilinx programming cable, is also built into the board.

A comprehensive collection of board support IP and reference designs, and a large collection of add-on boards are available on the Digilent website.



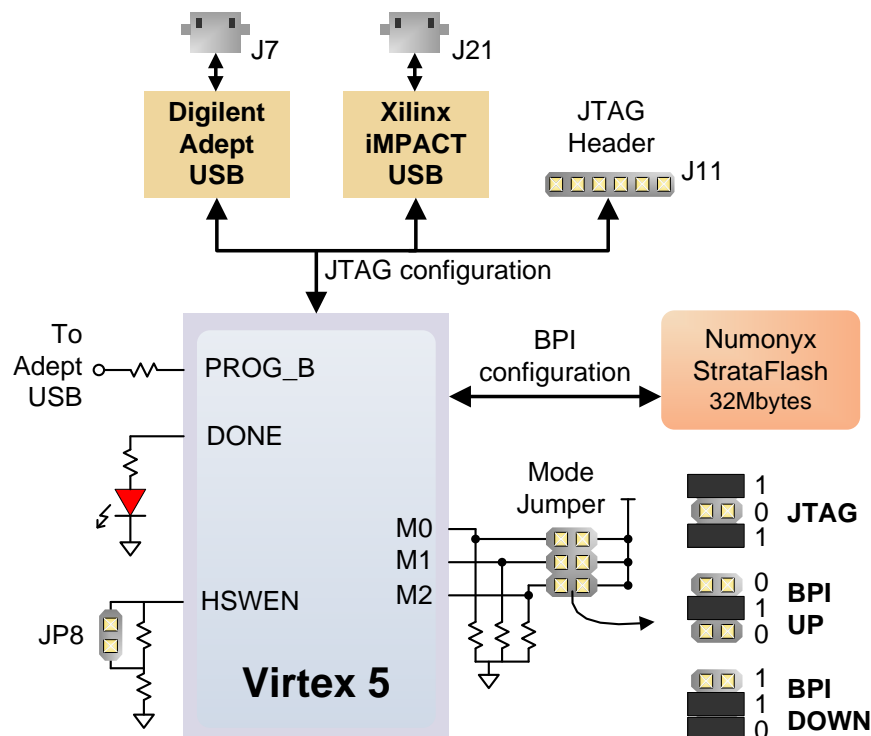
Features include:

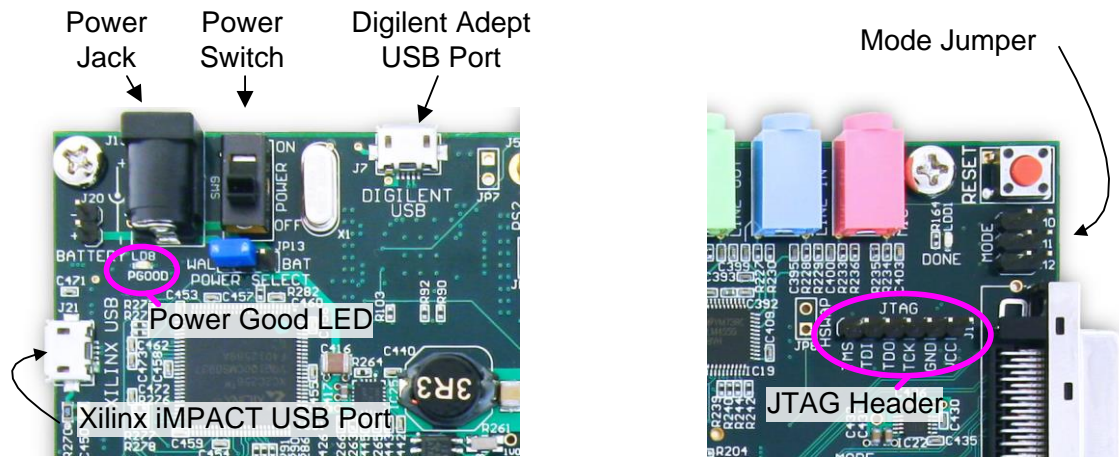
- Xilinx Virtex 5 LX50T FPGA, 1136-pin BGA package
- 256Mbyte DDR2 SODIMM with 64-bit wide data
- 10/100/1000 Ethernet PHY and RS-232 serial port
- multiple USB2 ports for programming, data, and hosting
- HDMI video up to 1600x1200 and 24-bit color
- AC-97 Codec with line-in, line-out, mic, and headphone
- real-time power monitors on all power rails
- 16Mbyte StrataFlash™ for configuration and data storage
- Programmable clocks up to 400MHz
- 112 I/O's routed to expansion connectors
- GPIO includes eight LEDs, two buttons, two-axis navigation switch, eight slide switches, and a 16x2 character LCD
- ships with a 20W power supply and USB cable

1 Configuration

After power-on, the FPGA on the Genesys board must be configured (or programmed) before it can perform any functions. A USB-connected PC can configure the board using the JTAG interface anytime power is on, or a file can be automatically transferred from the StrataFlash ROM at power-on. An on-board "mode" jumper selects which programming mode will be used.

Both Digilent and Xilinx freely distribute software that can be used to program the FPGA and the Flash ROM. Configuration files stored in the ROM use the Byte Peripheral Interface (BPI) mode. In BPI UP mode, the FPGA loads configuration data from the StrataFlash in an ascending direction starting at address 000000. In BPI DOWN mode, configuration data loads in a descending direction starting at address 03FFFF.





Once transferred, programming files are stored in SRAM-based memory cells within the FPGA. These SRAM cells define the FPGA's logic functions and circuit connections until they are erased, either by removing power or asserting the PROG_B input.

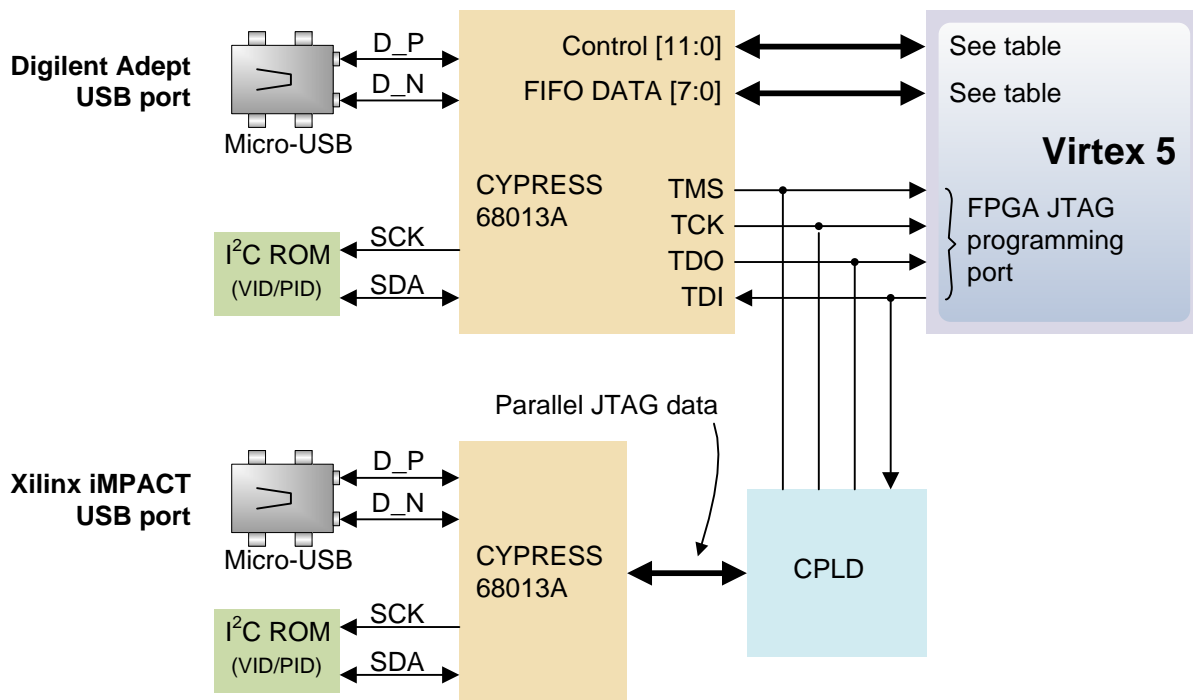
FPGA configuration files transferred using the JTAG interface use the .bin and .svf file types, and BPI files use the .bit, .bin, and .mcs file types. Xilinx's ISE WebPack and EDK software can create .bit, .svf, .bin, or .mcs files from VHDL, Verilog, or schematic-based source files (EDK is used for MicroBlaze™ embedded processor-based designs). Digilent's Adept software and Xilinx's iMPACT software can be used to program the Genesys board from a PC's USB port.

During FPGA programming, a .bit or .svf file is transferred from the PC to the FPGA using the USB-JTAG port. When programming the ROM, a .bit, .bin, or .mcs file is transferred to the ROM in a two-step process. First, the FPGA is programmed with a circuit that can transfer data from the USB-JTAG port into the ROM, and then data is transferred to the ROM via the FPGA circuit (this complexity is hidden and a simple "program ROM" interface is shown). After the ROM has been programmed, it can automatically configure the FPGA at a subsequent power-on or reset event if the Mode jumpers are set to the proper BPI mode. A programming file stored in the StrataFlash ROM will remain until it is overwritten, regardless of power-cycle events.

2 Adept System

2.1 Adept and iMPACT USB Ports

The Genesys board includes two USB peripheral ports – one for Adept software and another for Xilinx's iMPACT software. Either port can program the FPGA and StrataFlash, but Adept offers a simplified user interface and many additional features such as automated board test and user-data transfers. The Adept port is also compatible with iMPACT, if the Digilent Plug-In for Xilinx Tools is installed on the host PC (download it free from the Digilent website).



The plug-in automatically translates iMPACT-generated JTAG commands into formats compatible with the Digilent USB port, providing a seamless programming experience without leaving the Xilinx tool environment. All Xilinx tools (iMPACT, ChipScope, EDK, etc.) can work with the plug-in, and they can be used in conjunction with Adept tools (like the power supply monitor).

Adept's high-speed USB2 system can be used to program the FPGA and ROM, run automated board tests, monitor the four main board power supplies, add PC-based virtual I/O devices (like buttons, switches, and LEDs) to FPGA designs, and exchange register-based and file-based data with the FPGA. Adept automatically recognizes the Genesys board and presents a graphical interface with tabs for each of these applications. Adept also includes public APIs/DLLs so that users can write applications to exchange data with the Genesys board at up to 38Mbytes/sec. The Adept application, an SDK, and reference materials are freely downloadable from the Digilent website.

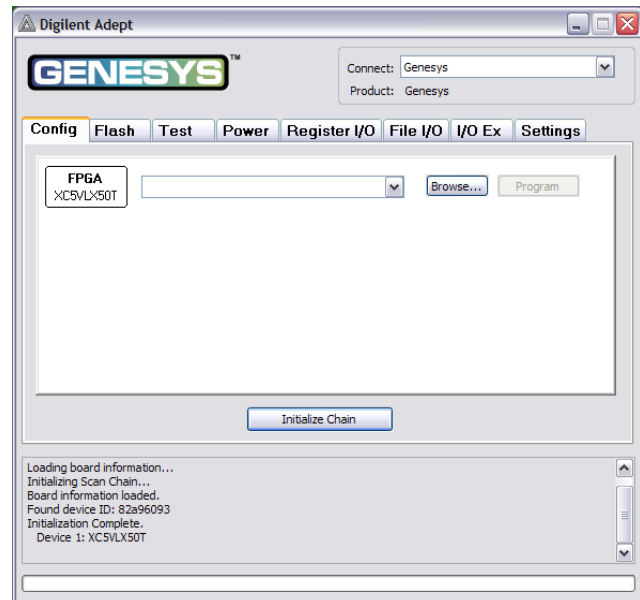
The Xilinx USB port is based on the Xilinx USB programming cable. It can be accessed by all Xilinx CAD tools and iMPACT.

2.2 Programming Interface

To program the Genesys board using Adept, first set up the board and initialize the software:

- plug in and attach the power supply
- plug in the USB cable to the PC and to the USB port on the board
- start the Adept software
- turn on Genesys' power switch
- wait for the FPGA to be recognized.

Use the browse function to associate the desired .bit or .svf file with the FPGA, and click on the Program button. The configuration file will be sent to the FPGA, and a dialog box will indicate whether programming was successful. The configuration "done" LED will light after the FPGA has been successfully configured.



Before starting the programming sequence, Adept ensures that any selected configuration file contains the correct FPGA ID code – this prevents incorrect .bit files from being sent to the FPGA.

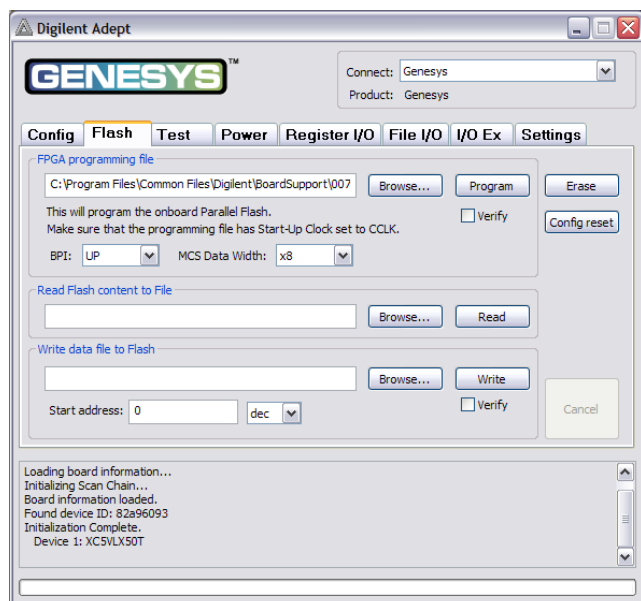
In addition to the navigation bar and browse and program buttons, the Config interface provides an Initialize Chain button, console window, and status bar. The Initialize Chain button is useful if USB communications with the board have been interrupted. The console window displays current status, and the status bar shows real-time progress when downloading a configuration file.

2.3 Flash Interface

The Flash programming application allows .bin, .bit, and .mcs configuration files to be transferred to the on-board StrataFlash ROM for BPI programming, and allows user data files to be transferred to/from the Flash at user-specified addresses.

The configuration tool supports BPI UP and BPI DOWN programming from any valid ROM file produced by the Xilinx tools (be sure the mode jumpers are set to BPI UP/DOWN appropriately, or Genesys will not auto-configure properly.)

The Read/Write tools allow data to be exchanged between files on the host PC and specified address ranges in Flash.



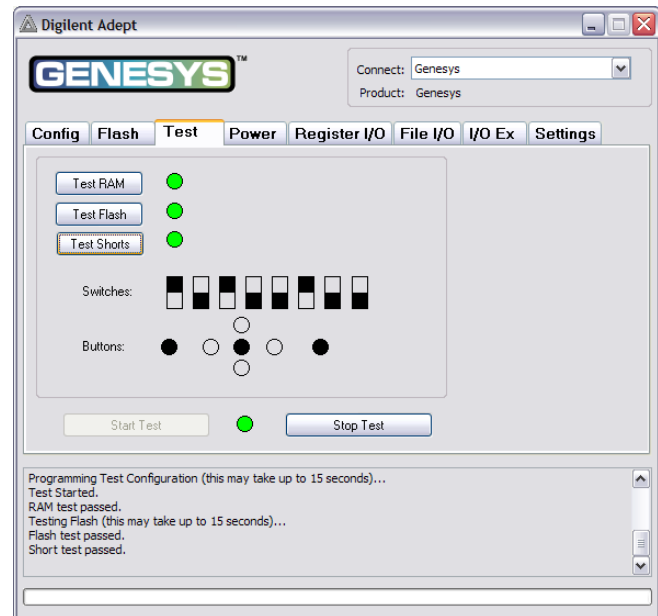
2.4 Test Interface

The test interface provides a quick and easy way to verify many of the board's hardware circuits and interfaces. Clicking Start Test will configure the FPGA with test and PC-communication circuits, overwriting any FPGA configuration that may have been present. Once the indicator near the Start Test button turns green, all available tests can be run.

The Test RAM and Test Flash utilities write/read data to/from all pages, ensuring the devices are working properly and no signals have shorts or opens.

The Test Shorts feature checks all discrete I/O's for shorts to Vdd, GND, and neighboring I/O pins. The switches and buttons graphics show the current states of those devices on the Genesys board.

Future releases of Adept may add additional tests, and more board features can be tested using reference projects available on the Digilent website.

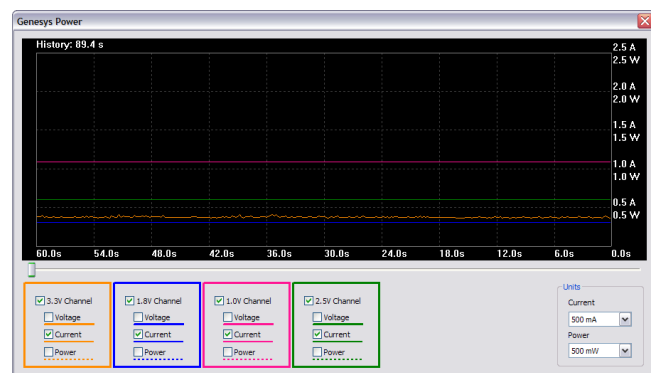
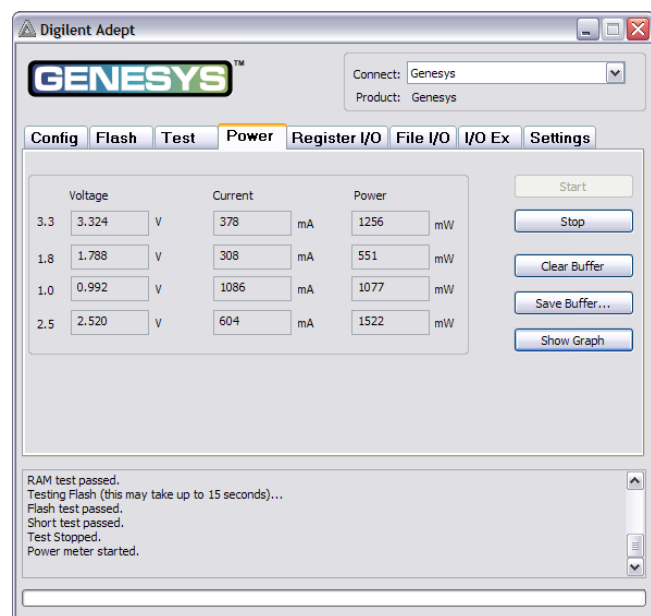


2.5 Power

The power application provides highly-accurate (better than 1%) real-time voltage, current, and power readings from four on-board TI power-supply monitors. The monitors are based on the TI INA219 high-side current and power monitors, which are configured to return 16-bit samples for each channel at 16Hz, with each returned sample being the average of 128 sub-samples. A 5mOhm shunt resistor and selected INA219 gain setting provide 4mV and 2mA measurement resolution.

Real-time voltage, current, and power data is displayed in tabular form and updated continuously when the power meter is active (or started).

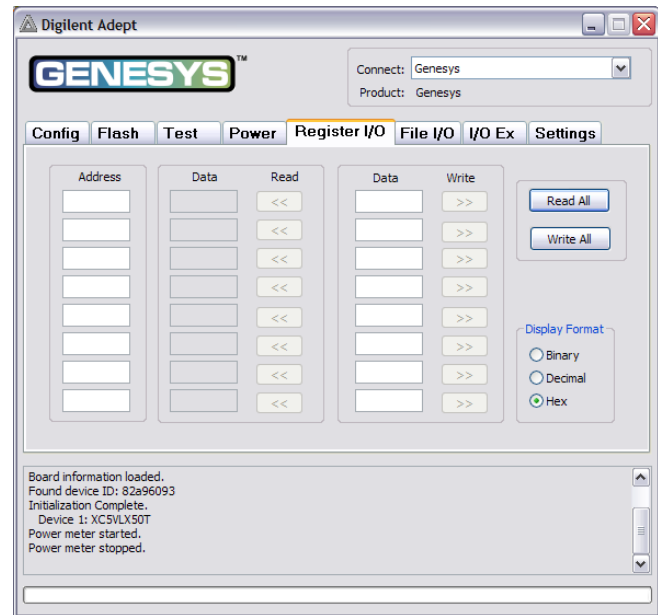
Historical data is available using the Show Graph feature, which shows a graph with voltage, current, and power plots for all four power supplies for up to ten minutes. Recorded values are also stored in a buffer that can be saved to a file for later analysis. Save Buffer and Clear Buffer are used to save and clear the historical data in the buffer.



2.6 Register I/O

The register I/O tab requires that a corresponding IP block, available in the Parallel Interface reference design (DpimRef.vhd) on the Adept page of the Digilent website, is included and active in the FPGA. This IP block provides an EPP-style interface, where an 8-bit address selects a register, and data read and write buttons transfer data to and from the selected address. Addresses entered into the address field must match the physical address included in the FPGA IP block.

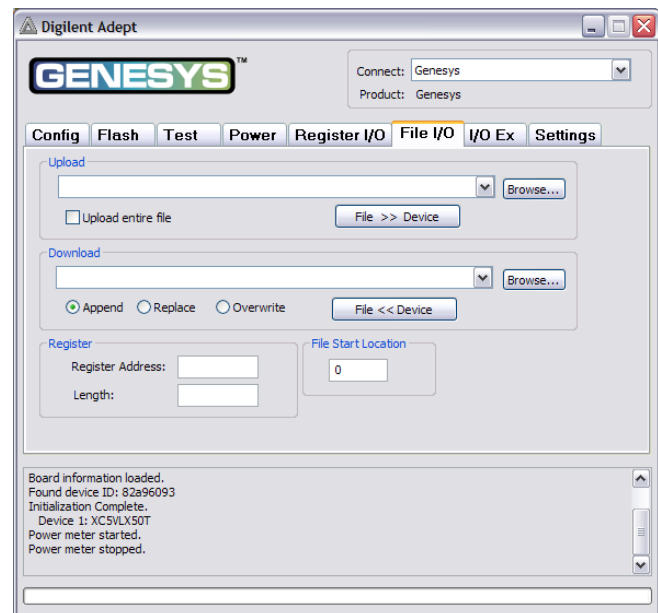
Register I/O provides an easy way to move small amounts of data into and out of specific registers in a given design. This feature greatly simplifies passing control parameters into a design, or reading low-frequency status information out of a design.



2.7 File I/O

The File I/O tab can transfer arbitrarily large files between the PC and the Genesys FPGA. A number of bytes (specified by the Length value) can be streamed into a specified register address from a file or out of a specified register address into a file. During upload and download, the file start location can be specified in terms of bytes.

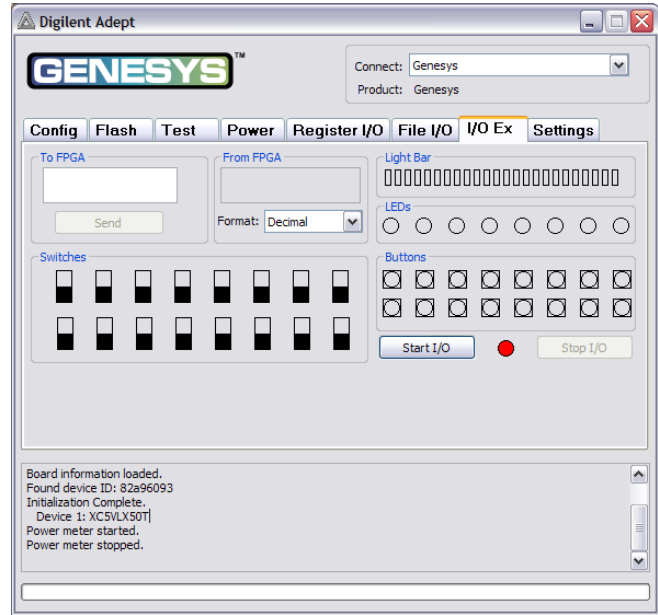
As with the Register I/O tab, File I/O also requires specific IP to be available in the FPGA. This IP can include a memory controller for writing files into the on-board DDR2 and Flash memories.



2.8 I/O Expand

The I/O Expand tab works with an IP block in the FPGA to provide additional simple I/O beyond the physical devices found on the Genesys board. Virtual I/O devices include a 24-LED light bar, 16 slide switches, 16 push buttons, 8 discrete LEDs, a 32-bit register that can be sent to the FPGA, and a 32-bit register that can be read from the FPGA. The IP block, available in the Adept I/O Expansion reference design (AdeptIOExpansion.zip) on the Adept page of the Digilent website, provides a simple interface with well-defined signals. This IP block can easily be included in, and accessed from, user-defined circuits.

For more information, please see the Adept documentation available at the Digilent website.



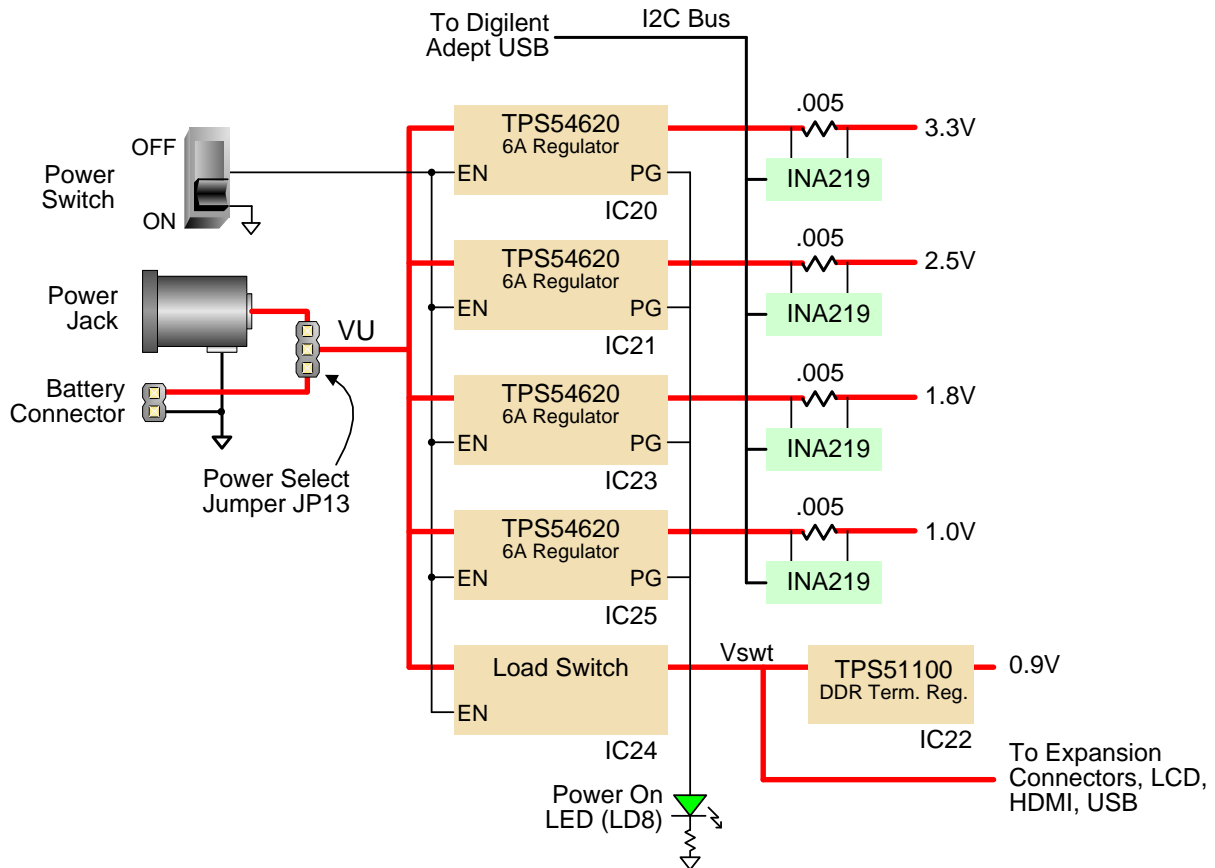
3 Power Supplies

The Genesys board requires an external 5V 4A or greater power source with a coax center-positive 2.1mm internal-diameter plug (a suitable supply is provided as a part of the Genesys kit). Voltage regulator circuits from Texas Instruments create the required 3.3V, 2.5V, 1.8V, 1.0V, and 0.9V supplies from the main 5V supply. The table below provides additional information (typical currents depend strongly on FGPA configuration; the values provided are typical of medium size/speed designs).

Supply	Circuits	Device	Amps (max/typ)
3.3V	FPGA I/O, Video, RS-232, USB, Clocks, ROM, Audio	IC20: TPS54620	6A / 700mA
2.5V	FPGA Aux, VHDC, Ethernet PHY I/O, GPIO	IC21: TPS54620	6A / 400mA
1.0V	FPGA Core, Ethernet PHY core	IC25: TPS54620	6A / 0.8 – 1.2A
1.8V	DDR & FPGA DDR I/O	IC23: TPS54620	6A / 1A
0.9V	DDR SODIMM Termination Voltage (V_{TT})	IC22: TPS51100	3A / 1A

Table 1: Genesys Power Supplies.

The four main voltage rails on the Genesys board use TI INA219 power supply monitors to continuously measure voltage, current, and power. Measured values may be viewed on a PC using Digilent's power meter that is a part of the Adept software.



Genesys power supplies are controlled by a logic-level switch (SW9) that enables/disables the power supply controller IC's. A power-good LED (LD8), driven by the "power good" outputs on all supplies, indicates that all supplies are operating within 10% of nominal.

A load switch (the TPS51100) passes the input voltage VU to the "Vswt" node, depending on the state of the power switch. Vswt is assumed to be 5V, and is used by many systems on the board including the LCD, HDMI ports, I2C bus, and USB host. Vswt is also available at expansion connectors, so that any connected boards can be turned off along with the Genesys board.

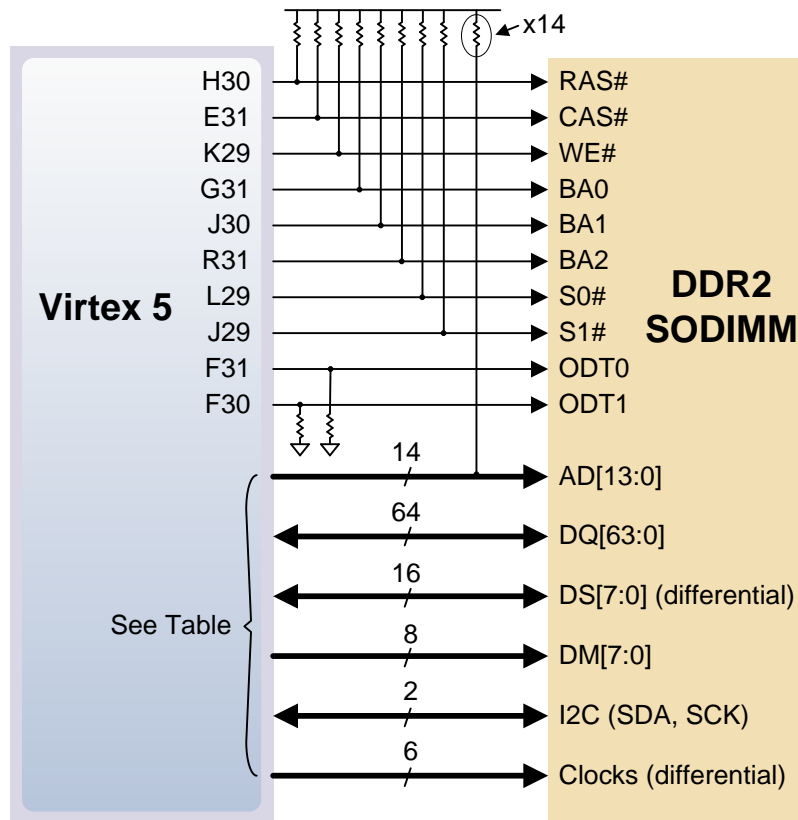
4 DDR2 Memory

A single small outline dual in-line memory module (SODIMM) connector is provided and loaded with a Micron MT4HTF3264HY-667D3 (or equivalent) single-rank unregistered 256Mbyte DDR2 module (additional address lines and chip selects are routed, so that similar SODIMMs with densities up to 2GB may be used). Serial Presence Detect (SPD) using an IIC interface to the DDR DIMM is also supported.

The Genesys board has been tested for DDR2 operation at a 400MHz data rate. Faster data rates might be possible but are not tested.

The DDR2 interface follows the pinout and routing guidelines specified in the *Xilinx Memory Interface Generator (MIG) User Guide*. The interface supports SSTL18 signaling, and all address, data, clocks, and control signals are delay-matched and impedance-controlled. Address and control signals are terminated through 47-ohm resistors to

a 0.9V V_{TT} , and data signals use the On-Die-Termination (ODT) feature of the SODIMM. Two well-matched DDR2 clock signal pairs are provided to the SODIMM that can be driven with low-skew clocks from the FPGA.

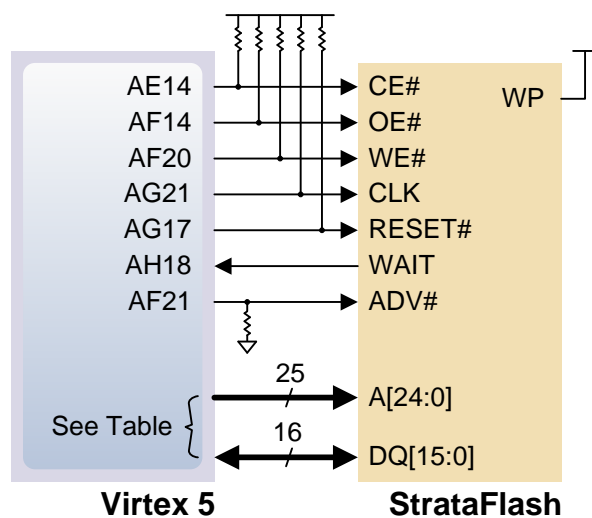


Data				Address	Strobes	Clk,Mask,I2C	Control
DQ0: AF30	DQ16: AC28	DQ32: V29	DQ48: M28	AD0: L30	DS0P: AA29	CK0P: AK29	RAS#: H30
DQ1: AK31	DQ17: AB25	DQ33: Y27	DQ49: L28	AD1: M30	DS0N: AA30	CK0N: AJ29	CAS#: E31
DQ2: AF31	DQ18: AC27	DQ34: Y26	DQ50: F25	AD2: N29	DS1P: AK28	CK1P: E28	WE#: K29
DQ3:AD30	DQ19: AA26	DQ35: W24	DQ51: H25	AD3: P29	DS1N: AK27	CK1N: F28	BA0: G31
DQ4: AJ30	DQ20: AB26	DQ36: V28	DQ52: K27	AD4: K31	DS2P: AK26	CKE0: T28	BA1: J30
DQ5: AF29	DQ21: AA24	DQ37: W25	DQ53: K28	AD5: L31	DS2N: AJ27	CKE1: U30	BA2: R31
DQ6: AD29	DQ22: AB27	DQ38: W26	DQ54: H24	AD6: P31	DS3P: AB31	DM0: AJ31	S0: L29
DQ7: AE29	DQ23: AA25	DQ39: V24	DQ55: G26	AD7: P30	DS3N: AA31	DM1: AE28	S1: J29
DQ8: AH27	DQ24: AC29	DQ40: R24	DQ56: G25	AD8: M31	DS4P: Y28	DM2: Y24	ODT0: F31
DQ9: AF28	DQ25: AB30	DQ41: P25	DQ57: M26	AD9: R28	DS4N: Y29	DM3: Y31	ODT1: F30
DQ10: AH28	DQ26: W31	DQ42: N24	DQ58: J24	AD10: J31	DS5P: E26	DM4: V25	
DQ11: AA28	DQ27: V30	DQ43: P26	DQ59: L26	AD11: R29	DS5N: E27	DM5: P24	
DQ12: AG25	DQ28: AC30	DQ44: T24	DQ60: J27	AD12: T31	DS6P: H28	DM6: F26	
DQ13: AJ26	DQ29: W29	DQ45: N25	DQ61: M25	AD13: H29	DS6N: G28	DM7: J25	
DQ14: AG28	DQ30: V27	DQ46: P27	DQ62: L25		DS7P: G27	SDA: F29	
DQ15: AB28	DQ31: W27	DQ47: N28	DQ63: L24		DS7N: H27	SCK: E29	

Table 2. DDR2 SODIMM pinout.

5 Flash Memory

The Genesys board uses a 256Mbit Numonyx P30 parallel flash memory device (organized as 16-bit by 16Mbytes) for non-volatile storage of FPGA configuration files. Configuration files are stored using the byte-peripheral interface mode (BPI) in either up or down configurations. A single FPGA configuration file requires less than 16Mbits, leaving 140Mbits available for user data. Data can be transferred to/from the Flash by user applications, or by facilities built into the Adept software. A reference design on the Digilent website provides an example of driving the Flash memory.



Address Signals		Data Signals
A0: K12	A13: K16	D0: AD19
A1: K13	A14: K21	D1: AE19
A2: H23	A15: J22	D2: AE17
A3: G23	A16: L16	D3: AF16
A4: H12	A17: L15	D4: AD20
A5: J12	A18: L20	D5: AE21
A6: K22	A19: L21	D6: AE16
A7: K23	A20: AE23	D7: AF15
A8: K14	A21: AE22	D8: AH13
A9: L14	A22: AG12	D9: AH14
A10: H22	A23: AF13	D10: AH19
A11: G22	A24: AG23	D11: AH20
A12: J15		D12: AG13
		D13: AH12
		D14: AH22
		D15: AG22

A board test/demonstration program is loaded into the StrataFlash during manufacturing. That configuration, also available on the Digilent webpage, can be used to demonstrate and check all of the devices and circuits on the Genesys board.

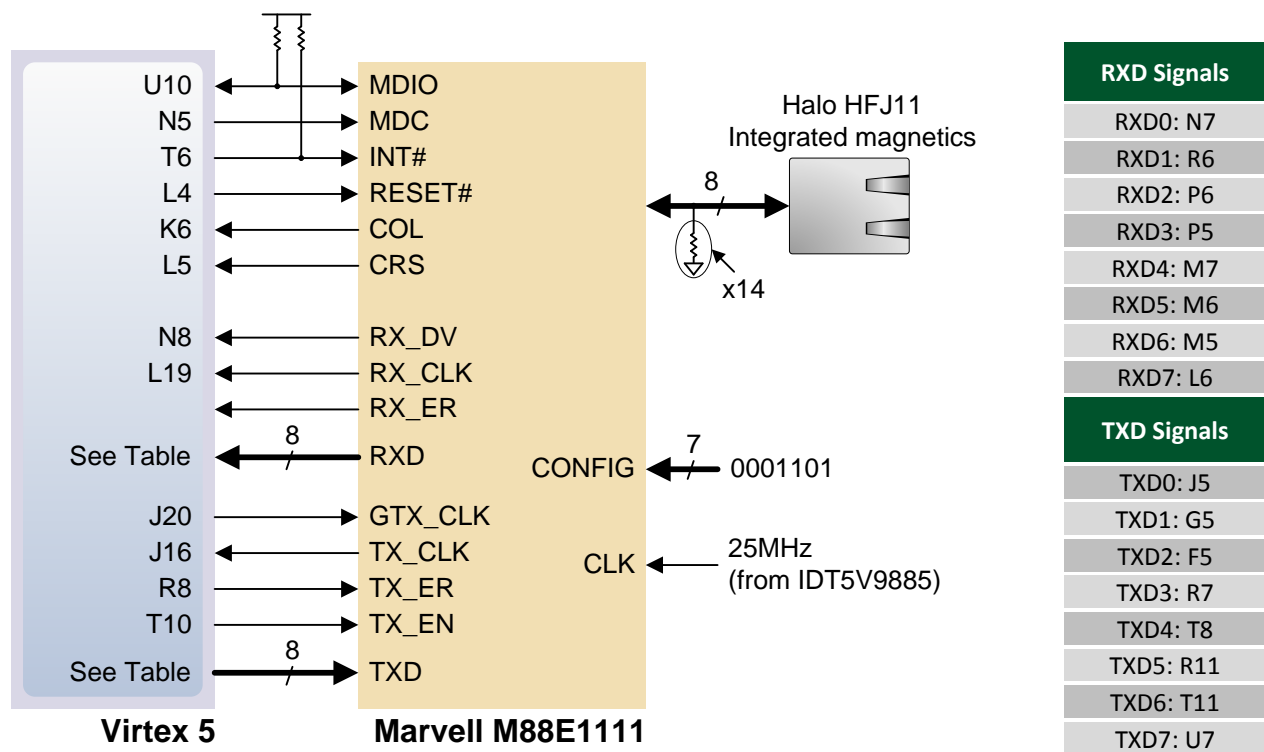
6 Ethernet PHY

The Genesys board includes a Marvell Alaska Tri-mode PHY (the 88E1111) paired with a Halo HFJ11-1G01E RJ-45 connector. Both MII and GMII interface modes are supported at 10/100/1000 Mb/s. Default settings used at power-on or reset are:

- MII/GMII mode to copper interface
- Auto Negotiation Enabled, advertising all speeds, preferring Slave
- MDIO interface selected, PHY MDIO address = 00111
- No asymmetric pause, no MAC pause, automatic crossover enabled
- Energy detect on cable disabled (Sleep Mode disabled), interrupt polarity LOW

The data sheet for the Marvell PHY is available from Marvell only with a valid NDA. Please contact Marvell for more PHY-specific information.

EDK-based designs can access the PHY using either the xps_ethernetlite IP core for 10/100 Mbps designs, or the xps_ll_temac IP core for 10/100/1000 Mbps designs. The xps_ll_temac IP core uses the hard Ethernet MAC hardware core included in the Virtex 5 FPGA.



The Genesys BSB support package automatically generates a test application for the Ethernet MAC; this can be used as a reference for creating custom designs. Another example Ethernet-based design (the web server) can be found on the Digilent website.

ISE designs can use the IP Core Generator wizard to create a tri-mode Ethernet MAC controller IP core.

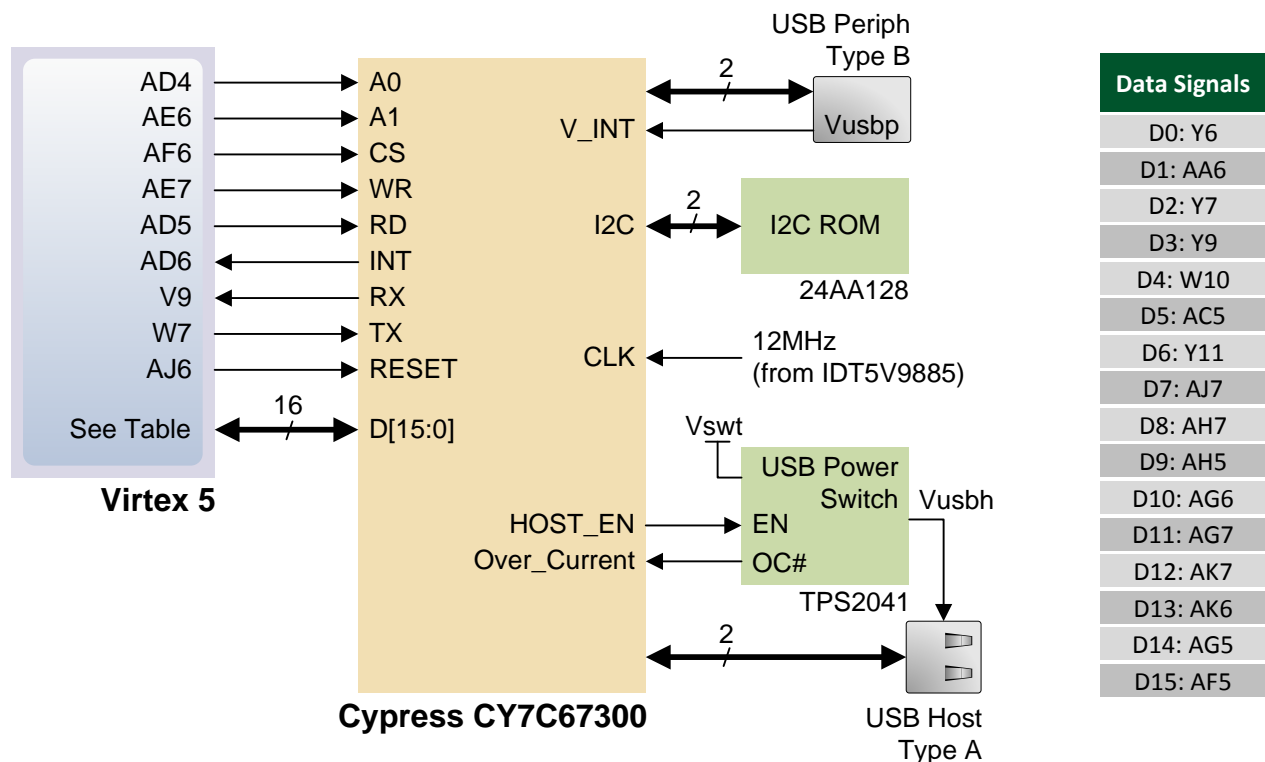
7 USB Host

A Cypress CY7C67300 USB controller provides the Genesys board with USB host and peripheral capability. The CY7C67300 includes two serial interface engines (SIE) that can be used independently. SIE1 is connected to a Type A USB host connector (J8), and SIE2 is connected to a Type B USB peripheral connector (J9).

The USB controller has an internal microprocessor to assist in processing USB commands; a dedicated IIC EEPROM (IC9) is available for storing firmware. Firmware can be developed for the processor and/or written to the EEPROM using the Cypress CY3663 EZ-OTG™/EZ-Host™ development kit available from Cypress.

To assist with debug, the USB controller's two-wire serial port is connected to two FPGA pins (USB-RX to FPGA pin V9, USB-TX to FPGA pin W7) using LVCMOS33 I/O standards. Jumper JP14 can be installed to prevent the USB controller from executing firmware stored in the IIC EEPROM.

To access the USB host controller, EDK designs can use the xps_epc IP core. Reference designs posted on the Digilent website show an example for reading characters from a USB keyboard connected to the USB host interface.



8 Video Output

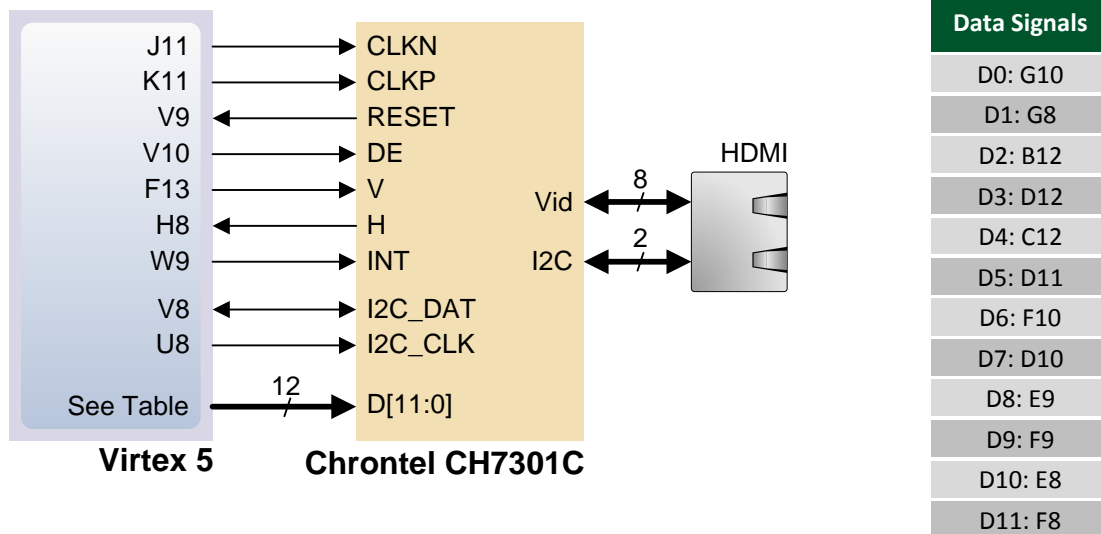
Video output is accomplished using a Chrontel CH7301C DVI transmitter device connected to a standard Type A HDMI connector (J3). DVI and HDMI share a common TMDS signaling standard, so a simple adaptor can be used to convert the HDMI connector to a DVI connector (VGA signals are not available on the HDMI connector).

The Chrontel CH7301C (IC3) supports up to 1600 X 1200 resolutions with 24-bit color. Status and control information can be moved between the FPGA and the CH7301C using an I2C bus (SCL to FPGA pin U8, and SDA to FPGA pin V8, both using the LVCMOS33 I/O standard). The I2C bus is also routed to the HDMI connector to allow direct communications with external monitors.

EDK designs can use the xps_tft IP core (and its associated driver) to access the Chrontel device. The xps_tft core reads video data from the DDR2 memory, and sends it to the Chrontel device for display on an external monitor. The IP core is capable of resolutions of 640X480 at 18 bits per pixel.

An EDK reference design available on the Digilent website (and included as a part of the User Demo) reads a bitmap file from the StartaFlash memory and displays it on the monitor. Another second EDK reference design (included in the User test available though Adept) displays a gradient color bar and a text in the center of the screen.

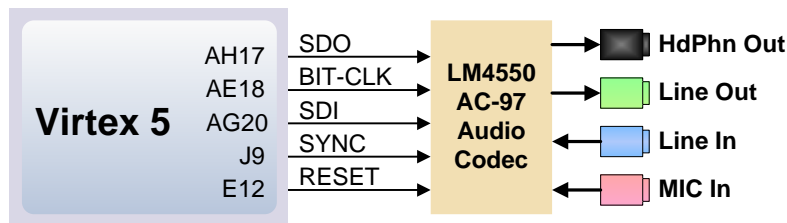
An ISE reference design is available that displays a color bar. This reference design provides an example of using the DVI circuit with an ISE project.



9 Audio (AC-97)

The Genesys board includes a National Semiconductor LM4550 AC '97 audio codec (IC19) with four 1/8" audio jacks for line-out (J16), headphone-out (J18), line-in (J15) and microphone-in (J17). Audio data at up to 18 bits and 48-kHz sampling is supported, and the audio in (record) and audio out (playback) sampling rates can be different. The microphone jack is mono; all other jacks are stereo. The headphone jack is driven by the audio codec's internal 50mW amplifier. The table below summarizes the audio jacks.

The LM4550 audio codec is compliant to the AC '97 v2.1 (Intel) standard and is connected as a Primary Codec (ID1 = 0, ID0 = 0). The table below shows the AC '97 codec control and data signals. All signals are LVCMOS33.

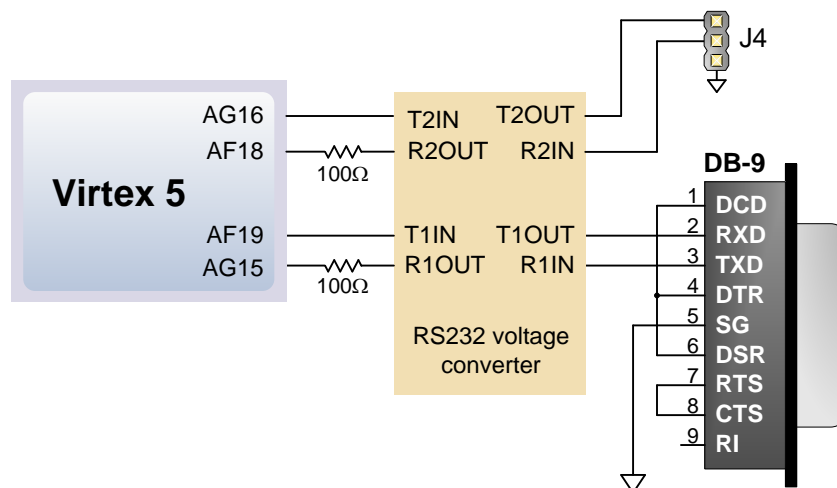


Signal Name	FPGA Pin	Pin Function
AUD-BIT-CLK	AH17	12.288MHZ serial clock output, driven at one-half the frequency of the 24.576MHz crystal input (XTL_IN)
AUD-SDI	AE18	Serial Data In (to the FPGA) from the codec. SDI data consists of AC '97 Link Input frames that contain both configuration and PCM audio data. SDI data is driven on the rising edge of AUD-BIT-CLK.
AUD-SDO	AG20	Serial Data Out (to the codec) from the FPGA. SDO data consists of AC '97 Link Output frames that contain both configuration and DAC audio data. SDO is sampled by the LM4550 on the falling edge of AUD-BIT-CLK.
AUD-SYNC	J9	AC Link frame marker and Warm Reset. SYNC (input to the codec) defines AC Link frame boundaries. Each frame lasts 256 periods of AUD-BIT-CLK. SYNC is normally a 48kHz positive pulse with a duty cycle of 6.25% (16/256). SYNC is sampled on the rising edge of AUD-BIT-CLK, and the codec takes the first positive sample of SYNC as defining the start of a new AC Link frame. If a subsequent SYNC pulse occurs within 255 AUD-BIT-CLK periods of the frame start it will be ignored. SYNC is also used as an active high input to perform an (asynchronous) Warm Reset. Warm Reset is used to clear a power down state on the codec AC Link interface
AUD-RESET	E12	Cold Reset. This active low signal causes a hardware reset which returns the control registers and all internal circuits to their default conditions. RESET must be used to initialize the LM4550 after Power On when the supplies have stabilized. RESET also clears the codec from both ATE and Vendor test modes. In addition, while active, it switches the PC_BEEP mono input directly to both channels of the LINE_OUT stereo output.

The EDK reference design (available on the Digilent website) leverages our custom AC-97 pcore to accomplish several standard audio processing tasks such as recording and playing back audio data.

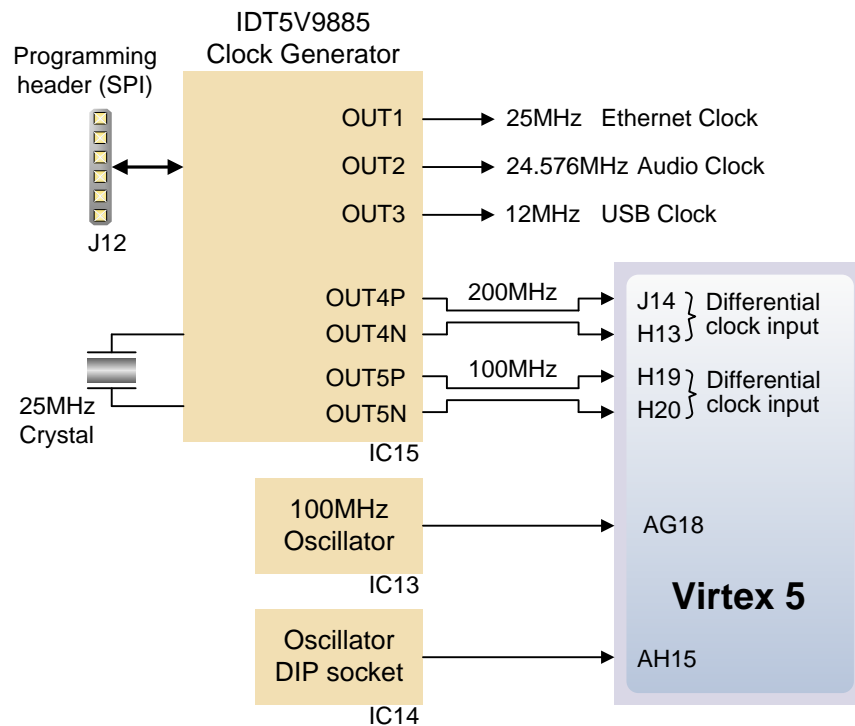
10 Serial Port

The Genesys board hosts two 2-wire RS-232 serial ports, one with a DB9F connector (for a DTE connection), and one with a three-pin 100-mil header connector (including TX, RX, and GND). An ST3232 level-shifting buffer is used to provide RS-232 signal levels on both ports. The serial port, supported by standard EDK IP, is useful for user-data transfers as well as embedded processor debugging.



11 Oscillators/Clocks

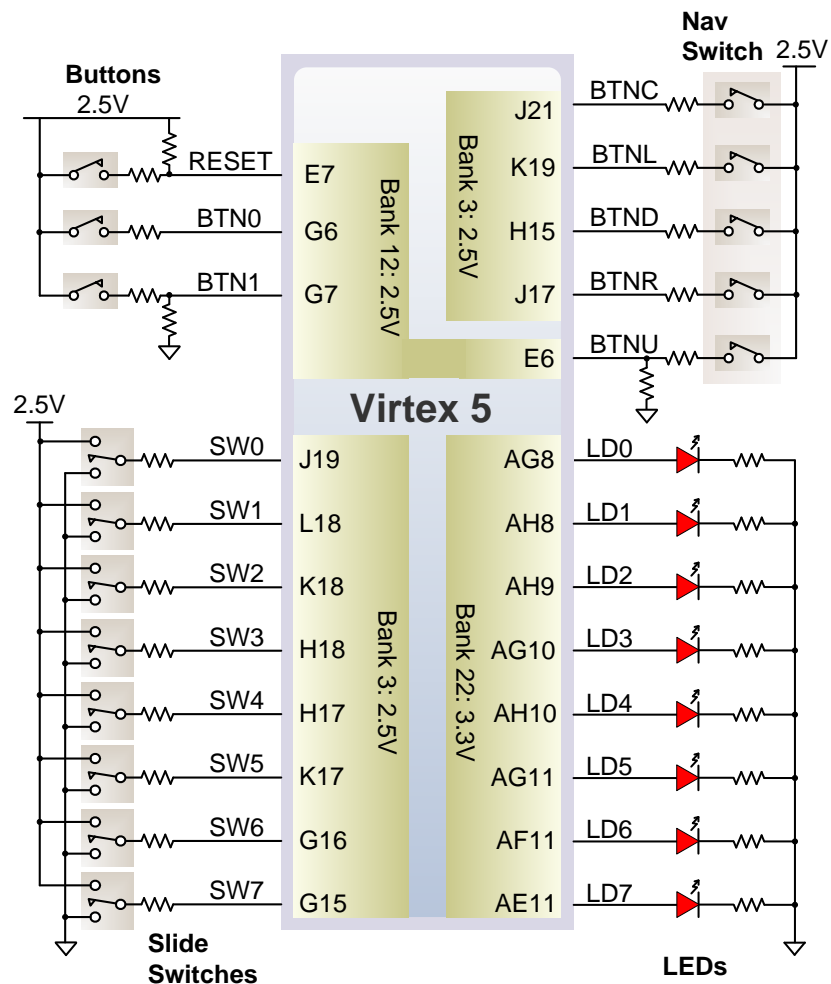
The Genesys board has several clock sources available, including a 3.3V 100MHz crystal oscillator, a socket for a user-supplied half-size DIP oscillator, and two high-speed and highly stable differential clock sources produced by an IDT 5V9885 programmable clock generator. The IDT clock generator is programmed during manufacturing to produce several clocks required by the Genesys board, including a 25MHz clock for the Ethernet PHY, a 24.576MHz clock for the Audio codec, a 12MHz clock for the USB circuit, and two differential clocks (100MHz and 200MHz) for use by user circuits in the FPGA.



The IDT clock generator chip is JTAG programmable using iMPACT. If users change the factory default configuration of the clock generator, reference designs and automated tests might not work as designed. The same IDT5V9885 configuration file used during board manufacturing is available from the Digilent website and it can be used to restore the IDT default settings.

12 Basic I/O

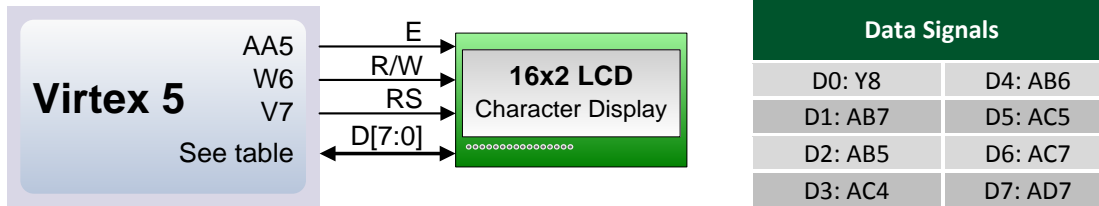
Genesys includes three pushbuttons, a navigation switch comprised of five pushbuttons packaged in a two-axis rocker switch, eight slide switches, and eight LEDs for basic digital input and output. The buttons, navigation switch, and slide switches are connected to the FPGA via series resistors to prevent damage from short circuits. The high efficiency LED anodes are connected to a 3.3V bank on the FPGA via 390-ohm resistors, so they are illuminated by about a 1mA current when a logic high is placed on the corresponding pin.



13 Character LCD

The Genesys board contains a standard 2x16 character LCD, typified by the Powertip 1602D (see www.powertip.com.tw). The display uses a Sitronix ST7066U or compatible controller. Pertinent parts of the controller data sheet are recreated below. Please refer to the vendor data sheet for more detailed information.

The LCD controller contains a character-generator ROM (CGROM) with 208 preset 5x8 character patterns, a character-generator RAM (CGRAM) that can hold eight user-defined 5x8 characters, and a display data RAM (DDRAM) that can hold 80 character codes. Character codes written into the DDRAM serve as indexes into the CGROM (or CGRAM). Writing a character code into a particular DDRAM location will cause the associated character to appear at the corresponding display location. Display positions can be shifted left or right by setting a bit in the instruction register (IR). The write-only IR directs display operations (such as clear display, shift left or right, set DDRAM address, etc). Available instructions (and the associated IR codes) are shown in the right-most column of the "LCD Instructions and Codes" table below. A busy flag shows whether the display has completed the last requested operation; prior to initiating a new operation, the flag can be checked to see if the previous operation has been completed.



The display has more DDRAM locations than can be displayed at any given time. DDRAM locations 00H to 27H map to the first display row, and locations 40H to 67H map to the second row. Normally, DDRAM location 00H maps to the upper left display corner, and 40H to the lower left. Shifting the display left or right can change this mapping. The display uses a temporary data register (DR) to hold data during DDRAM /CGRAM reads or writes, and an internal address register to select the RAM location. Address register contents, set via the IR, are automatically incremented after each read or write operation. RAM read/write requests will be directed to DDRAM or CGRAM, depending on which address register was most recently accessed. The LCD display uses ASCII character codes. Codes up through 7F are standard ASCII (which includes all "normal" alphanumeric characters). Codes above 7F produce various international characters – please see the Sitronix ST7066U data sheet for more information on international codes.

The display is connected to the Vitex FPGA by a 16-pin connector (pins 15 and 16 are for an optional backlight, and they are not used). The 14-pin interface includes eight data signals, three control signals, and three voltage supply signals. The eight bidirectional data bus signals communicate data to the control registers or RAM locations. The RS (Register Strobe) signal clocks data into registers or into RAM, the R/W signal determines bus direction, and the E (Enable) signal enables the bus for read or write operations. LCD bus signals and timings are illustrated below.

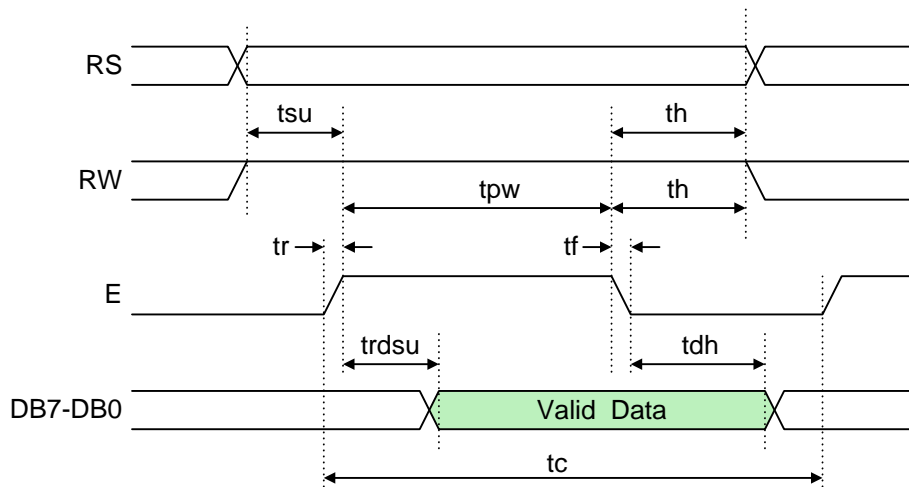
LCD Signals			
Signal	LCD Pin	FPGA Pin	Signal Description
Vss	1		Ground
Vdd	2		5V Power Supply
Vo	3		Contrast Voltage (typically 100mV-200mV at 20C)
RS	4	V7	Register select: high for data, low for instructions
R/W	5	W6	Read/write signal: high for read, low for write
E	6	AA5	Read/write: high for OE; falling edge writes data
DB0	7	Y8	Bidirectional data bus 0
DB1	8	AB7	Bidirectional data bus 1
DB2	9	AB5	Bidirectional data bus 2
DB3	10	AC4	Bidirectional data bus 3
DB4	11	AB6	Bidirectional data bus 4
DB5	12	AC5	Bidirectional data bus 5
DB6	13	AC7	Bidirectional data bus 6
DB7	14	AD7	Bidirectional data bus 7

A startup sequence with specific timings ensures proper LCD operation. After power-on, at least 20ms must elapse before the function-set instruction code can be written to set the bus width, number of lines, and character patterns (8-bit interface, 2 lines, and 5x8 dots are appropriate). After the function-set instruction, at least 37 μ s must elapse before the display-control instruction can be written (to turn the display on, turn the cursor on or off, and set the cursor to blink or no blink). After another 37 μ s, the display-clear instruction can be issued. After another 1.52ms, the entry-mode instruction can set address increment (or address decrement) mode, and display

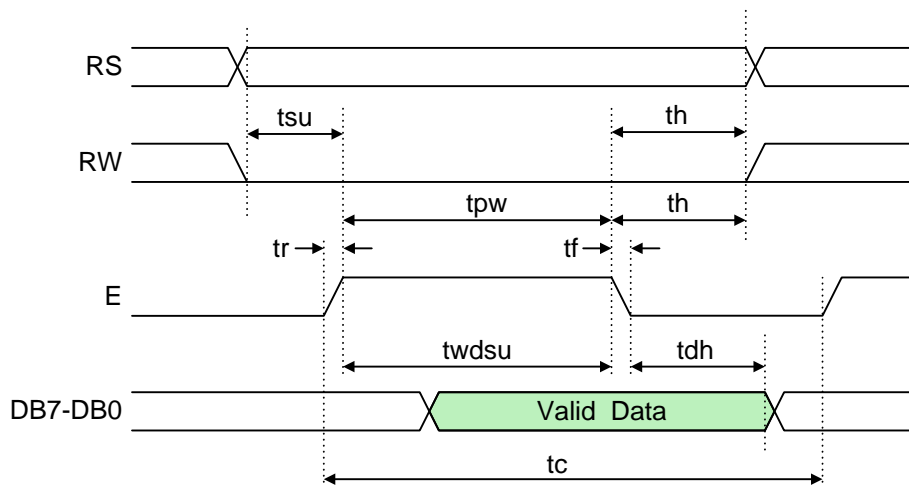
shift mode (on or off). After this sequence, data can be written into the DDRAM to cause information to appear on the display.

LCD Instructions and Codes												
Instruction	Instruction Bit Assignments										Description	
	RS	R/W	DB 7	DB 6	DB 5	DB 4	DB 3	DB 2	DB 1	DB 0		
Clear Display	0	0	0	0	0	0	0	0	0	0	1	Clear display, set DDRAM address register to 00H, and return cursor to home. 1.52ms
Return Home	0	0	0	0	0	0	0	0	0	1	X	Return cursor to upper left, set DDRAM address to 0H. DDRAM contents not changed. 1.52ms
Entry Mode Set	0	0	0	0	0	0	0	0	1	I/D	SH	I/D = '1' for right-moving cursor and address increment, SH = '1' for display shift (direction set by I/D bit). 37us
Display ON/OFF Control	0	0	0	0	0	0	0	1	D	C	B	Set display (D), cursor (C), and blinking cursor (B) on or off ('1' in all bits for "on"). 37us
Cursor or Display Shift	0	0	0	0	0	0	1	S/C	R/L	X	X	S/C = '0' to shift <i>cursor</i> right or left, '1' to shift <i>entire display</i> right or left. R/L = '1' for right. 37us
Function Set	0	0	0	0	1	DL	N	F	X	X	X	Set interface data length (DL = '1' for 8 bit), number of display lines (N = '1' for 2 lines), display font (F = '0' for 5x 8 dots). 37us
Set CGRAM Address	0	0	0	1	AC5	AC4	AC3	AC2	AC1	AC0	AC0	Set CGRAM address counter. 37us
Set DDRAM Address	0	0	1	AC6	AC5	AC4	AC3	AC2	AC1	AC0	AC0	Set DDRAM address counter. 37us
Read Busy Flag/ Address	0	1	BF	AC6	AC5	AC4	AC3	AC2	AC1	AC0	AC0	Read busy flag and address counter. 0us
Write Data to RAM	1	0	D7	D6	D5	D4	D3	D2	D1	D0	D0	Write data into DDRAM or CGRAM, depending on which address was last set. 37us
Read Data from RAM	1	1	D7	D6	D5	D4	D3	D2	D1	D0	D0	Read data from DDRAM or CGRAM, depending on which address was last set. 37us

13.1 Reading Data from LCD

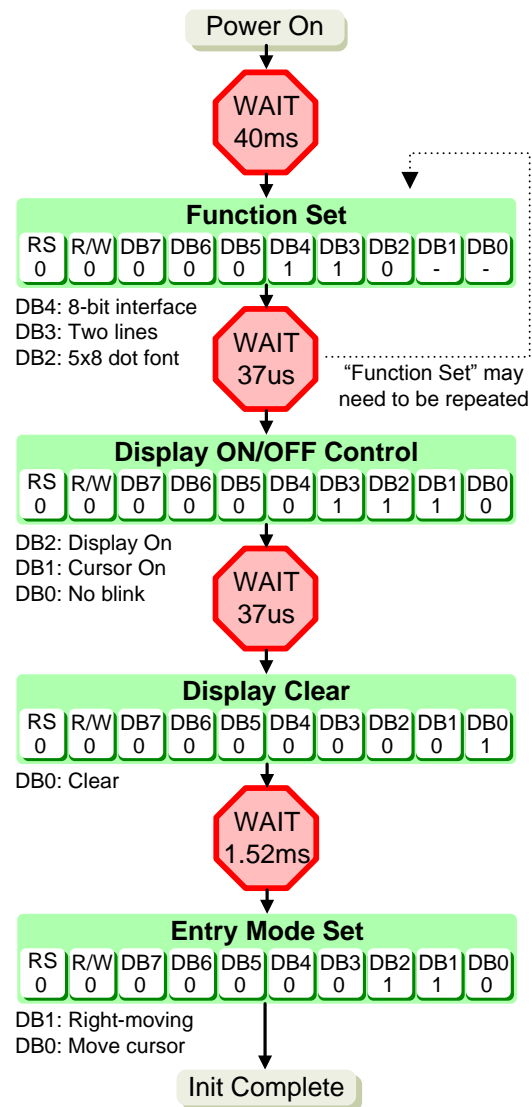


13.2 Writing Data to LCD



LCD Bus Timings

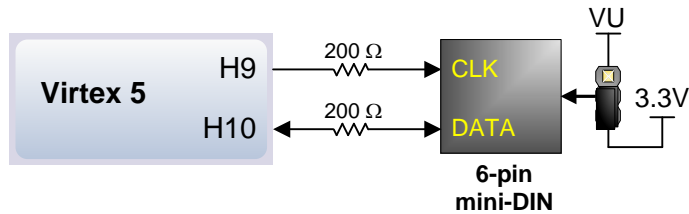
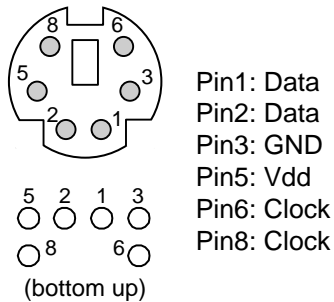
Parameter	Symbol	Min	Max	Unit	Pin
Enable cycle time	tc	1200		ns	E
Enable High pulse width	tw	480		ns	E
Enable rise/fall time	tr, tf		25	ns	E
RS, R/W setup time	tsu	0		ns	RS, R/W
RS, R/W hold time	th	10		ns	RS, R/W
Read data setup	trdsu	60	320	ns	DB0-DB7
Data hold time	tdh	300		ns	DB0-DB7
Write data setup time	twdsu	80		ns	DB0-DB7



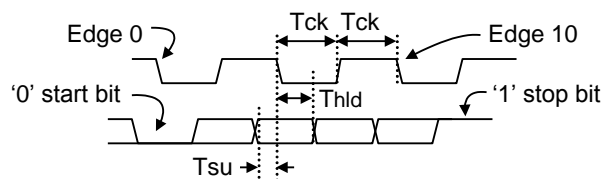
LCD Start-Up Sequence

14 PS/2 Port

The 6-pin mini-DIN connector can accommodate a PS/2 mouse or keyboard. Most PS/2 devices can operate from a 3.3V supply, but older devices may require a 5VDC supply. A 3-pin jumper on the immediately adjacent to the PS/2 connector selects whether regulated 3.3V or the main input power bus voltage (VU) is supplied to the PS/2 connector. To send 5V to the PS/2 connector, set the PS2 power jumper to VU (the main input power bus), and ensure the board is powered from USB or a 5VDC wall-plug supply. To send 3.3V to the connector, set the jumper to 3.3V.



Both the mouse and keyboard use a two-wire serial bus (clock and data) to communicate with a host device. Both use 11-bit words that include a start, stop, and odd parity bit, but the data packets are organized differently, and the keyboard interface allows bi-directional data transfers (so the host device can illuminate state LEDs on the keyboard). Bus timings are shown in the figure. The clock and data signals are only driven when data transfers occur, and otherwise they are held in the "idle" state at logic '1'. The timings define signal requirements for mouse-to-host communications and bi-directional keyboard communications. A PS/2 interface circuit can be implemented in the FPGA to create a keyboard or mouse interface.



Symbol	Parameter	Min	Max
T_{CK}	Clock time	30us	50us
T_{SU}	Data-to-clock setup time	5us	25us
T_{HLD}	Clock-to-data hold time	5us	25us

14.1 Keyboard

The keyboard uses open-collector drivers so the keyboard or an attached host device can drive the two-wire bus (if the host device will not send data to the keyboard, then the host can use input-only ports).

PS/2-style keyboards use scan codes to communicate key press data. Each key is assigned a code that is sent whenever the key is pressed; if the key is held down, the scan code will be sent repeatedly about once every 100ms. When a key is released, an "F0" key-up code is sent, followed by the scan code of the released key. If a key can be "shifted" to produce a new character (like a capital letter), then a shift character is sent in addition to the scan code, and the host must determine which ASCII character to use. Some keys, called extended keys, send an "E0" ahead of the scan code (and they may send more than one scan code). When an extended key is released, an "E0 F0" key-up code is sent, followed by the scan code. Scan codes for most keys are shown in the figure. A host device can also send data to the keyboard. Below is a short list of some common commands a host might send.

- ED Set Num Lock, Caps Lock, and Scroll Lock LEDs. Keyboard returns "FA" after receiving "ED", then host sends a byte to set LED status: bit 0 sets Scroll Lock; bit 1 sets Num Lock; and bit 2 sets Caps lock. Bits 3 to 7 are ignored.
- EE Echo (test). Keyboard returns "EE" after receiving "EE".
- F3 Set scan code repeat rate. Keyboard returns "F3" on receiving "FA", then host sends second byte to set the repeat rate.

FE Resend. "FE" directs keyboard to re-send most recent scan code.

FF Reset. Resets the keyboard.

The keyboard can send data to the host only when both the data and clock lines are high (or idle). Since the host is the "bus master", the keyboard must check to see whether the host is sending data before driving the bus. To facilitate this, the clock line is used as a "clear to send" signal. If the host pulls the clock line low, the keyboard must not send any data until the clock is released. The keyboard sends data to the host in 11-bit words that contain a '0' start bit, followed by 8-bits of scan code (LSB first), followed by an odd parity bit and terminated with a '1' stop bit. The keyboard generates 11 clock transitions (at around 20 - 30KHz) when the data is sent, and data is valid on the falling edge of the clock.

Scan codes for most PS/2 keys are shown in the figure below.

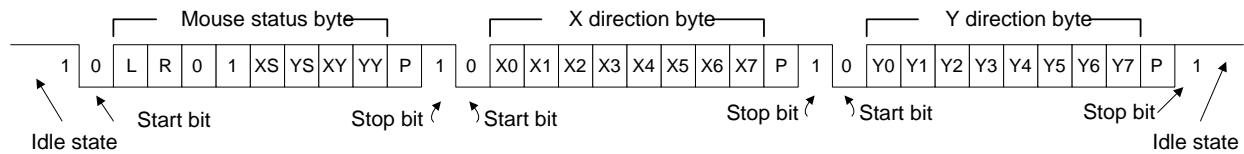
ESC 76	F1 05	F2 06	F3 04	F4 0C	F5 03	F6 0B	F7 83	F8 0A	F9 01	F10 09	F11 78	F12 07	↑ E0 75	
~ 0E	1! 16	2@ 1E	3# 26	4\$ 25	5% 2E	6^ 36	7& 3D	8* 3E	9(46	0) 45	-_ 4E	=+ 55	BackSpace ← 66	→ E0 74
TAB 0D	Q 15	W 1D	E 24	R 2D	T 2C	Y 35	U 3C	I 43	O 44	P 4D	[{ 54]} 5B	\ 5D	← E0 6B
Caps Lock 58	A 1C	S 1B	D 23	F 2B	G 34	H 33	J 3B	K 42	L 4B	::; 4C	"' 52	Enter ↵ 5A	↓ E0 72	
Shift 12	Z 1Z	X 22	C 21	V 2A	B 32	N 31	M 3A	,< 41	>. 49	/? 4A	↑ Shift 59			
Ctrl 14	Alt 11	Space 29						Alt E0 11	Ctrl E0 14					

PS/2 Keyboard Scan Codes.

14.2 Mouse

The mouse outputs a clock and data signal when it is moved; otherwise, these signals remain at logic '1'. Each time the mouse is moved, three 11-bit words are sent from the mouse to the host device. Each of the 11-bit words contains a '0' start bit, followed by 8 bits of data (LSB first), followed by an odd parity bit, and terminated with a '1' stop bit. Thus, each data transmission contains 33 bits, where bits 0, 11, and 22 are '0' start bits, and bits 11, 21, and 33 are '1' stop bits. The three 8-bit data fields contain movement data as shown in the figure above. Data is valid at the falling edge of the clock, and the clock period is 20 to 30KHz.

The mouse assumes a relative coordinate system wherein moving the mouse to the right generates a positive number in the X field, and moving to the left generates a negative number. Likewise, moving the mouse up generates a positive number in the Y field, and moving down represents a negative number (the XS and YS bits in the status byte are the sign bits – a '1' indicates a negative number). The magnitude of the X and Y numbers represent the rate of mouse movement – the larger the number, the faster the mouse is moving (the XV and YV bits in the status byte are movement overflow indicators – a '1' means overflow has occurred). If the mouse moves continuously, the 33-bit transmissions are repeated every 50ms or so. The L and R fields in the status byte indicate Left and Right button presses (a '1' indicates the button is being pressed).



Mouse data format.

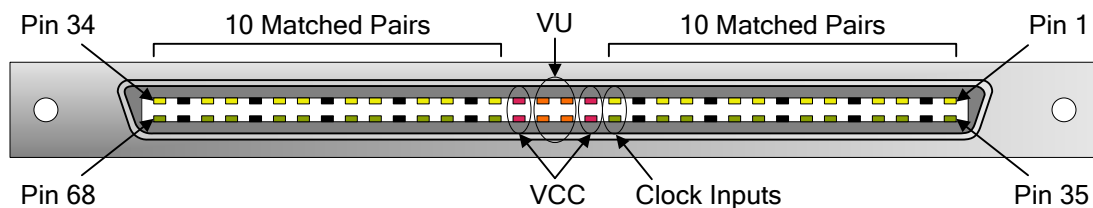
15 Expansion Connectors

The Genesys board offers two 68-pin VHDC connectors for high-speed parallel I/O, and four 8-pin Pmod ports for lower speed and lower pin-count I/O. Data sheets for VHDC connectors can be found on the Digilent website and on many vendor and distributor websites as well.

The VHDC connectors include 40 data signals (routed as 20 impedance-controlled matched pairs), 20 grounds (one per pair), and eight power signals. These connectors, commonly used for SCSI-3 applications, can accommodate data rates of several hundred megahertz on every pin. Both board-to-board and board-to-cable mating connectors are available. Digilent and several distributors carry mating connectors and cables of various lengths.

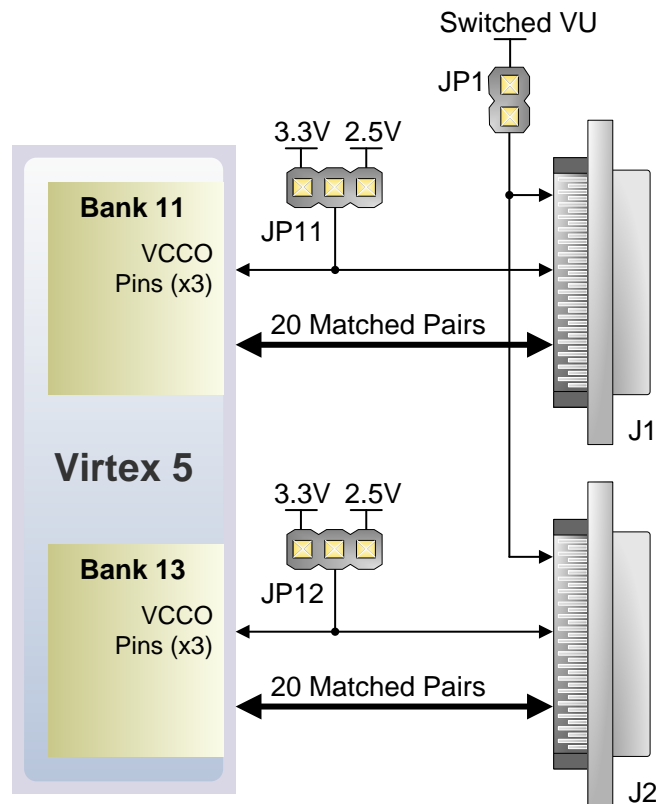
External circuits connected the VHDC expansion connectors can receive 2.5V or 3.3V supplies from Genesys, depending on the position of power supply selection jumpers. Jumper JP11 selects the voltage provided to VHDC connector J1 and the associated FPGA I/O bank 11, and jumper JP12 selects the supply for VHDC connector J2 and FPGA I/O bank 12 (all I/O's to the connectors are routed as matched pairs to support LVDS signaling). The VHDC connectors also include two pins connected directly to in the input voltage VSWT; jumper JP1 can break that connection if required.

The VHDC connectors, labeled J1 and J2 on the first page of the schematic, use symmetrical pinouts (as reflected around the vertical axis of the physical connector) so that peripheral boards as well as other system boards can be connected. Connector pins 15 and 49 are routed to FPGA clock input pins.



The Genesys board's unregulated input voltage (VU) is routed to the four center pins of the connector, providing up to 1A of current (250mA per pin) to connected boards. VU is routed to the connectors through the main power switch, and through jumper JP1 (so that VU can be removed from peripheral boards if desired).

All I/O pins on connector J1 are routed to FPGA I/O bank 11, and all I/O pins on connector J2 are routed to FPGA I/O bank 13. The VCC voltage driving these I/O banks is also routed to four VCC pins on each connector, using pins immediately distal to the four VU pins. The shared I/O bank and connector VCC may be set to 3.3V, 2.5V, left unconnected or driven from an external source using jumpers JP11 (J1) and JP12 (J2).

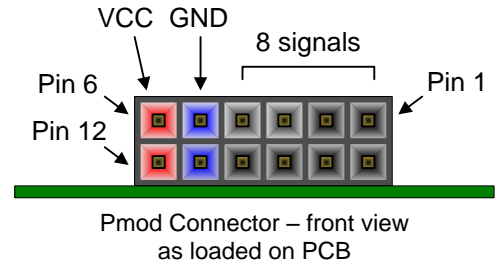
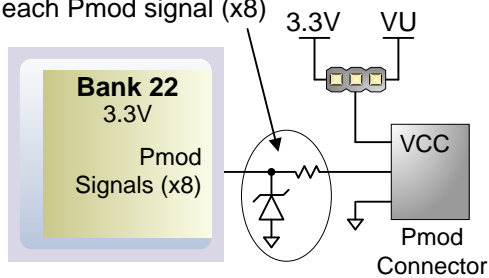


VHDC Connector J1				VHDC Connector J2			
Name	Pin	Name	Pin	Name	Pin	Name	Pin
IO1-P	B32	IO1-N	A33	IO21-P	W34	IO21-N	V34
IO2-P	C32	IO2-N	D32	IO22-P	V32	IO22-N	V33
IO3-P	B33	IO3-N	C33	IO23-P	AA34	IO23-N	Y34
IO4-P	E32	IO4-N	E33	IO24-P	Y33	IO24-N	AA33
IO5-P	C34	IO5-N	D34	IO25-P	AC33	IO25-N	AB33
IO6-P	G32	IO6-N	H32	IO26-P	Y32	IO26-N	W32
IO7-P	F33	IO7-N	E34	IO27-P	AC34	IO27-N	AD34
IO8-P	J32	IO8-N	H33	IO28-P	AC32	IO28-N	AB32
IO9-P	G33	IO9-N	F34	IO29-P	AF34	IO29-N	AE34
IO10-P	K33	IO10-N	K32	IO30-P	AF33	IO30-N	AE33
IO11-P	H34	IO11-N	J34	IO31-P	AG33	IO31-N	AH33
IO12-P	L34	IO12-N	K34	IO32-P	AH34	IO32-N	AJ34
IO13-P	L33	IO13-N	M32	IO33-P	AD32	IO33-N	AE32
IO14-P	N33	IO14-N	M33	IO34-P	AK34	IO34-N	AK33
IO15-P	P32	IO15-N	N32	IO35-P	AG32	IO35-N	AH32
IO16-P	P34	IO16-N	N34	IO36-P	AM33	IO36-N	AM32
IO17-P	R33	IO17-N	R32	IO37-P	AJ32	IO37-N	AK32
IO18-P	T33	IO18-N	R34	IO38-P	AN34	IO38-N	AN33
IO19-P	U32	IO19-N	U31	IO39-P	AL34	IO39-N	AL33
IO20-P	U33	IO20-N	T34	IO40-P	AN32	IO40-N	AP32

Pmods use 2x6 right-angle, 100-mil connectors that mate with standard 2x6 pin headers available from a variety of catalog distributors. Each 12-pin Pmod port provides two VCC signals (pins 6 and 12), two Ground signals (pins 5 and 11), and eight logic signals. VCC and Ground pins can deliver up to 1A of current, and a jumper block is

available for each connector to choose the VCC voltage: regulated 3.3V or the unregulated board input voltage (VU). Pmod data signals are not matched pairs, and they are routed using best-available tracks without impedance control or delay matching.

ESD/protection circuit on each Pmod signal (x8)



Digilent produces a large collection of accessory boards that can attach to the Pmod and VHDC expansion connectors to add ready-made functions like A/D's, D/A's, motor drivers, sensors, cameras and other functions. See www.digilentinc.com for more information.

Pmod A		Pmod B		Pmod C		Pmod D	
Signal	Pin	Signal	Pin	Signal	Pin	Signal	Pin
JA1	AD11	JB1	AE9	JC1	AL11	JD1	AN14
JA2	AD9	JB2	AC8	JC2	AJ10	JD2	AN13
JA3	AM13	JB3	AB10	JC3	AK9	JD3	AP12
JA4	AM12	JB4	AC9	JC4	AF9	JD4	AL10
JA7	AD10	JB7	AF8	JC7	AK11	JD7	AP14
JA8	AE8	JB8	AB8	JC8	AC10	JD8	AN12
JA9	AF10	JB9	AA10	JC9	AJ9	JD9	AM11
JA10	AJ11	JB10	AA9	JC10	AA8	JD10	AK8

Pmod port pinouts.

16 System Monitor

The Genesys board supports the dedicated analog inputs (VP and VN pins on J13) to the Virtex 5 FPGA System Monitor block. The PCB layout for the VP and VN pins is designed using differential pairs and anti-alias filtering in close proximity to the FPGA as recommended in the *Virtex 5 FPGA System Monitor User Guide*. The Virtex 5 FPGA System Monitor function is built around a 10-bit, 200-kSPS Analog-to-Digital Converter (ADC). The System Monitor is fully functional on power up, and measurement data can be accessed via the JTAG port pre-configuration. The Xilinx ChipScope™ Pro tool provides access to the System Monitor over the JTAG port. The System Monitor control logic implements some common monitoring features. For example, an automatic channel sequencer allows a user-defined selection of parameters to be automatically monitored, and user-programmable averaging is enabled to ensure robust noise-free measurements.

The System Monitor also provides user-programmable alarm thresholds for the on-chip sensors. Thus, if an on-chip monitored parameter moves outside the user-specified operating range, an alarm logic output becomes active. In addition to monitoring the on-chip temperature for user-defined applications, the System Monitor issues a special alarm called Over-Temperature (OT) if the FPGA temperature becomes critical (> 125°C). The OT signal is

deactivated when the device temperature falls below a user specified lower limit. If the FPGA power-down feature is enabled, the FPGA enters power down when the OT signal becomes active. The FPGA powers up again when the alarm is deactivated. For additional information about the System Monitor, see <http://www.xilinx.com/systemmonitor> and consult the *Virtex 5 FPGA System Monitor User Guide*. The table below shows the System Monitor connections.

J13 Pin	Signal	Function
1	DXP	Anode of the FPGA temperature-sensing diode
2	VP	System Monitor dedicated differential analog input (positive side)
3	DXN	Cathode of the FPGA temperature-sensing diode
4	VN	System Monitor dedicated differential analog input (negative side)
5	GND	
6	GND	

17 Built-In Self Test

A demonstration configuration is loaded into the StrataFlash ROM on the Genesys board during manufacturing. This demo, also available on the Digilent website, can serve as a board verification test since it interacts with all devices and ports on the board. To configure the FPGA from the demo file stored in StrataFlash, set the mode jumper to BPI UP and cycle power. When Genesys powers up, the DDR is tested, and then an image file will be transferred from the StrataFlash into DDR2. This image will be driven out the HDMI port for display on a DVI/HDMI compatible monitor. The slide switches are connected to the user LEDs, and user buttons BTN0, BTN1, and BTN3 cause varying sine-wave frequencies to be driven on the LINE IN and LINE OUT audio ports. The LCD screen (DISP1) will initially display "Genesys User Demo / BIST" on startup, and then display text whenever the state of a user button or switch is changed.

If the self test is not resident in the StrataFlash ROM, it can be programmed into the FPGA or reloaded into the ROM using the Adept programming software.

All Genesys boards are 100% tested during the manufacturing process. If any device on the Genesys board fails test or is not responding properly, it is likely that damage occurred during transport or during use. Typical damage includes stressed solder joints and contaminants in switches and buttons resulting in intermittent failures. Stressed solder joints can be repaired by reheating and reflowing solder, and contaminants can be cleaned with off-the-shelf electronics cleaning products. If a board fails test within the warranty period, it will be replaced at no cost. If a board fails test outside of the warranty period and cannot be easily repaired, Digilent can repair the board or offer a discounted replacement. Contact Digilent for more details.