



## Certifications & Ratings

- RoHS compliant

## Application

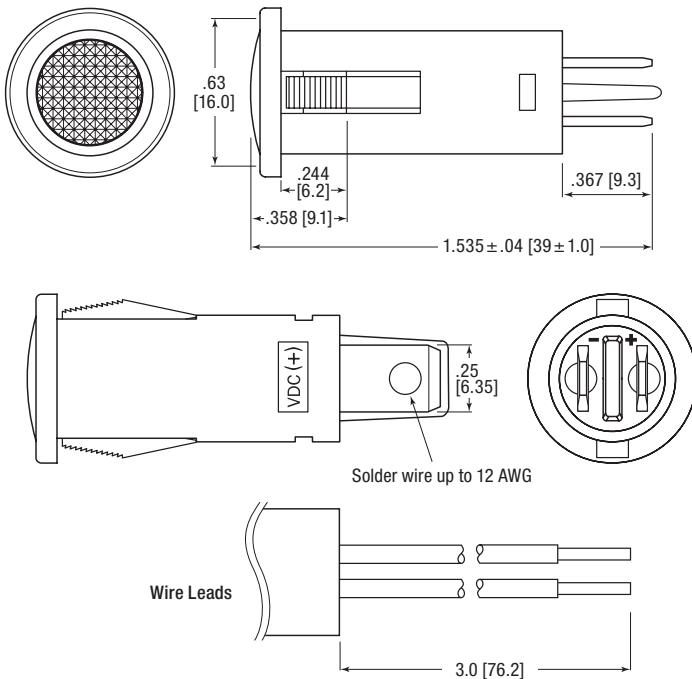
The 655 Series LED Panel Mount Indicators are designed for a variety of applications such as.

- Main power indication
  - Remote power indication
  - Status indication
  - Maintenance and warning indication
  - Instrumentation
- ... and many more!

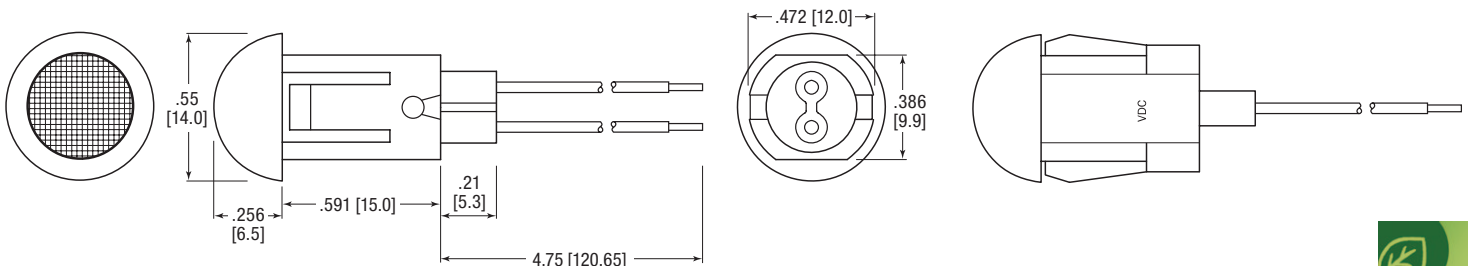
## Dimensions

inches [mm]

### Flat Lens



### Domed Lens



## Mechanical Information

**Mounting Hole Size:** 0.50" (12.7 mm)

**Max Panel Thickness:** 0.138" (3.5 mm) (Domed Lens);  
0.216" (5.5 mm) (Flat Lens)

## Specifications

**Voltage Options:** 12 & 24 VDC

**Operating temp:** -20 °C to +85 °C (-4 °F to +185 °F)

**Storage Temp:** -20 °C to +85 °C (-4 °F to +185 °F)

**Electrical Connection:** Solder terminals (Flat Lens only)  
or wire leads

**Housing:** Polycarbonate

**Terminals:** Brass—Nickel Plated (Flat Lens only)

**Wire Leads:** 18 AWG (Flat Lens),  
26 AWG (Domed Lens)



## Ordering Information 655 Series

Part Number Guide										RoHS Compliant				
6	5	5	-	X	X	X	X	-	1	0	X	F		
				Lens Style						Voltage		Termination		
				Flat		1						3		Wire Leads
				Domed		2						4		Solder Terminals (Flat Lens only)
								Color						
				1		0		● Red						
				2		0		● Green						
				3		0		● Yellow						
				4		0		● Blue						

Dialight P/N		Color	Voltage (VDC)	Current (mA)	Typical Intensity (mcd)
Wire Leads	Solder Terminals				

### Flat Lens

655-1103-103F	655-1103-104F	● Red	12	20	70
655-1203-103F	655-1203-104F	● Green			120
655-1303-103F	655-1303-104F	● Yellow			100
655-1403-103F	655-1403-104F	● Blue			70
655-1104-103F	655-1104-104F	● Red	24		70
655-1204-103F	655-1204-104F	● Green			120
655-1304-103F	655-1304-104F	● Yellow			100
655-1404-103F	655-1404-104F	● Blue			70

### Domed Lens

655-2103-103F	NA	● Red	12	20	70
655-2203-103F	NA	● Green			140
655-2303-103F	NA	● Yellow			45
655-2403-103F	NA	● Blue			50
655-2104-103F	NA	● Red	24		70
655-2204-103F	NA	● Green			140
655-2304-103F	NA	● Yellow			45
655-2404-103F	NA	● Blue			50

Dialight reserves the right to make changes at any time in order to supply the best product possible. The most current version of this document will always be available at: [www.dialightsignalsandcomponents.com](http://www.dialightsignalsandcomponents.com)

**Warranty Statement:** Except for the warranty expressly provided for [herein/above/below], Dialight disclaims any and all other warranties, express or implied, including, without limitation, any warranties of merchantability, fitness for a particular purpose, title, and noninfringement.