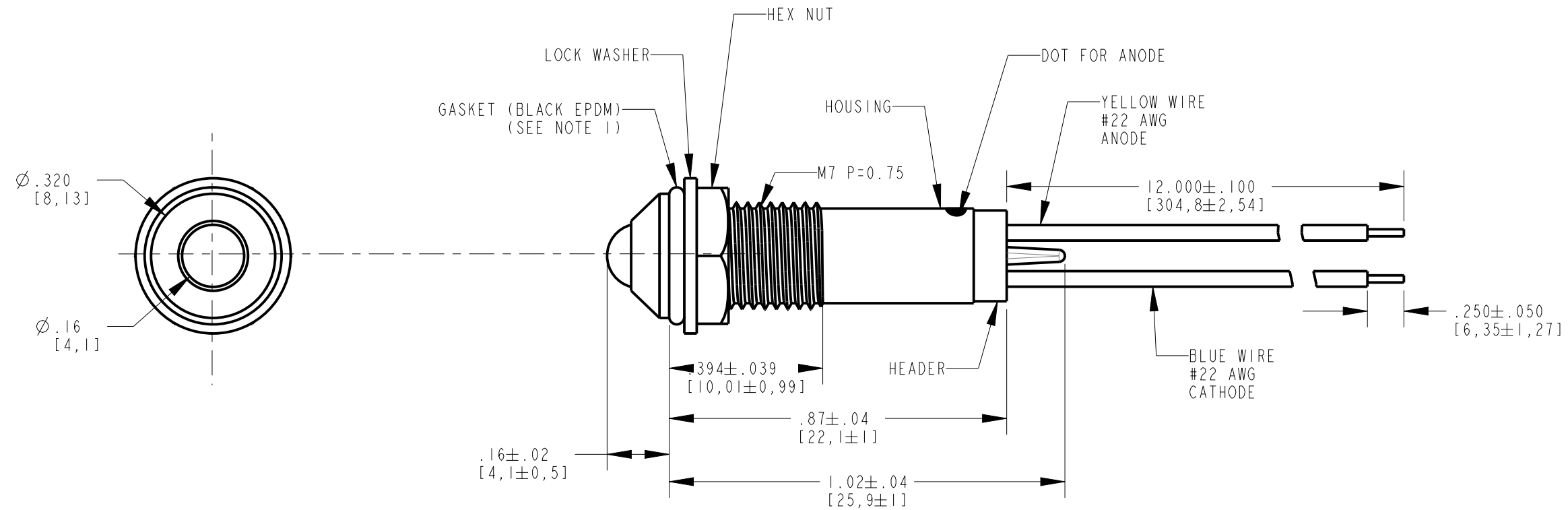


REV	ECN NO	REVISIONS	DRN	CKD	APP	DATE
A	—	NEW RELEASE	VP	JTD	NO	1-28-16



NOTES:

- MOUNTING HOLE SIZE: \varnothing .287 [7.3]
- MAXIMUM PANEL THICKNESS: .236 [6]
- MATERIALS:
 - METAL HOUSING: BRASS, BRIGHT CHROME PLATED.
 - MOUNTING HEX NUT: BRASS, NICKEL PLATED.
 - SPLIT LOCK WASHER: STEEL, NICKEL PLATED.
 - HEADER/INSULATOR: POLYCARBONATE, COLOR: BLACK.
- SOLDERABILITY: PER ANSI/IPC-S-805, METHOD A.
- DIALIGHT PART NO. 607-1112-802F
- RECOMMENDED MOUNTING TORQUE: 0.362 LBS/FT.
- RECOMMENDED OPERATING CURRENT: 15 mA

ABSOLUTE MAXIMUM RATING AT 25°C AMBIENT	RED	UNITS
CONTINUOUS FORWARD CURRENT	30	mA
PEAK PULSED FORWARD CURRENT	100	mA
REVERSE VOLTAGE ($I_R = 50 \mu A$)	3	V
OPERATING TEMPERATURE	-30 TO +85	°C
STORAGE TEMPERATURE	-30 TO +100	°C

OPERATING CHARACTERISTICS AT 25°C AMBIENT				
CHARACTERISTICS	TYP	MAX	UNITS	TEST CONDITIONS
LUMINOUS INTENSITY	20	—	mcd	$I_F = 20 \text{ mA}$
REVERSE CURRENT	—	50	μA	$V_R = 3 \text{ V}$
PEAK WAVELENGTH	630	—	nm	
FORWARD VOLTAGE	12	—	V	$I_F = 20 \text{ mA}$



ATTENTION:
OBSERVE PRECAUTIONS FOR
HANDLING ELECTROSTATIC
SENSITIVE DEVICES

THIS DRAWING AND THE CONTENTS HEREIN ARE CONFIDENTIAL AND THE SOLE PROPERTY OF DIALIGHT. REPRODUCTION OF THIS DRAWING OR CONSTRUCTION OF ANY PARTS WITHIN THIS DRAWING ARE FORBIDDEN WITHOUT THE WRITTEN CONSENT OF DIALIGHT.		
SCALE: 4.000 ALL DIM'S IN: INCHES (MM)	DRAWING NUMBER C-18247	REV A
TOLERANCES: UNLESS OTHERWISE SPECIFIED FRACTIONS: $\pm 1/64$ DECIMALS (.XX): $\pm .01$ DECIMALS (.XXX): $\pm .005$ DECIMALS (.XXXX): $\pm .0005$ ANGLES: $\pm 1^\circ$	TITLE 7mm RED LED PMI	
FINISH:	MATERIAL	
FSCM 83330	1501 ROUTE 34 SOUTH FARMINGDALE, NJ 07727	
SHEET 1 OF 1 FAMILY TABLE:		