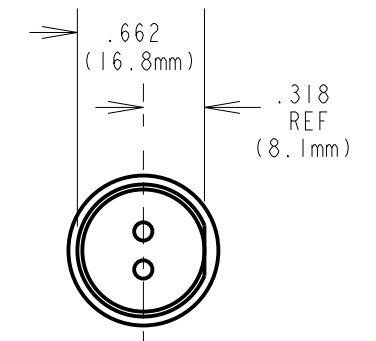
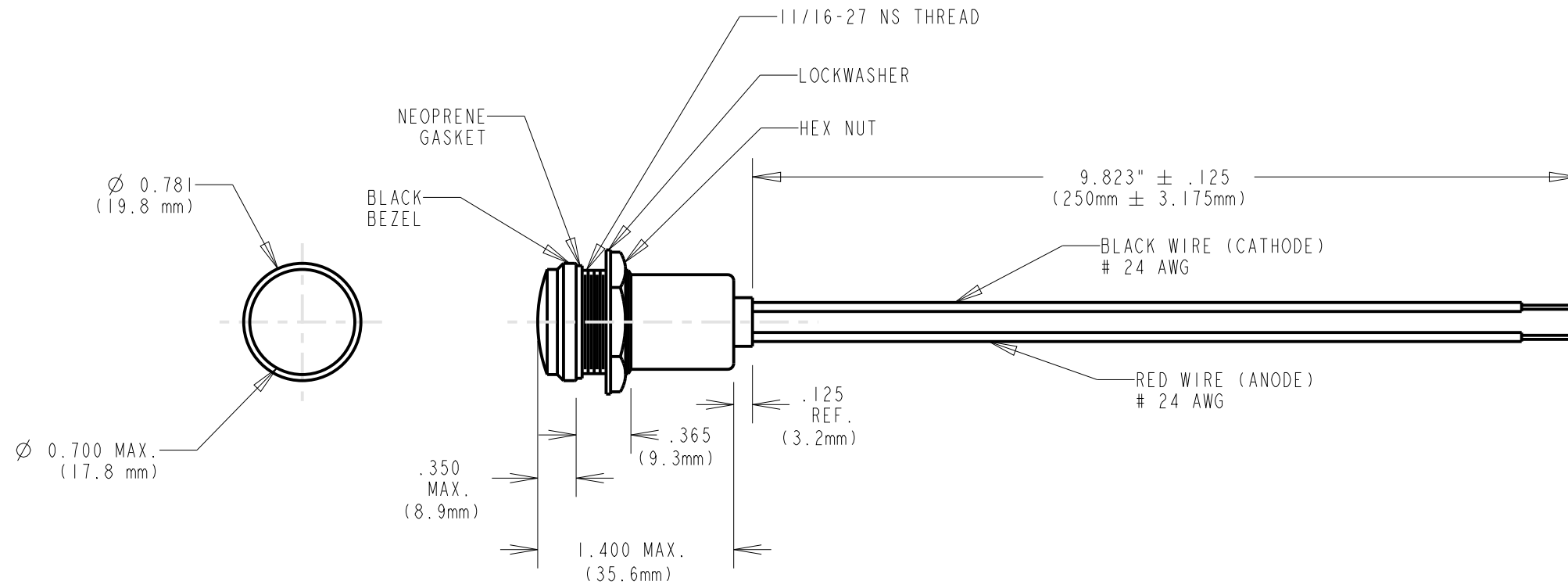
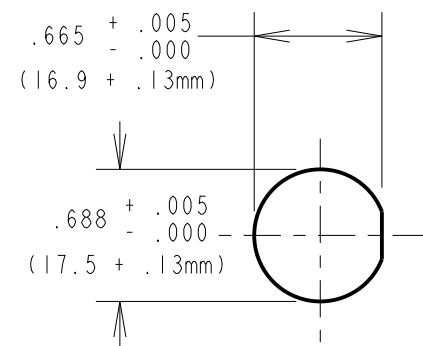


| PART NUMBER | COLOR | V _F TYP ^(V) | I _F TYP ^(mA) | INTENSITY (F _I) |
|---------------|--------|-----------------------------------|------------------------------------|-----------------------------|
| 557-1503-807F | RED | 12 V | 20 mA | 1000 |
| 557-1603-805F | GREEN | 12 V | 16 mA | 1000 |
| 557-1703-803F | YELLOW | 12 V | 28 mA | 1000 |

| REV | ECN NO | REVISIONS | DRN | CKD | APP | DATE |
|-----|--------|-------------------------|-----|-----|-----|---------|
| A | — | NEW RELEASE | CB | — | — | 2-14-05 |
| B | — | ADDED F SUFFIX IN P/N'S | BP | — | SK | 7-24-17 |



MAX. PANEL THICKNESS: .200
SPACING TO : 1.000



RECOMMENDED MOUNTING HOLE

- NOTES:
1. WIRE LEADS 24 AWG. 7/32 STRANDED PRE-BONDED. TYPE C MIL-W-16878D
 2. DIALIGHT PART NUMBER: PER SHOWN TABLE

| | | |
|---|--|---------------|
| THIS DRAWING AND THE CONTENTS HEREIN ARE CONFIDENTIAL AND THE SOLE PROPERTY OF DIALIGHT CORP. REPRODUCTION OF THIS DRAWING OR CONSTRUCTION OF ANY PARTS WITHIN THIS DRAWING ARE FORBIDDEN WITHOUT THE WRITTEN CONSENT OF DIALIGHT CORP. | | |
| SCALE: DRAWING SCALE ALL DIM'S: INCH (mm) | DRAWING NUMBER C-17207 | REV B |
| TOLERANCES: UNLESS OTHERWISE SPECIFIED FRACTIONS: ±1/64 DECIMALS (.XX): ±.01 DECIMALS (.XXX): ±.005 DECIMALS (.XXXX): ±.0005 ANGLES: ±1° | TITLE 11/16" MOUNTING HOLE WATERTIGHT PMI/250 mm LEADS | |
| FINISH | MATERIAL | |
| FSCM 83330 | 1501 ROUTE 34 SOUTH FARMINGDALE, NJ 07727 (732) 919-3119 www.dialight.com | |
| SHEET 1 OF 1 | | FAMILY TABLE: |