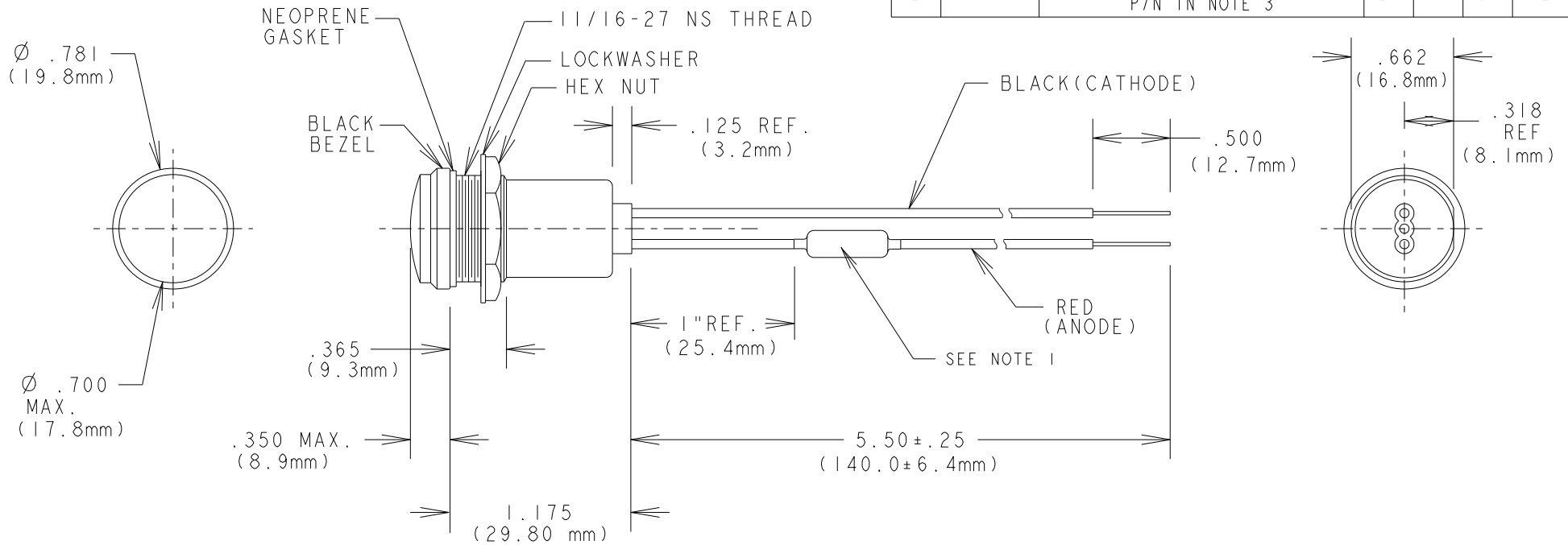
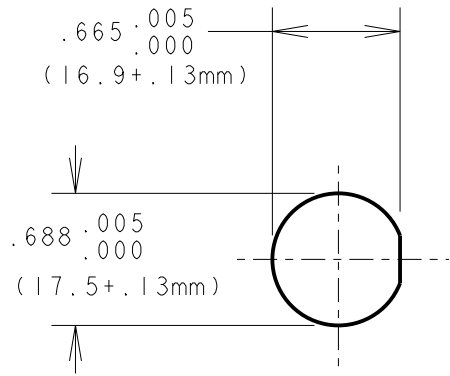


REV	ECN NO	REVISIONS	DRN	CKD	APP	DATE
A	---	NEW RELEASE	DC	---	---	---
B	---	ADDED F SUFFIX FOR DIALIGHT P/N IN NOTE 3	BP	---	SK	7-24-17



- NOTE:
1. IN-LINE RESISTOR COVERED WITH SHRINKABLE TUBING.
 2. ATTENTION: OBSERVE PRECAUTION FOR HANDLING ELECTROSTATIC SENSITIVE DEVICES.
 3. DIALIGHT PART NO. 557-0001-813F



MAX. PANEL THICKNESS: .200
 SPACING ϕ TO ϕ : 1.000


RECOMMENDED MOUNTING HOLE

PART NUMBER	COLOR	V _f (V)	I _f (mA) TYP	fL (TYP)*
557-0001-813	SUPER BRIGHT GREEN	37	15	1000

* 1 FOOT LAMBERT = 3.4 cd/M²

THIS DRAWING AND THE CONTENTS HEREIN ARE CONFIDENTIAL AND THE SOLE PROPERTY OF DIALIGHT CORP. REPRODUCTION OF THIS DRAWING OR CONSTRUCTION OF ANY PARTS WITHIN THIS DRAWING ARE FORBIDDEN WITHOUT THE WRITTEN CONSENT OF DIALIGHT CORP.

DIALIGHT CORP. INTERNAL REFERENCE ONLY = 3D MODEL : MODEL NAME-B-1

SCALE: SCREWING SCALE ALL DIM'S: INCH (mm)	DRAWING NUMBER C-16630	REV B
TOLERANCES: UNLESS OTHERWISE SPECIFIED FRACTIONS: ±1/64 DECIMALS ((XXX)): ±0.020 DECIMALS ((XXXX)): ±0.0015 DECIMALS (.XXXX): ±.0005 ANGLES: ±3°	TITLE MULTI LED PMI, WATERTIGHT	
FINISH	MATERIAL	
FSCM 83330	 1501 ROUTE 34 SOUTH FARMINGDALE, NJ 07727 (732) 919-3119 www.dialight.com	
SHEET 1 OF 1 FAMILY TABLE:		