



## TowerPro SG90C 360 Degree Micro Servo (1.6Kg)

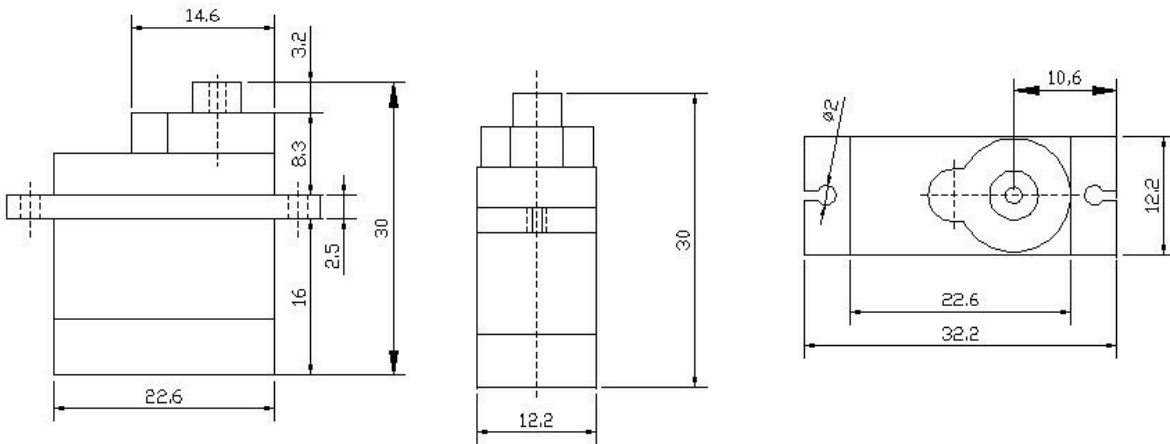
SKU:SER0043



### INTRODUCTION

The TowerPro SG90C is a 360 degree micro servo. It uses a plastic gear drive and is light and compact. It can be used for various applications and DIY products, such as toy cars, boats, windmills etc.

A 360 degree servo's operation is more similar to a DC motor than a standard servo as only rotation direction and speed can be controlled. There is also no hardware stop inside so that the shaft can rotate freely. Compared to an ordinary DC motor, a 360-degree servo motor does not require additional motor drivers and is plug and play, compact and convenient. Arduino control methods are also the same. When the servo is operating on the 4.8 ~ 6V power supply, the torque can reach 1.2 ~ 1.6Kg x cm



## SPECIFICATION

- Operating Voltage: 3.5 - 6.0V
- Supply Voltage: 4.8V ~ 6.0V
- Dead Zone Width: 5usec
- Working Speed: 0.12sec/60 (4.8V no load)
- Stall Torque: 1.2kg/cm (4.8V), 1.6kg/cm (6.0V)
- Neutral Location: 1500us
- Interface Description:
- Brown: GND
- Red: VCC
- Orange: S
- Cable Length: 250mm
- Operating Temperature: -30°C to + 60°C
- Dimensions: 22.6 x 12.2 x 30 mm /0.89x0.48x1.18"
- Weight: 9±1g

## SHIPPING LIST

- TowerPro SG90C 360 Degree Micro Servo (1.6Kg) x1
- Accessories x1