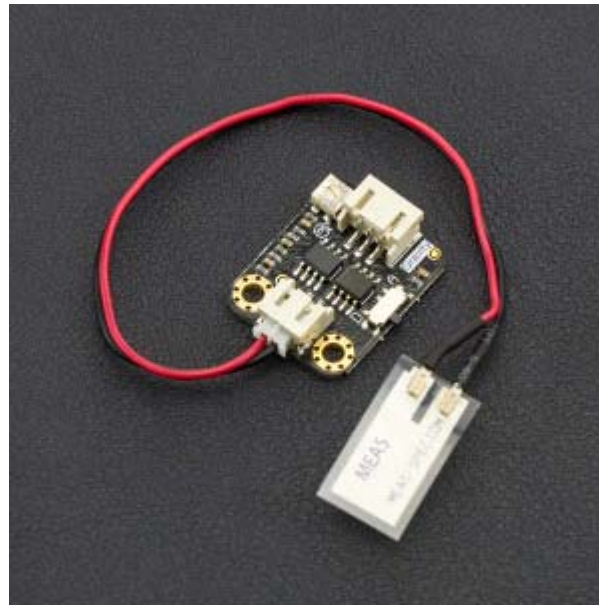


# Gravity: Flexible Piezo Film Vibration Sensor

## SKU: SEN0209



### Introduction

This is an Arduino compatible piezo film vibration sensor. It is made up of flexible piezo film and converter board. The sensor is able to detect vibration, flexibility, impact and touch.

The film is a flexible component comprising a 28  $\mu\text{m}$  thick piezoelectric PVDF polymer film with screen-printed Ag-ink electrodes, laminated to a 0.125 mm polyester substrate, and fitted with two crimped contacts. As the piezo film is displaced from the mechanical neutral axis, bending creates very high strain within the piezo polymer and therefore high voltages (about  $\pm 90\text{V}$ ) are generated. When the assembly is deflected by direct contact, the device acts as a flexible "switch", and the generated output is sufficient to trigger MOSFET or CMOS stages directly.

The module uses universal Gravity 3Pin interface, easy plug, plug and play. It comes with Digital/Analog two kinds of output signal, suitable for all kinds of different applications. The piezo vibration sensor is not only able to detect strong shocks, but also to detect slight vibrations. There is an on-board sensitivity adjustment potentiometer, you can adjust it to increase/decrease the output threshold value.

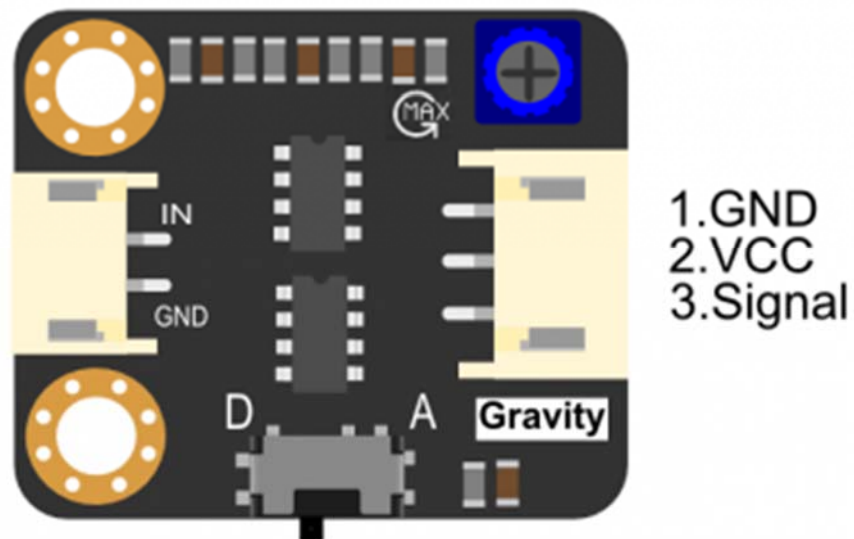
Meanwhile, the piezo film sensor has a wide dynamic range (0.001Hz~1000MHz) also guarantees an excellent measuring performance.

## Specification

- Operating Voltage: 5V
- Interface Type: Gravity PH2.0 3Pin interface
- Operating Temperature: 0 ° C to 85 ° C
- Storage Temperature: -40 ° C to 85 ° C
- Dimension: 27mm \* 22mm
- Weight: 10 g

## Board Overview

Num	Label	Description
1	GND	GND
2	VCC	VCC
3	Signal	Signal



Flexible Piezo Film Vibration Sensor

# Tutorial

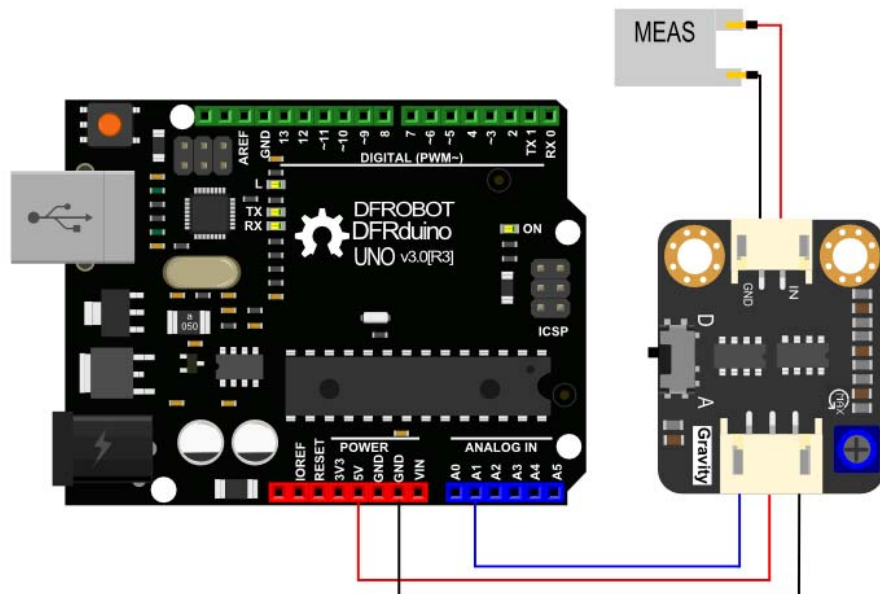
In this tutorial, we'll show you the sensor usage. Watch the serial monitor and LED "L" state.

**Note:** The sensitivity potentiometer control the output threshold. When it rotates towards "MAX" direction, it need more swing to trigger sensor.

## Requirements

- **Hardware**
  - DFRduino UNO x1
  - Flexible Piezo Film Vibration Sensor x1
  - M-M/F-M/F-F Jumper wires
- **Software**
  - Arduino IDE, Click to Download Arduino IDE from Arduino®  
<https://www.arduino.cc/en/Main/Software%7C>

## Connection Diagram

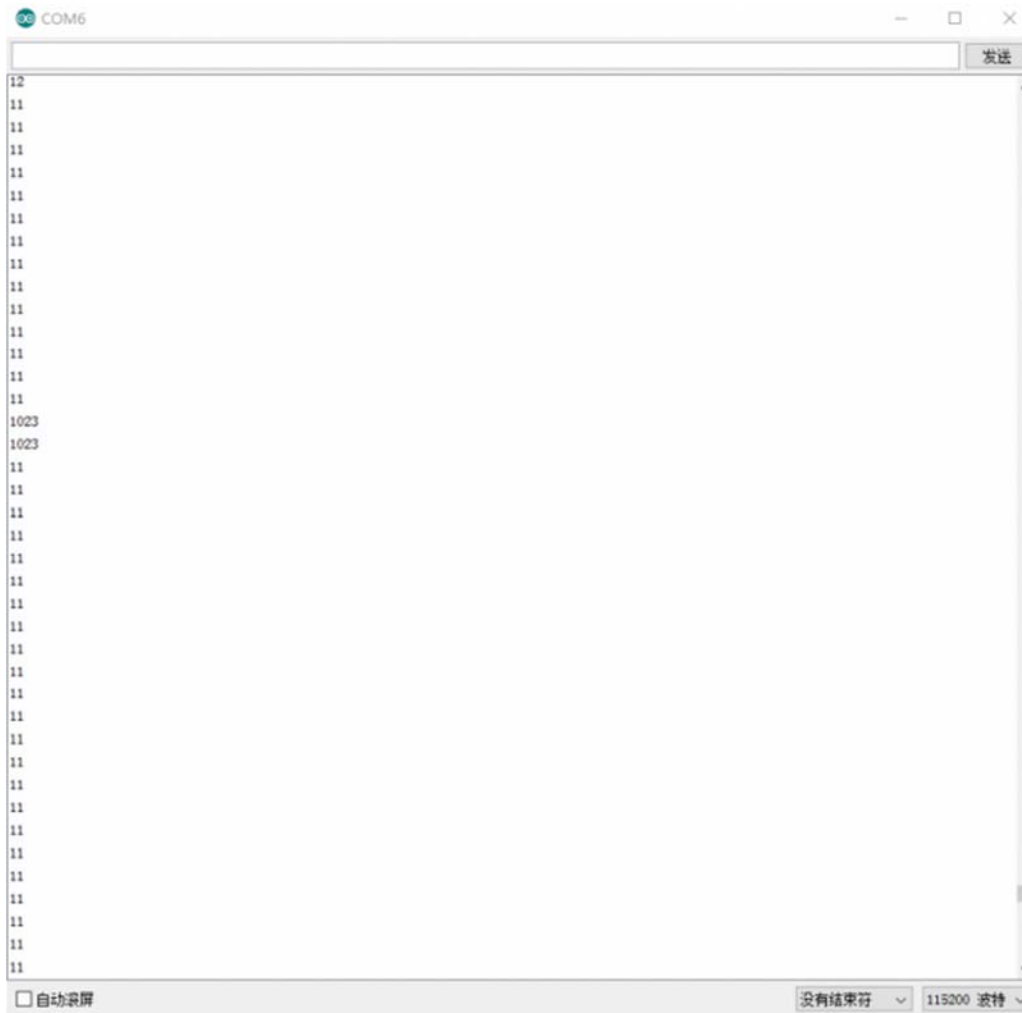


**Note:** Turn the switch to "D" side

## Sample Code

```
/* *****  
 * Piezo Vibration Sensor  
 * *****  
 * This example The sensors detect vibration  
  
 * @author linfeng(490289303@qq.com)  
 * @version V1.0  
 * @date 2016-2-26  
  
 * GNU Lesser General Public License.  
 * See <http://www.gnu.org/licenses/> for details.  
 * All above must be included in any redistribution  
 * *****/  
#define sensorPin A1  
#define ledPin 13  
void setup() {  
    Serial.begin(115200);  
    pinMode(ledPin,OUTPUT);  
}  
  
void loop() {  
    int x=analogRead(sensorPin);  
    Serial.println(x);  
    if(x>500)digitalWrite(13,HIGH);  
    else digitalWrite(13,LOW);  
    delay(50);  
}
```

## Expected Results



For any questions, advice or cool ideas to share, please visit the **DFRobot Forum**.