



Steam Sensor (SKU:SEN0121)



Contents

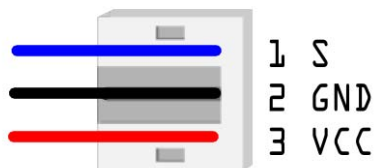
- [1 Introduction](#)
 - [1.1 Applications](#)
 - [1.2 Specification](#)
 - [1.3 Connection Diagram](#)
 - [1.4 Sample Code](#)

Introduction

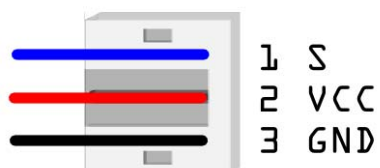
This is a steam sensor from DFRobot. This steam sensor can be connected to the Arduino IO Expansion shield directly. The output voltage will increase when the humidity of the sensor surface goes up.

Notice:The new version of analog sensor port pin mapping has been changed as the following two features.

old version



new version



Warning: The connector is not waterproof, please be careful not to put the connector directly in water.

Applications

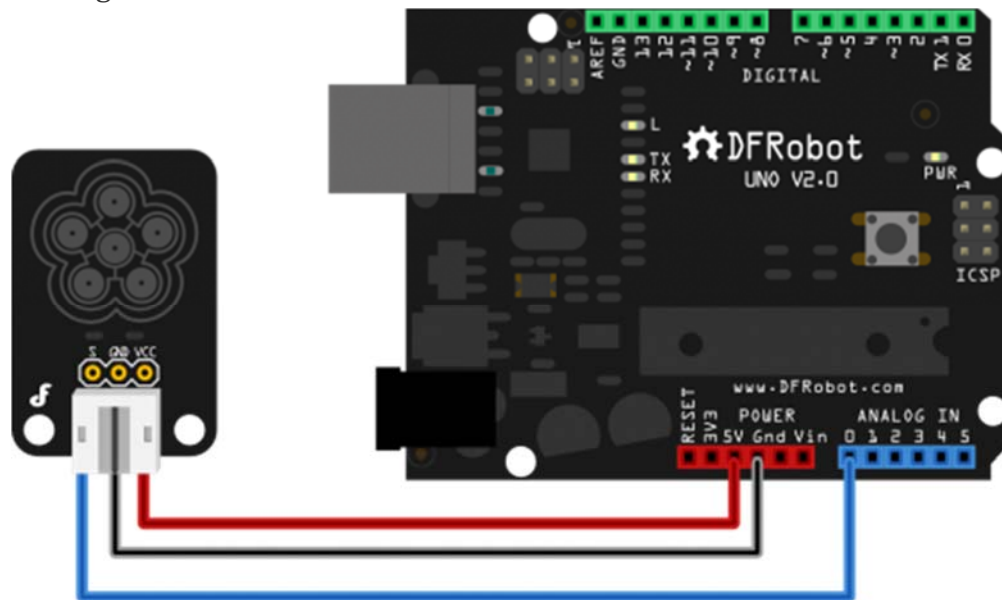
Simple rain detector Cheap steam level switch Touch sensor based on humidity

Warning: The connector is not waterproof, please be careful not to put the connector directly in water.

Specification

- Power supply: 3.3v or 5v
- Output voltage signal: 0~4.5v(@5v) or 0~3.0v(@3.3v)
- Pin definition:
 - Analog output(Blue wire)
 - GND(Black wire)
 - Power(Red wire)
- Size: 30x20x6mm

Connection Diagram



Stream_Sensor Connection Diagram

Sample Code

```
<source lang="cpp"> /*****
```

```
Connection:
```

```
VCC-5V
```

```
GND-GND
```

```
S-Analog pin 0
```

```
You can put the sensor on your palm,  
it may sense the humidity of your palm  
*****/
```

```
void setup() {
```

```
Serial.begin(9600); // open serial port, set the baud rate to 9600 bps
```

```
} void loop() {
```

```
int sensorValue;
```

```
sensorValue = analogRead(0); //connect Steam sensors to Analog 0
```

```
Serial.println(sensorValue); //print the value to serial
```

```
delay(200);
```