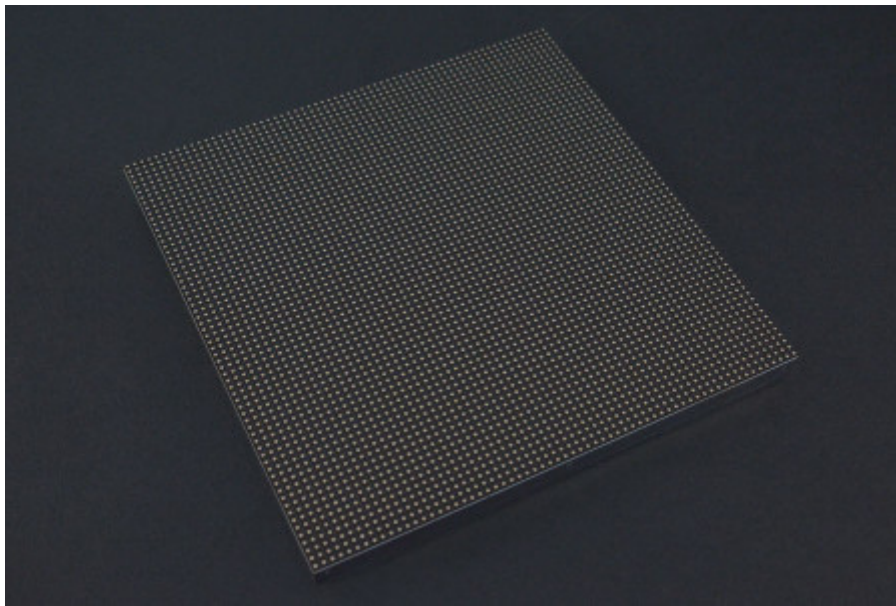


64x64 RGB LED Matrix Panel (3mm pitch) SKU:DFR0499



INTRODUCTION

City night is always beautiful. She is just like a charming girl, showing her beauty every time. The colorful light is jewelry, dotted on her dress.

This is a 64x64 RGB LED Matrix Panel, it has 4096 full-color RGB LEDs in all. Each LED can be independently addressed and controlled. It requires at least 13 digital GPIOs to control the LED matrix. So the UNO board won't be a good choice in this application, recommended Mega 2560, Raspberry Pi and the other kinds of microcontroller with large RAM and high speed.

The led matrix has 2 IDC connectors (DATA_IN, DATA_OUT) on the back, you can cascade multiple panels and make a huge screen together. BUT Arduino doesn't support this function, its speed is not enough to multiple panel. What's more, it is a high brightness, long life, no pollution, pure color LED display module. It can be used both indoor and outdoor, safety and stability, the module can not be mutually extrusion deformation, also can be used normally in harsh environment.

Note: This panel needs a 5V@5A power supply.

SPECIFICATION

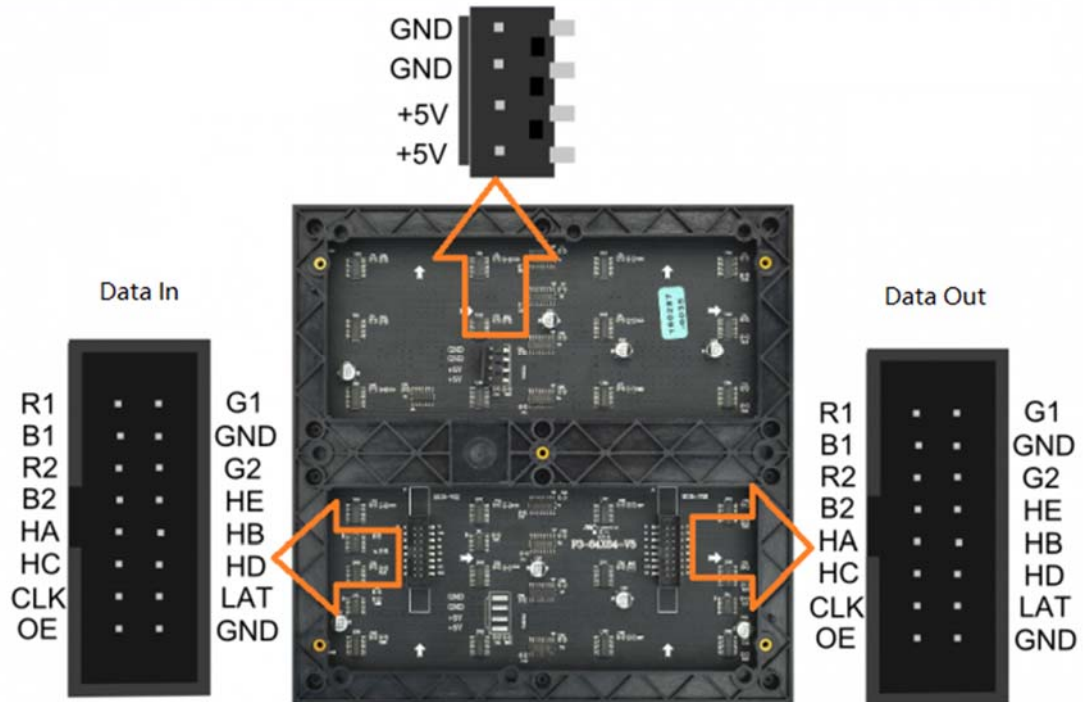
- Operating voltage: DC 5V
- Average power consumption: <500W/m²
- Maxim Power Consumption: <1000w/m²
- Pixel: 64x64=4096
- Level of viewing Angle: $\geq 160^\circ$
- Control mode: Synchronous control
- Drive mode: 1/16 scan rate
- Repetition frequency: $\geq 60\text{Hz}$
- White Balance Brightness: $\geq 1200\text{cd/m}^2$
- Refresh frequency : $\geq 300\text{Hz}$
- MTTF: ≥ 5000 hours
- Service Life: 75000~100000 hours
- Pixel pitch: 3mm
- Dimension: 190 * 190 * 14.5 mm / 7.48 * 7.48 * 0.57 inches
- Thickness: 11mm

SHIPPING LIST

- 64x64 RGB LED Matrix Panel (3mm pitch) x1
- IDC to XH2.54 cable x1
- IDC to IDC cable x1
- Power supply cable x1

Board Overview

Note : The pin order of DATA-IN and DATA-OUT is same, POWER SUPPLY 5V.



DATA-IN and DATA-OUT		
Label	Name	Function
1	DR1	High R data
2	DG1	High G data
3	DB1	High B data
4	GND	GND
5	DR2	Low R data
6	DG2	Low G data
7	DB2	Low B data
8	GND	GND
9	A	A line selection
10	B	B line selection

11	C	C line selection
12	D	D line selection
13	CLK	CLOCK
14	LAT	LATCH
15	OE	Output Enable
16	GND	GND
POWER		
Label	Name	Function
1	VCC	5V
2	VCC	5V
3	GND	GND
4	GND	GND

Tutorial

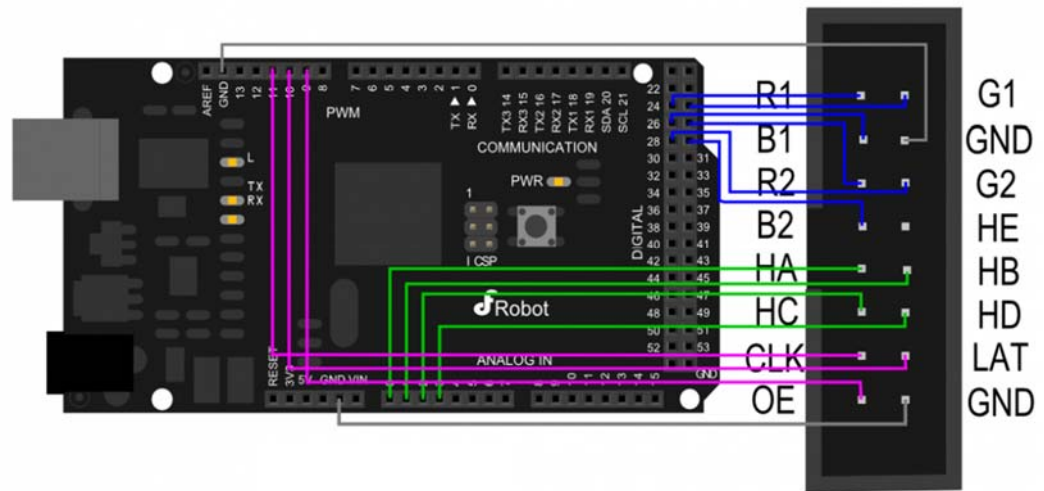
According to the pinout to connect, then upload the code to Mega2560, you will be able to see a beautiful display effect.

Requirements

- **Hardware**
DFRduino Mega R3 x1
DFR0471 x1
DuPont cables
- **Software**
Arduino IDE [Click to Download Arduino IDE from Arduino®](#)

<https://www.arduino.cc/en/Main/Software%7C>

Connection Diagram



DFR0499 Connection Diagram



Note: It needs an external power supply, the USB is only 5V@500mA, not enough power to drive the screen

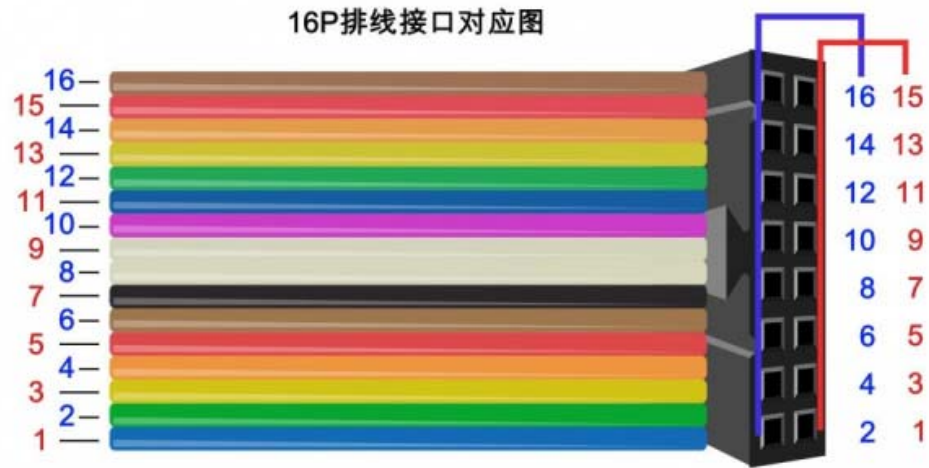
/ ***** Control signal pin connected to MEGA2560 ***** /

R1-> 24 G1-> 25 B1-> 26
 R2-> 27 G2-> 28 B2-> 29
 HA-> A0 HB-> A1 HC-> A2 HD-> A3 HE-> A4
 OE-> 9 LAT-> 10 CLK-> 11
 GND-> GND

/ ***** Power Interface ***** /

+ 5V -> + 5V DC power supply positive
 + 5V -> + 5V DC power supply positive
 GND-> DC power supply negative
 GND-> DC power supply negative

16P Interface Diagram



DFR0499 16P Pinout

Sample Code 1

Please download DFRobot_RGBMatrix library first

https://github.com/DFRobot/DFRobot_RGBMatrix

```
#include <DFRobot_RGBMatrix.h> // Hardware-specific library
#include <Wire.h>

#define OE      9
#define LAT     10
#define CLK     11
#define A       A0
#define B       A1
#define C       A2
#define D       A3
#define E       A4
#define WIDTH   64
#define HIGH    64

int a=0;

int b=16;

DFRobot_RGBMatrix matrix(A, B, C, D, E, CLK, LAT, OE, false, WIDTH, HIGH);
```

```

void setup()
{
  matrix.begin();
  // fill the screen with 'black'
  matrix.setTextSize(1);    // size 1 == 8 pixels high
  matrix.fillScreen(matrix.Color333(0, 0, 0));
  delay(500);
}

void loop()
{  byte i;
   if(a<=-64)
   {a=64;
    }
   if(b<=-48)
   {b=80;
    }
   matrix.fillScreen(0); //clear the screen
   matrix.setTextSize(2); //Set as 16*16 pixel
   matrix.setCursor(15, a); // start at top left, with 8 pixel
of spacing
   matrix.setTextColor(matrix.Color333(4, 0, 4)); //
   matrix.println("DFR"); //
   matrix.setTextSize(1); //Set as 8*8 pixel
   matrix.setCursor(12, b);
   matrix.println("DFROBOT");
   matrix.setTextSize(1);
   matrix.print("Let's join hands with each other to create a future"
);
   delay(600);
   a=a-6;
   b=b-6;
}

```

Sample Code 2

Click to download the library Adafruit-GFX-Library. RGB-matrix-Panel. How to install the library?

https://github.com/DFRobot/DFRobot_RGBMatrix

https://github.com/DFRobot/DFRobot_RGBMatrix

<http://www.dfrobot.com.cn/community/forum.php?mod=viewthread&tid=1854&page=1&extra=#pid6955>

```
/*
 *
 * For 32x32 RGB LED matrix.
 *
 * @author lg.gang
 * @version V1.0
 * @date 2016-10-28
 *
 * GNU Lesser General Public License.
 * See <http://www.gnu.org/licenses/> for details.
 * All above must be included in any redistribution
 * *****/

#include <Adafruit_GFX.h> // Core graphics library
#include <RGBmatrixPanel.h> // Hardware-specific library

// If your 32x32 matrix has the SINGLE HEADER input,
// use this pinout:
#define CLK 8 // MUST be on PORTB! (Use pin 11 on Mega)
#define OE 9
#define LAT 10
#define A A0
#define B A1
#define C A2
#define D A3
```



```

// If your matrix has the DOUBLE HEADER input, use:
//#define CLK 8 // MUST be on PORTB! (Use pin 11 on Mega)
//#define LAT 9
//#define OE 10
//#define A A3
//#define B A2
//#define C A1
//#define D A0
RGBmatrixPanel matrix(A, B, C, D, CLK, LAT, OE, false);

void setup() {
    int x, y, hue;
    float dx, dy, d;
    uint8_t sat, val;
    uint16_t c;

    matrix.begin();

    for(y=0; y < matrix.width(); y++) {
        dy = 15.5 - (float)y;
        for(x=0; x < matrix.height(); x++) {
            dx = 15.5 - (float)x;
            d = dx * dx + dy * dy;
            if(d <= (16.5 * 16.5)) { // Inside the circle(ish)?
                hue = (int)((atan2(-dy, dx) + PI) * 1536.0 / (PI * 2.0));
                d = sqrt(d);
                if(d > 15.5) {
                    // Do a little pseudo anti-aliasing along perimeter
                    sat = 255;
                    val = (int)((1.0 - (d - 15.5)) * 255.0 + 0.5);
                } else
                {
                    // White at center
                    sat = (int)(d / 15.5 * 255.0 + 0.5);
                }
            }
        }
    }
}

```

```

        val = 255;
    }
    c = matrix.ColorHSV(hue, sat, val, true);
} else {
    c = 0;
}
matrix.drawPixel(x, y, c);
}
}
}

void loop() {
    // do nothing
}

```

Smample Code 3

```

/*****
*
* For 32x32 RGB LED matrix.
*
* @author lg.gang
* @version V1.0
* @date 2016-10-28
*
* GNU Lesser General Public License.
* See <http://www.gnu.org/licenses/> for details.
* All above must be included in any redistribution
* *****/

#include <Adafruit_GFX.h> // Core graphics library
#include <RGBmatrixPanel.h> // Hardware-specific library

```

```

// If your 32x32 matrix has the SINGLE HEADER input,
// use this pinout:
#define CLK 8 // MUST be on PORTB! (Use pin 11 on Mega)
#define OE 9
#define LAT 10
#define A A0
#define B A1
#define C A2
#define D A3

// If your matrix has the DOUBLE HEADER input, use:
// #define CLK 8 // MUST be on PORTB! (Use pin 11 on Mega)
// #define LAT 9
// #define OE 10
// #define A A3
// #define B A2
// #define C A1
// #define D A0
RGBmatrixPanel matrix(A, B, C, D, CLK, LAT, OE, false);

void setup() {

    matrix.begin();

    // whew!
}

void loop() {
    // fix the screen with red
    matrix.fillRect(0, 0, 32, 32, matrix.Color333(7, 0, 0));
    delay(500);
    // fix the screen with green
    matrix.fillRect(0, 0, 32, 32, matrix.Color333(0, 7, 0));
    delay(500);
    // fix the screen with blue

```

```
matrix.fillRect(0, 0, 32, 32, matrix.Color333(0, 0, 7));
delay(500);
// fix the screen with yellow
matrix.fillRect(0, 0, 32, 32, matrix.Color333(7, 7, 0));
delay(500);
// fix the screen with purple
matrix.fillRect(0, 0, 32, 32, matrix.Color333(7, 0, 7));
delay(500);
// fix the screen with cyan
matrix.fillRect(0, 0, 32, 32, matrix.Color333(0,7, 7));
delay(500);
// fix the screen with white
matrix.fillRect(0, 0, 32, 32, matrix.Color333(3, 3, 3));
delay(500);

// fill the screen with 'black'
matrix.fillRect(matrix.Color333(0, 0, 0));
// draw a pixel in solid white
matrix.drawPixel(0, 0, matrix.Color333(7, 7, 7));
delay(500);

// fix the screen with green
matrix.fillRect(0, 0, 32, 32, matrix.Color333(0, 7, 0));
delay(500);

// draw a box in yellow
matrix.drawRect(0, 0, 32, 32, matrix.Color333(7, 7, 0));
delay(500);

// draw an 'X' in red
matrix.drawLine(0, 0, 31, 31, matrix.Color333(7, 0, 0));
matrix.drawLine(31, 0, 0, 31, matrix.Color333(7, 0, 0));
delay(500);
```

```
// draw a blue circle
matrix.drawCircle(10, 10, 10, matrix.Color333(0, 0, 7));
delay(500);

// fill a violet circle
matrix.fillCircle(21, 21, 10, matrix.Color333(7, 0, 7));
delay(500);

// fill the screen with 'black'
matrix.fillScreen(matrix.Color333(0, 0, 0));

// draw some text!
matrix.setCursor(1, 0); // start at top left, with one pixel
of spacing
matrix.setTextSize(1); // size 1 == 8 pixels high
matrix.setTextWrap(false); // Don't wrap at end of line - will
do ourselves

matrix.setTextColor(matrix.Color333(0,7,0));
matrix.println("green");
matrix.setTextColor(matrix.Color333(0,7,7));
matrix.println("robot");

// print each letter with a rainbow color
matrix.setTextColor(matrix.Color333(7,0,0));
matrix.print('3');
matrix.setTextColor(matrix.Color333(7,4,0));
matrix.print('2');
matrix.setTextColor(matrix.Color333(7,7,0));
matrix.print('x');
matrix.setTextColor(matrix.Color333(4,7,0));
matrix.print('3');
matrix.setTextColor(matrix.Color333(0,7,0));
matrix.println('2');
```

```
matrix.setTextColor(matrix.Color333(0,7,7));  
matrix.print('*');  
matrix.setTextColor(matrix.Color333(0,4,7));  
matrix.print('R');  
matrix.setTextColor(matrix.Color333(0,0,7));  
matrix.print('G');  
matrix.setTextColor(matrix.Color333(4,0,7));  
matrix.print('B');  
matrix.setTextColor(matrix.Color333(7,0,4));  
matrix.print('*');  
delay(5000);  
}
```

Expected Results

- Sample Code 1: Character Display
- Sample Code 2: A color filled circle
- Sample Code 3: The LED module will take turns display: a white point, full screen green, full screen yellow, a yellow rectangle, a yellow rectangle, a red X and a blue circle,

FAQ

For any questions, advice or cool ideas to share, please visit the **DFRobot Forum**.